

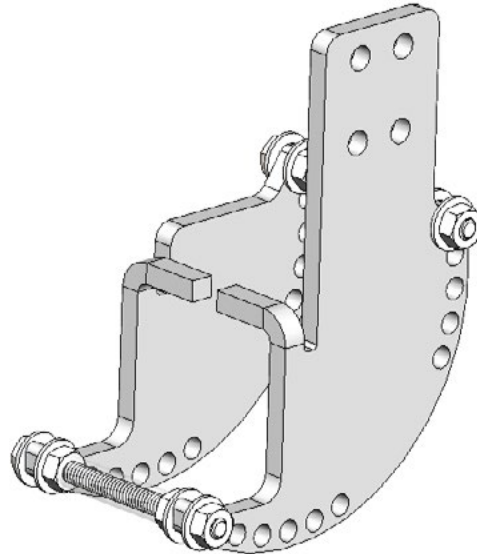


# INSTALLATION GUIDE

## 21-24/CHEVY-GMC

### SHUTTER MOTOR BRACKET

AC4400901NA



#### TOOLS REQUIRED

- (Allen) 5/32
- (Wrench) 7/16
- (Socket) 7/16
- (Drill Bit) 3/8
- Drill



#### TIME REQUIRED

- 20 Minutes



#### SKILL LEVEL

-Easy/Intermediate

## ⚠️ WARNINGS/CAUTIONS BEFORE STARTING INSTALLATION ⚠️

-BEFORE YOU INSTALL THIS KIT-

**Read and understand all instructions,**

warnings, cautions, & notes contained in this installation instruction guide. Consult your vehicle owner's manual for proper disconnection of electrical and lifting of vehicle if required for installation of this product.

This install may require some technical skills and knowledge of basic mechanical work. If you do not feel that you are capable of performing this install please take this product to a trained professional.

After reading this guide please contact us with any questions or concerns before installing product.

Customer Service (480) 671-0820

Additive desert designs is not responsible for any bodily injury or harm to you or your vehicle as a result of an improper install.

Proper installation of this kit required knowledge of the factory recommended procedures for removal and installation of original equipment components.

We recommend that the factory shop manual and any special tools needed to service your vehicle be on hand during the installation. Installation of this kit without proper knowledge of the factory recommended procedures may affect the performance of these

components and the safety of the vehicle. Inspect all contents of this package to make sure product is not damaged and all installation hardware has been included. If parts are missing from kit, please be prepared to provide the following information:

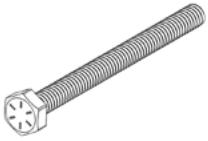
1. Name of purchase location
2. Bar Code on side of box
3. Date above bar code
4. Date inside box cover

**\*ALWAYS WEAR EYE PROTECTION WHEN OPERATING POWER TOOLS\***



## HARDWARE/PARTS

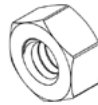
**A.**



1/4-20 X 3" HEX HEAD FULLY THREADED

QTY: 2

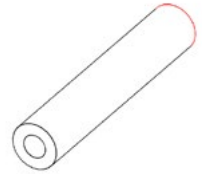
**A1.**



1/4-20" HEX NUT

QTY: 6

**A2.**



2" SECTION OF RUBBER TUBING

QTY: 2

**B.**



1/4-20 X 3/4" BUTTON HEAD

QTY: 2

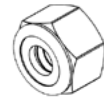
**B1.**



1/4" FLAT WASHER

QTY: 4

**B2.**



1/4-20" NYLON LOCK NUT

QTY: 2

Reference this page throughout the install



# INSTALLATION GUIDE

## SHUTTER MOTOR BRACKET 21-24/CHEVY-GMC

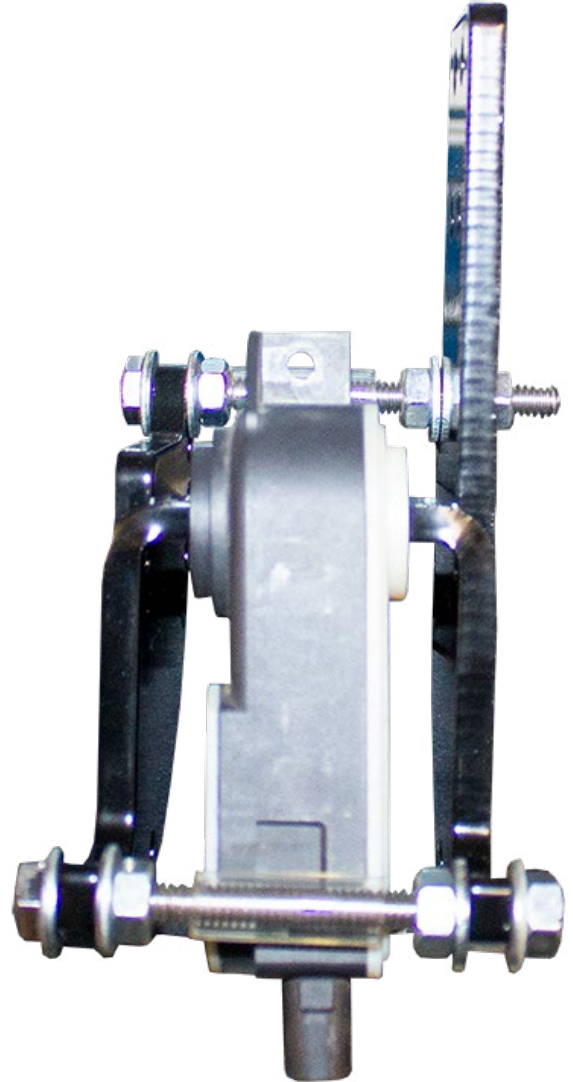
## INSTALL

### □ STEP 1

Using a (7/16 socket) and a (7/16 wrench), Assemble the shutter motor bracket as shown below by using (A, A1, A2) 1/4-20 X 3" hex head fully threaded bolt, 1/4-20" hex nut, 1/4" flat washer, and 2" rubber tubing.



A.  
A1.  
A2.

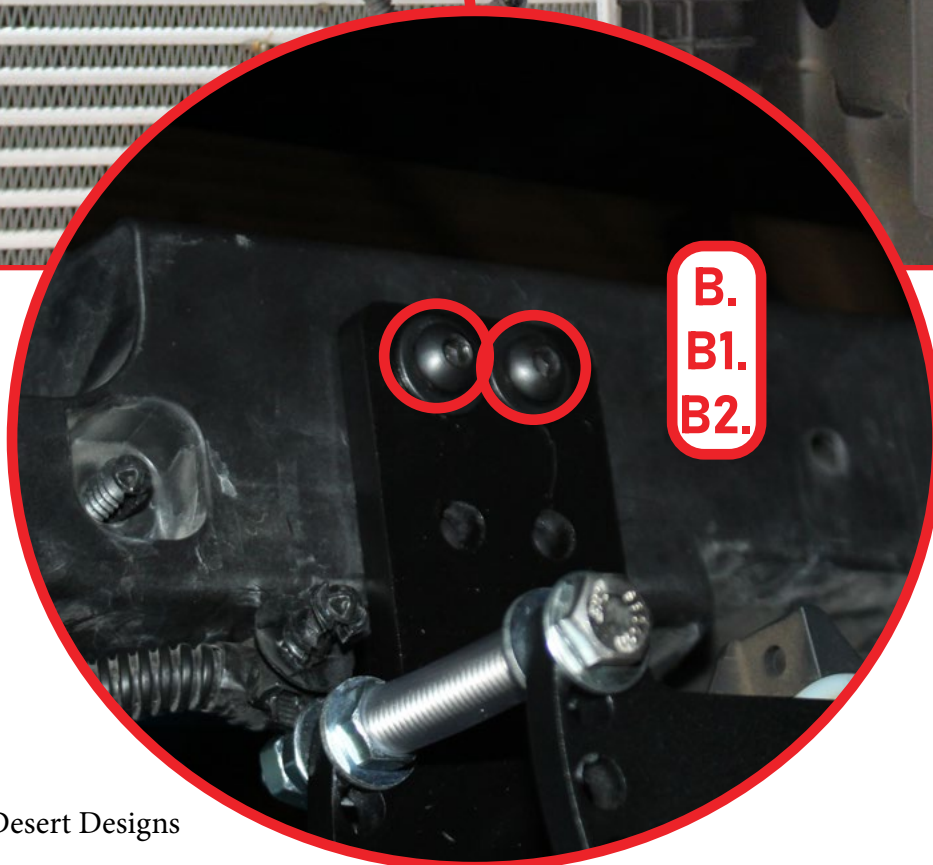
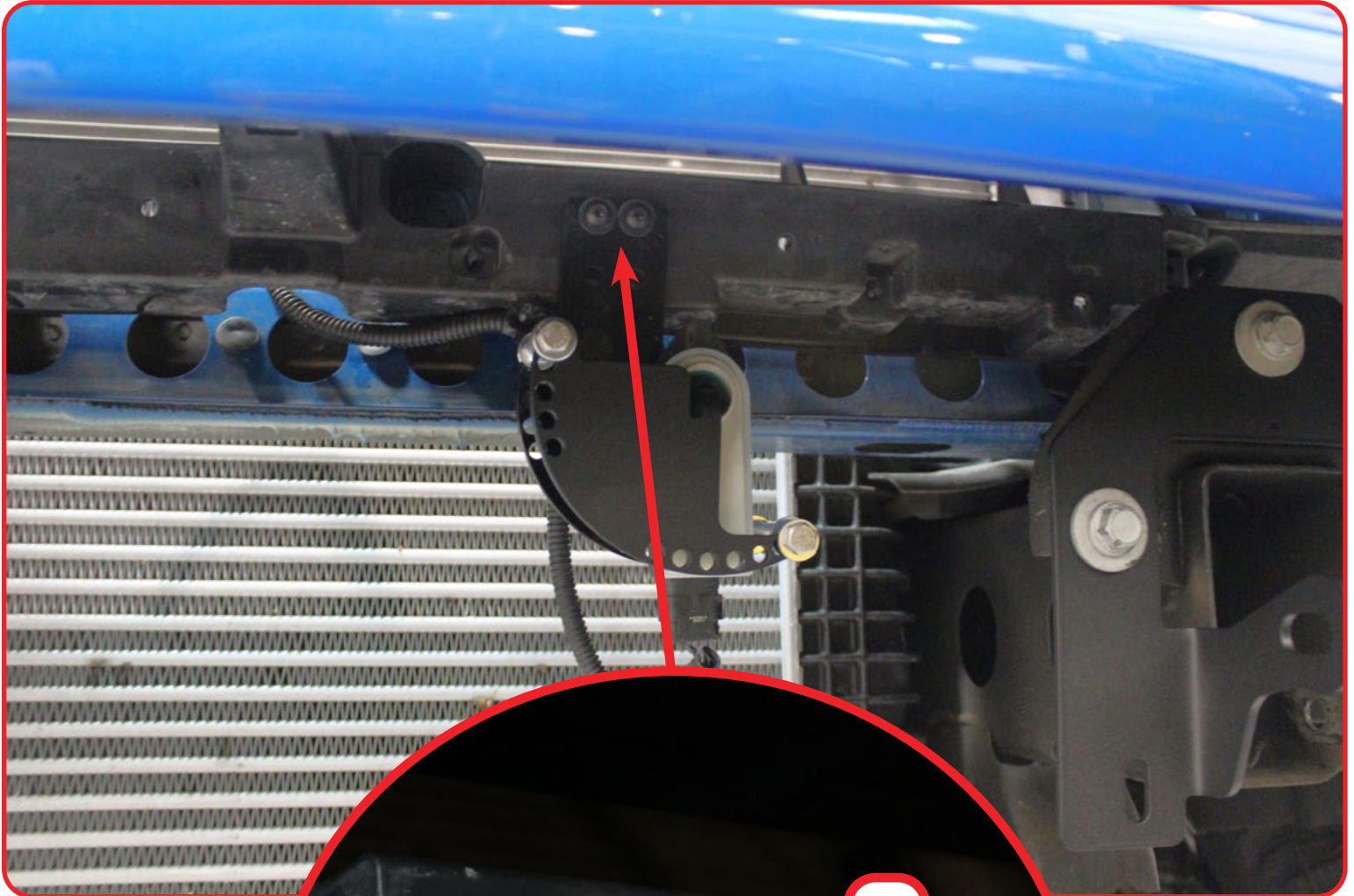


## SHUTTER MOTOR BRACKET 21-24/CHEVY-GMC

## INSTALL

### □ STEP 2

Using a (3/8 drill bit), drill two holes in the plastic as shown below. Next install the bracket by using the provided **(B, B1, B2)** 1/4-20 X 3/4" button head bolt, 1/4-20" nylon lock nut, and 1/4" flat washers with a (7/16 wrench) and a (5/32 allen).





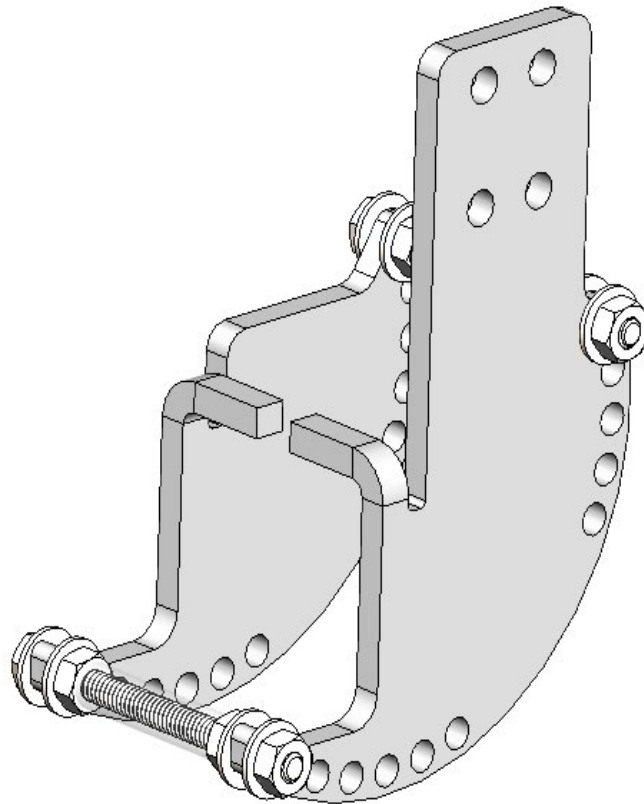
## SHUTTER MOTOR BRACKET 21-24/CHEVY-GMC

# FINAL

### □ STEP 3

Stand back and enjoy your new ADD Shutter Motor Bracket.

Check and re-tighten all mounting bolts after 100 miles and periodically thereafter.



THIS PRODUCT IS PROTECTED BY ONE OR MORE U.S. PATENTS  
[WWW.ADDICTIVEDESERTDESIGNS.COM/PATENTS](http://WWW.ADDICTIVEDESERTDESIGNS.COM/PATENTS)

FOR ADDITIONAL SUPPORT OR TECHNICAL QUESTIONS,  
PLEASE CALL 480-671-0820 OR  
EMAIL [INFO@ADDICTIVEDESERTDESIGNS.COM](mailto:INFO@ADDICTIVEDESERTDESIGNS.COM)