



INSTALLATION GUIDE

24/TOYOTA TACOMA

RACE SERIES CHASE RACK

C670013060103



TOOLS REQUIRED

- (Torx) T55
- (Allen) 7/32
- (Wrench) 9/16
- (Socket) 9/16
- Ratchet
- Step Up Drill Bit
- Wire Crimping Tool
- Razor Blade



SKILL LEVEL

-Medium/Skilled

****This installation requires wiring knowledge for best results****



TIME REQUIRED

- 1.5 hours for OEM Removal/Bumper Install
- 1 Additional Hour to Wire Lights

****Labor Rates are based on a vehicle with no pre-existing damage. Wiring labor is based on a standard wiring procedure with light switches installed in an easily accessible location. Custom light triggering or switch mounting location will result in a greater labor charge.****



INCLUDED IN KIT

- 8- MPL0022 Channel Nut
- 2- 3/8-16 X 1" Carriage Bolt
- 8- 3/8-16 X 1" Button Head Bolt
- 10- 3/8" Flat Washer
- 2- 3/8-16" Nylon Lock Nut
- 1- Toggle Switch
- 4- SRS0163 Bed Spacers

⚠️ WARNINGS/CAUTIONS BEFORE STARTING INSTALLATION ⚠️

-BEFORE YOU INSTALL THIS KIT-

Read and understand all instructions, warnings, cautions, & notes contained in this installation instruction guide. Consult your vehicle owner's manual for proper disconnection of electrical and lifting of vehicle if required for installation of this product.

This install may require some technical skills and knowledge of basic mechanical work. If you do not feel that you are capable of performing this install please take this product to a trained professional.

After reading this guide please contact us with any questions or concerns before installing product.

Customer Service (480) 671-0820

Addictive desert designs is not responsible for any bodily injury or harm to you or your vehicle as a result of an improper install.

Proper installation of this kit required knowledge of the factory recommended procedures for removal and installation of original equipment components.

We recommend that the factory shop manual and any special tools needed to service your vehicle be on hand during the installation. Installation of this kit without proper knowledge of the factory recommended procedures may affect the performance of these

components and the safety of the vehicle. Inspect all contents of this package to make sure product is not damaged and all installation hardware has been included. If parts are missing from kit, please be prepared to provide the following information:

1. Name of purchase location
2. Bar Code on side of box
3. Date above bar code
4. Date inside box cover

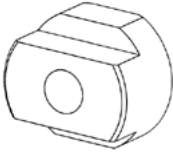
ALWAYS WEAR EYE PROTECTION WHEN OPERATING POWER TOOLS



INSTALLATION GUIDE

HARDWARE/PARTS

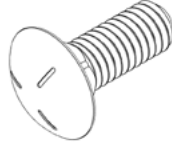
A.



MPL0022 CHANNEL NUT

QTY: 8

B.



3/8-16 X 1" CARRIAGE BOLT BLACK

QTY: 2

C.



3/8-16 X 1" BUTTON HEAD BOLT

QTY: 8

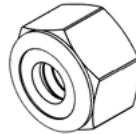
C1.



3/8" FLAT WASHER

QTY: 10

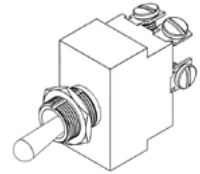
C2.



3/8-16" NYLON LOCK NUT

QTY: 2

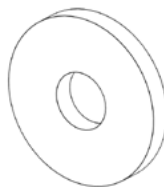
D.



TOGGLE SWITCH

QTY: 1

E.



SRS0163 BED SPACER

QTY: 4

Reference this page throughout the install



INSTALLATION GUIDE

RACE SERIES CHASE RACK 24/TOYOTA TACOMA

REMOVAL

□ STEP 1

Remove the bed rail caps as shown below.





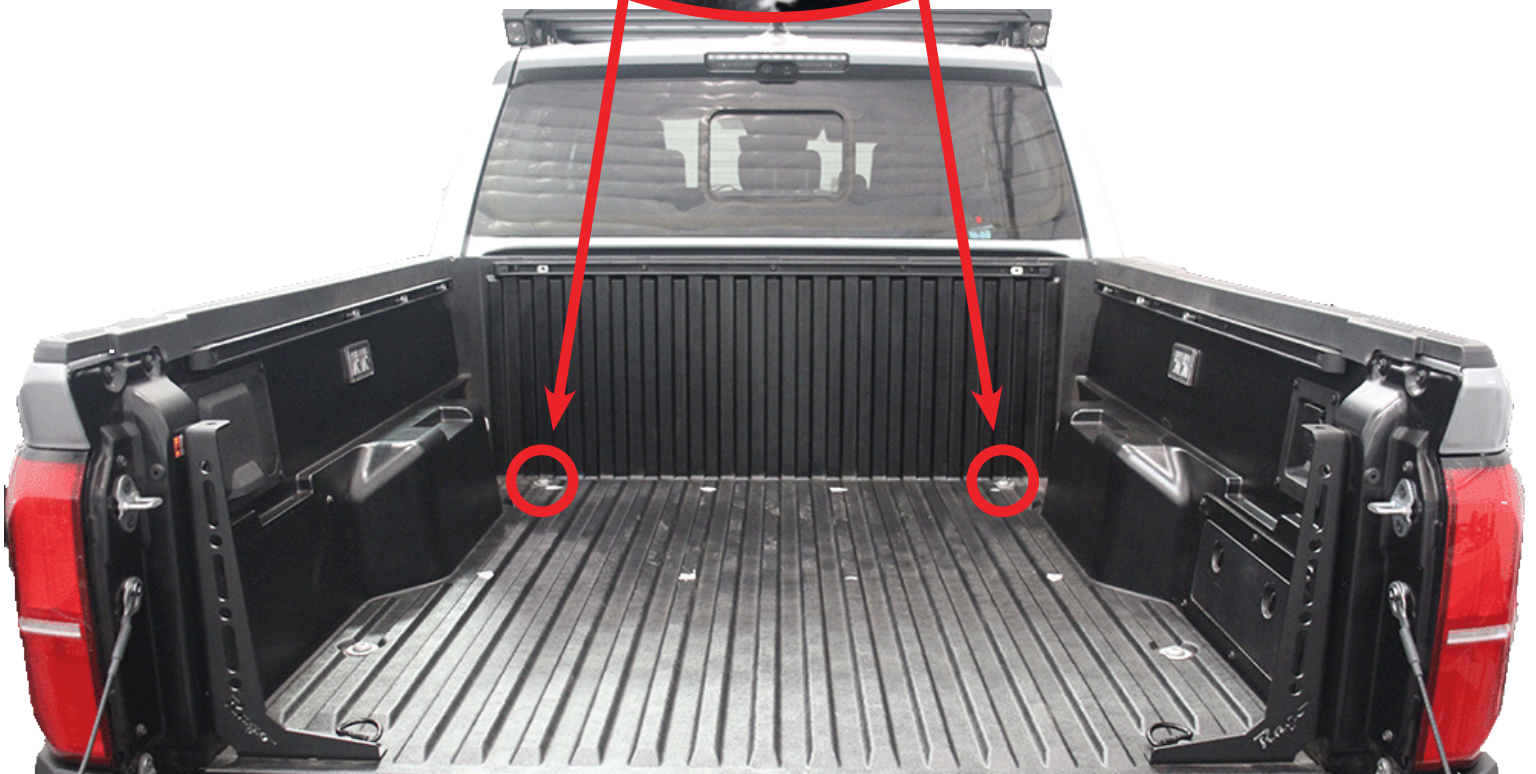
INSTALLATION GUIDE

RACE SERIES CHASE RACK 24/TOYOTA TACOMA

REMOVAL

□ STEP 2

Using a (T55 Torx) remove the 2x bed bolts closest to the cab.





INSTALLATION GUIDE

RACE SERIES CHASE RACK 24/TOYOTA TACOMA

INSTALL

□ STEP 3

Install the provided (A) nuts into the channel as shown below.





INSTALLATION GUIDE

RACE SERIES CHASE RACK 24/TOYOTA TACOMA

INSTALL

□ STEP 4

With a helping hand, install the chase rack and with the provided (C, C1) 3/8" hardware into the two rear mounting holes as shown below using a (7/32 allen).





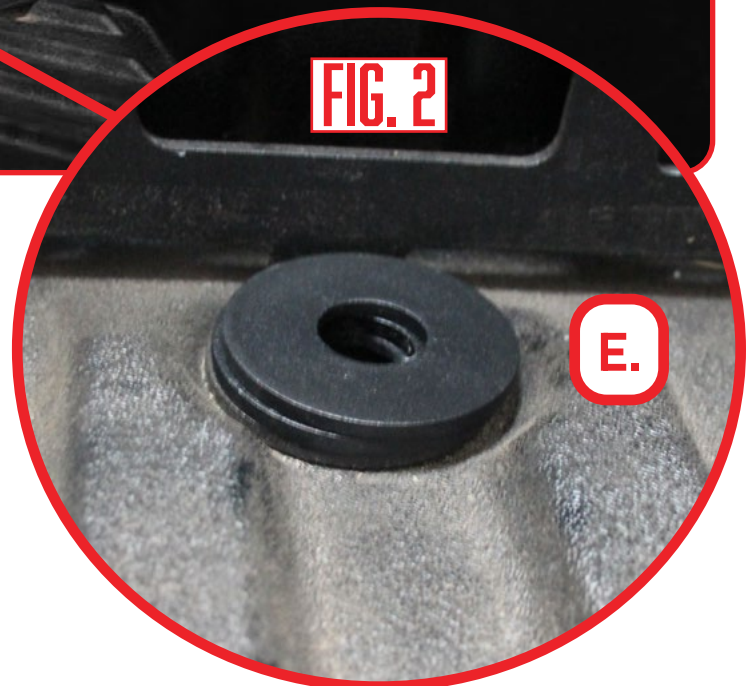
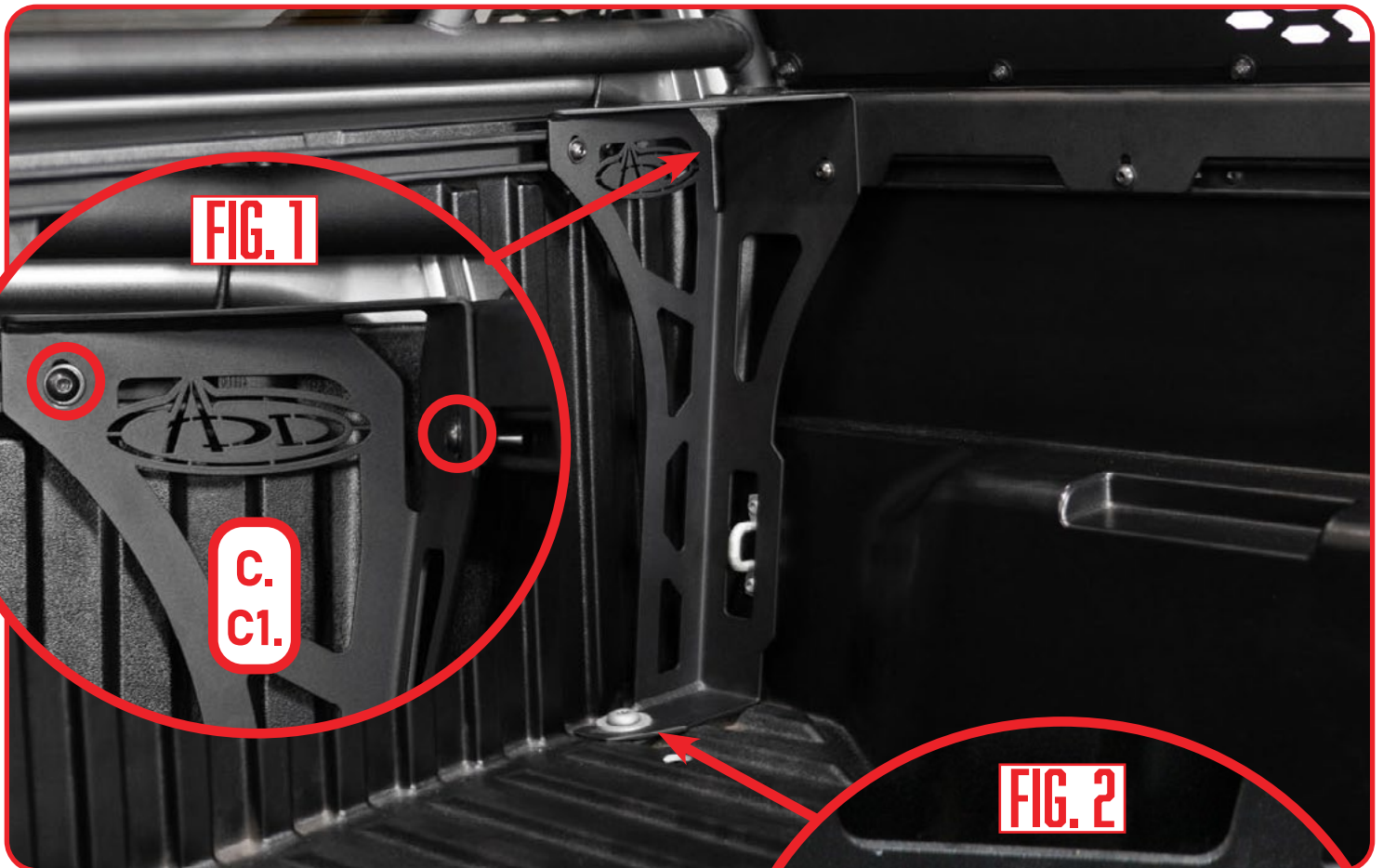
INSTALLATION GUIDE

RACE SERIES CHASE RACK 24/TOYOTA TACOMA

INSTALL

□ STEP 5

Next, install the side supports with the provided **(E)** spacers between the bottom of the support and the bed as shown on **fig 2** using a (T55 torx). Then install the provided **(C, C1)** 3/8" hardware into the nuts from **step 3** as shown in **fig 1** using a (7/32 allen).

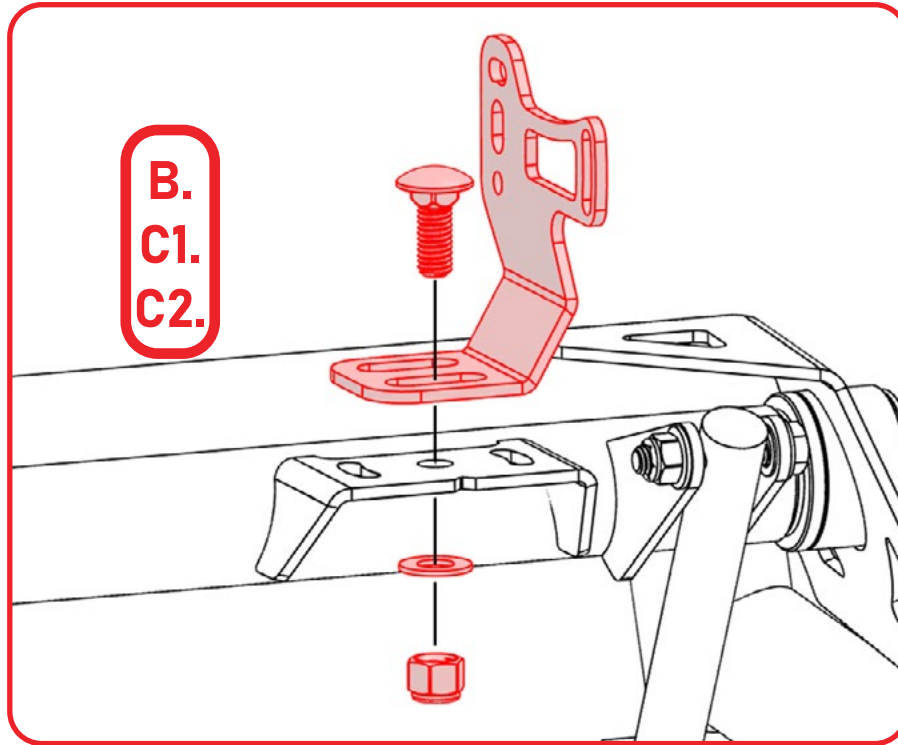


RACE SERIES CHASE RACK 24/TOYOTA TACOMA

INSTALL

□ STEP 6

Now would be a good time to install your light options. If you are running a light bar, install the supplied light brackets using the provided **(B, C1, C2)** 3/8" hardware using a (9/16 wrench).





RACE SERIES CHASE RACK 24/TOYOTA TACOMA

INSTALL

□ STEP 7

Run the harness along the chase rack to the passenger side. Line the black and red bare wires up with the black and red wires from the chase rack actuator. Use the butt connectors supplied with our harness to make this connection.



RACE SERIES CHASE RACK 24/TOYOTA TACOMA

INSTALL

□ STEP 8

Locate the panel shown below and select which open slot you would like to install your (D) toggle switch. Next using a (step up drill bit) drill a 7/16" hole and remove the panel to install the (D) toggle switch.



RACE SERIES CHASE RACK 24/TOYOTA TACOMA

INSTALL

□ STEP 9

Remove the cover as shown below by simply pulling up.



RACE SERIES CHASE RACK 24/TOYOTA TACOMA

INSTALL

□ STEP 10

Next, remove the cover shown below.



RACE SERIES CHASE RACK 24/TOYOTA TACOMA

INSTALL

□ STEP 11

Locate the rubber plug and using a (razor blade) cut a slot and feed the wire harness for the actuator installed in **step 7** from underneath the vehicle through the rubber plug.



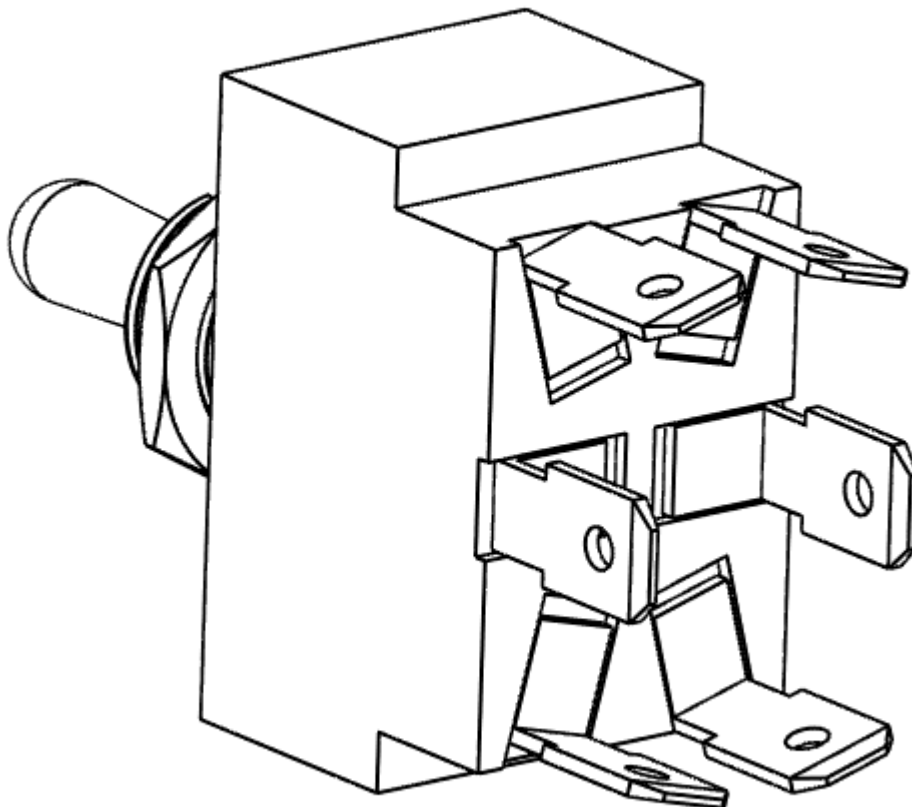
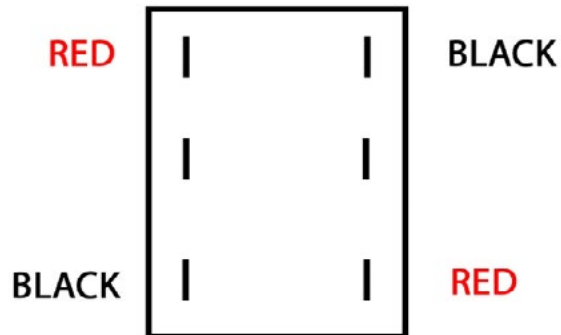


RACE SERIES CHASE RACK 24/TOYOTA TACOMA

INSTALL

□ STEP 12

On the back side of the switch, connect both red connections (from your chase rack harness) to opposite corners. Then, connect both black connections to the remaining opposite corners. Leave the middle posts unused for now.



RACE SERIES CHASE RACK 24/TOYOTA TACOMA

INSTALL

□ STEP 13

Find the secondary actuator harness. Connect this harness to the battery +. Route the harness around the back of the firewall to reach the driver side of the engine compartment. Then, pass it through the firewall at the rubber grommet shown in **fig 3**.



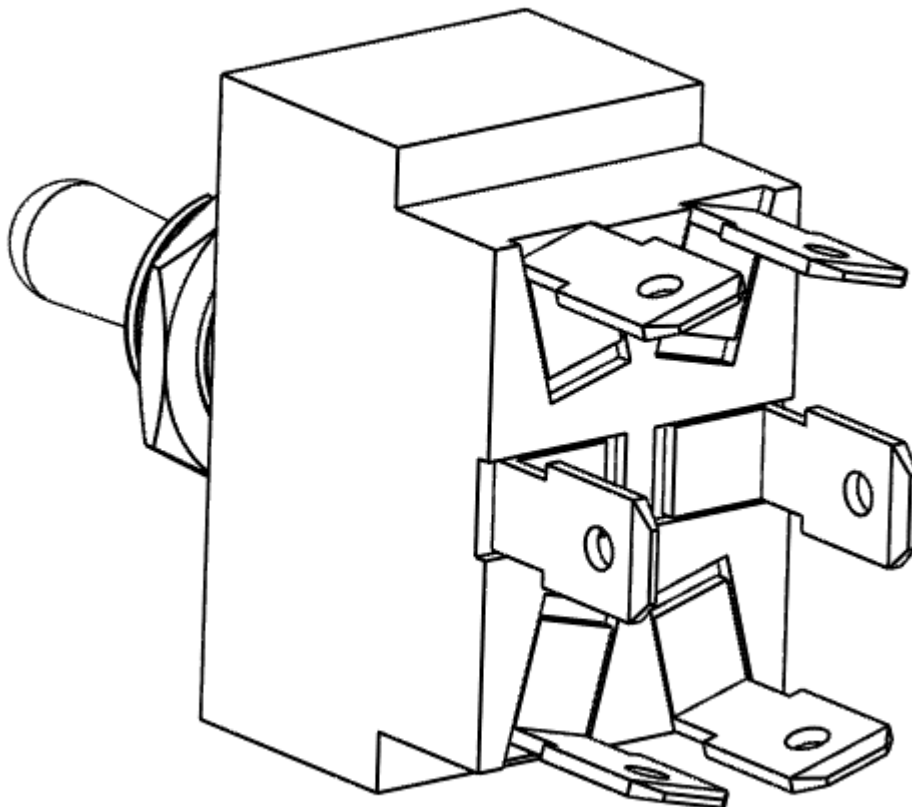
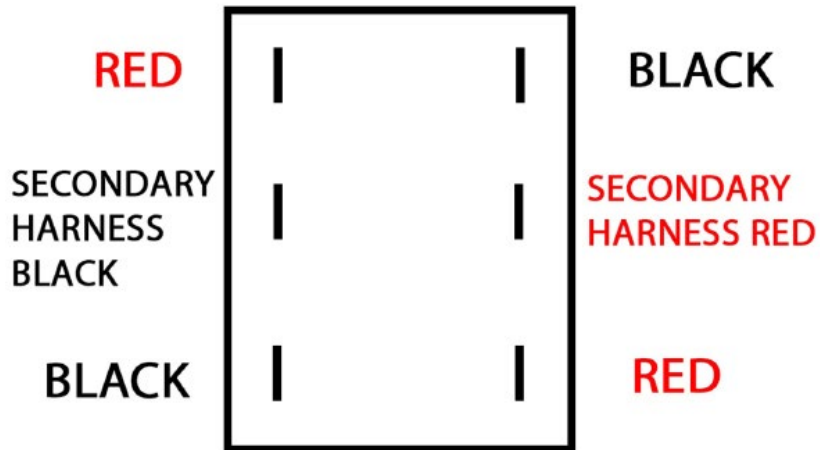


RACE SERIES CHASE RACK 24/TOYOTA TACOMA

INSTALL

□ STEP 14

Bring the wires to the back of the switch. Then, connect the red wire to either of the middle posts on the switch. Connect the black wire to opposing middle post.

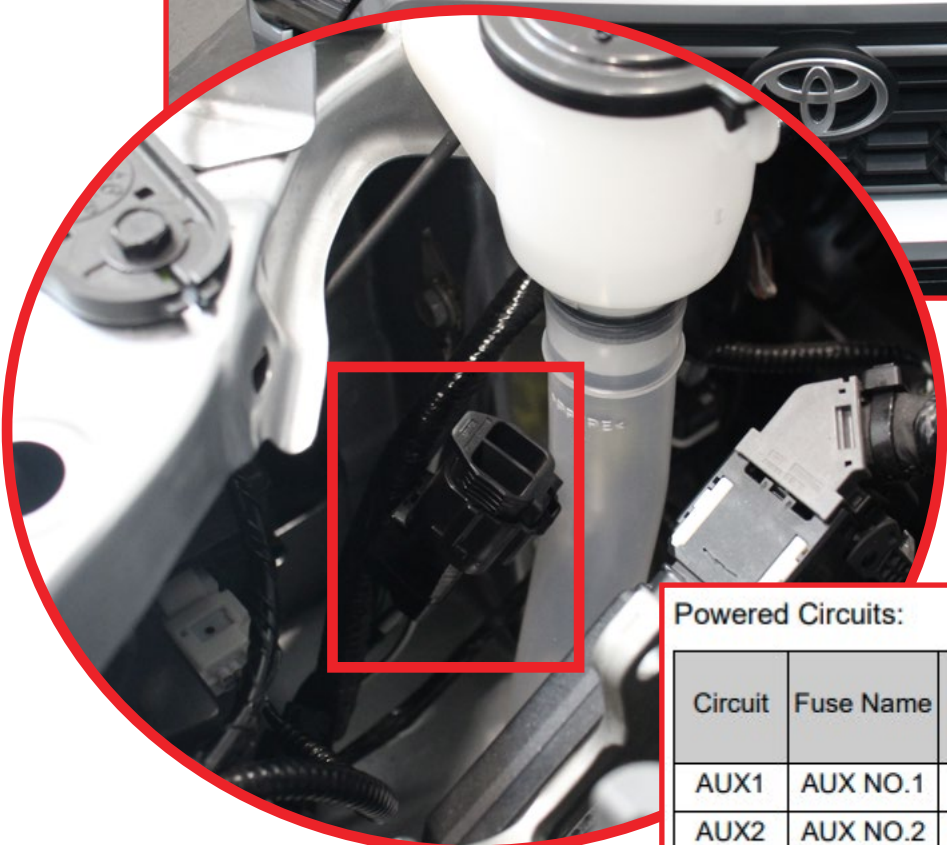


RACE SERIES CHASE RACK 24/TOYOTA TACOMA

INSTALL

STEP 15

If you're running any light configurations, Toyota provides AUX powered circuits. They are located under the hood next to the washer fluid reservoir. Ensure to check the amperage of each light you install, if they exceed the amperage provided by Toyota as shown in **fig 4**, use the given wiring harness for your lights to compensate for the correct amperage connected to the AUX switch.



Powered Circuits:

Circuit	Fuse Name	Fuse Size	Fuse Location	Pigtail Wire Color	Connector Location
AUX1	AUX NO.1	15A	Engine compartment	Black	Engine compartment A , cabin B
AUX2	AUX NO.2	10A		Green	
AUX3	AUX NO.3	5A		White	

FIG. 4



INSTALLATION GUIDE

RACE SERIES CHASE RACK 24/TOYOTA TACOMA

FINAL

□ STEP 16

Stand back and enjoy your new ADD Race Series Chase Rack.

Check and re-tighten all mounting bolts after 100 miles and periodically thereafter.



THIS PRODUCT IS PROTECTED BY ONE OR MORE U.S. PATENTS
WWW.ADDICTIVEDESERTDESIGNS.COM/PATENTS

FOR ADDITIONAL SUPPORT OR TECHNICAL QUESTIONS,
PLEASE CALL 480-671-0820 OR
EMAIL INFO@ADDICTIVEDESERTDESIGNS.COM