



INSTALLATION GUIDE

2019-2024/RAM 1500

BLACK LABEL FRONT BUMPER

F550305080103



TOOLS REQUIRED

- (Allen) 7/32
- (Wrench) 8mm, 10mm, 12mm, 18mm, 9/16
- (Socket) 8mm, 10mm, 12mm, 18mm, 9/16
- Ratchet
- Flat Head/Fastener Remover



TIME REQUIRED

- 3.5 hours for OEM Removal/Bumper Install
- 1 Additional Hour to Wire Lights

****Labor Rates are based on a vehicle with no pre-existing damage. Wiring labor is based on a standard wiring procedure with light switches installed in an easily accessible location. Custom light triggering or switch mounting location will result in a greater labor charge.****



SKILL LEVEL

-Easy/Intermediate

****This installation requires 2 people for best results****

⚠️ WARNINGS/CAUTIONS BEFORE STARTING INSTALLATION ⚠️

-BEFORE YOU INSTALL THIS KIT-

Read and understand all instructions, warnings, cautions, & notes contained in this installation instruction guide. Consult your vehicle owner's manual for proper disconnection of electrical and lifting of vehicle if required for installation of this product.

This install may require some technical skills and knowledge of basic mechanical work. If you do not feel that you are capable of performing this install please take this product to a trained professional.

After reading this guide please contact us with any questions or concerns before installing product.

Customer Service (480) 671-0820

Addictive desert designs is not responsible for any bodily injury or harm to you or your vehicle as a result of an improper install.

Proper installation of this kit required knowledge of the factory recommended procedures for removal and installation of original equipment components.

We recommend that the factory shop manual and any special tools needed to service your vehicle be on hand during the installation. Installation of this kit without proper knowledge of the factory recommended procedures may affect the performance of these

components and the safety of the vehicle. Inspect all contents of this package to make sure product is not damaged and all installation hardware has been included. If parts are missing from kit, please be prepared to provide the following information:

1. Name of purchase location
2. Bar Code on side of box
3. Date above bar code
4. Date inside box cover

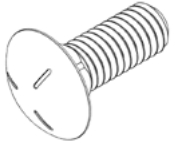
ALWAYS WEAR EYE PROTECTION WHEN OPERATING POWER TOOLS



INSTALLATION GUIDE

HARDWARE/PARTS

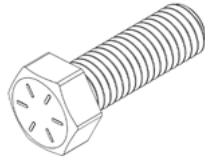
A.



3/8-16 X 1" CARRIAGE BOLT

QTY: 2

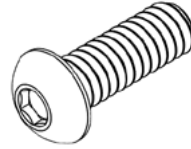
B.



3/8-16 X 1" HEX HEAD BOT BLACK

QTY: 12

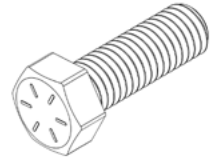
C.



3/8-16 X 1" BUTTON HEAD BOLT

QTY: 2

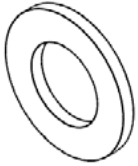
D.



3/8-16 X 1" HEX HEAD BOLT YELLOW ZINC

QTY: 4

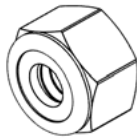
E.



3/8" FLAT WASHER

QTY: 32

E1.



3/8-16" NYLON LOCK NUT

QTY: 16

F.



UUS0089

QTY: 4

G.



SAD0010

QTY: 2

SENSOR GROMMETS SUPPLIED FOR NON SENSOR TRIMS



3/4" RUBBER SENSOR GROMMET

QTY: 4



3/4" PLASTIC SENSOR GROMMET PLUG

QTY: 4

Reference this page throughout the install



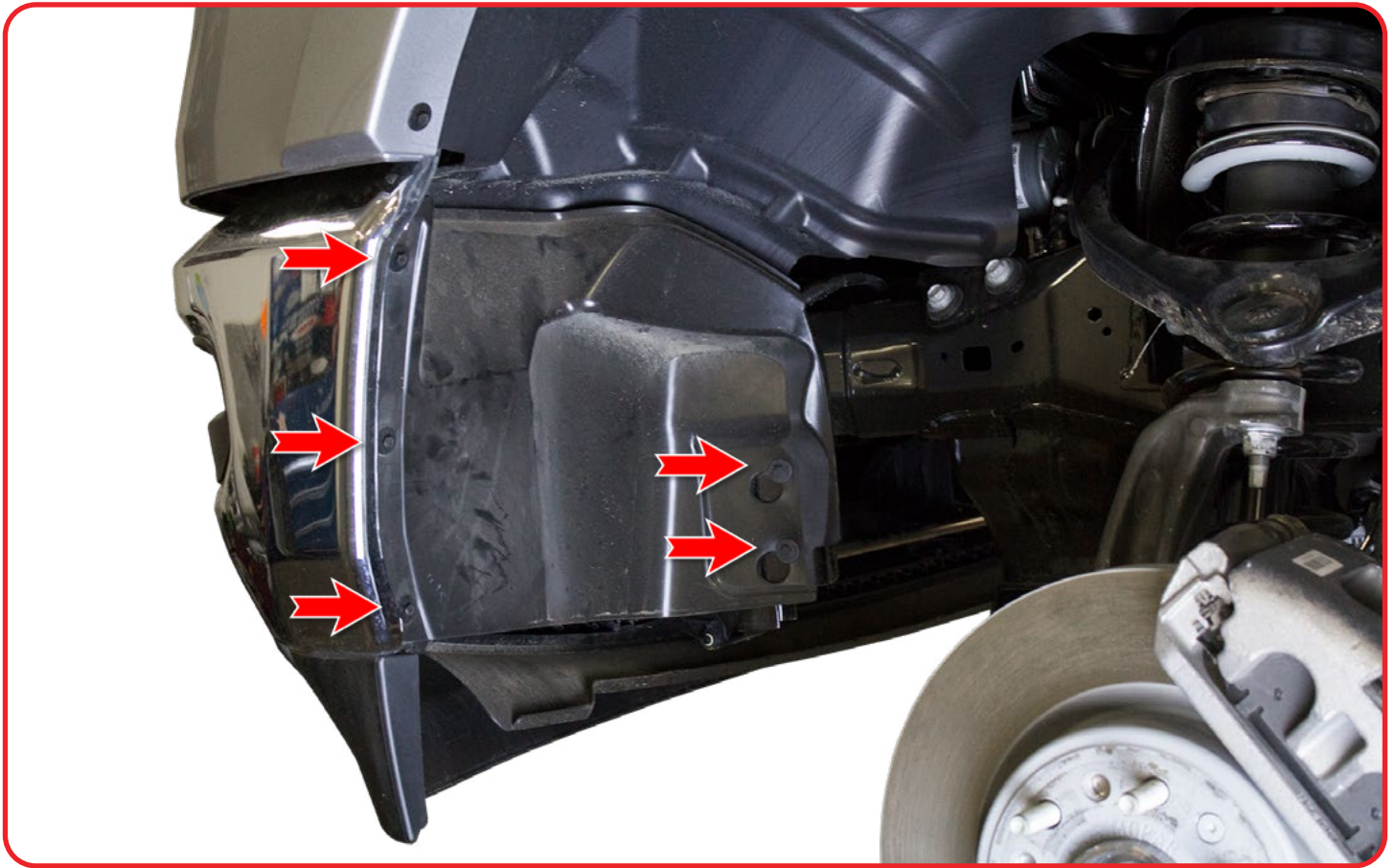
INSTALLATION GUIDE

BLACK LABEL FRONT BUMPER 2019-2024/RAM 1500

REMOVAL

□ STEP 1

Using an (8mm Socket), remove the five bolts in the front portion of the wheel well. Then, remove the front section of the inner liner. Repeat this step on the other side of the vehicle.

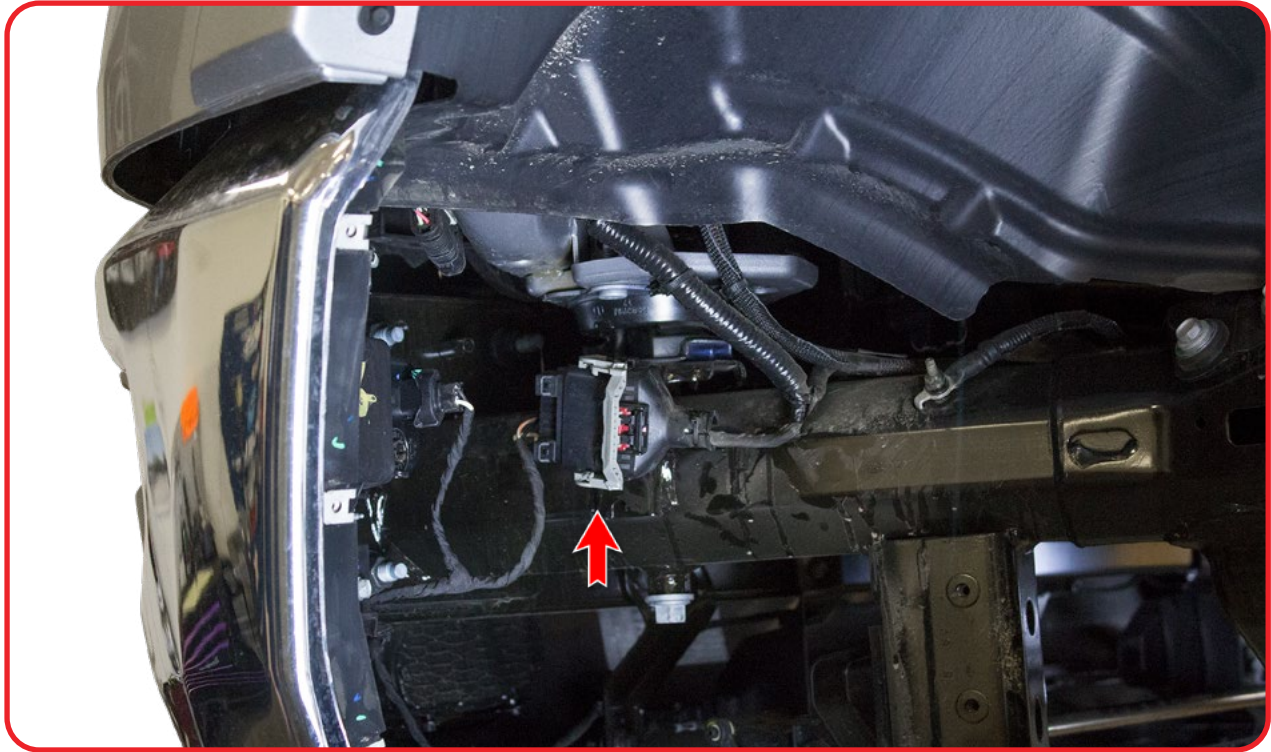


BLACK LABEL FRONT BUMPER 2019-2024/RAM 1500

REMOVAL

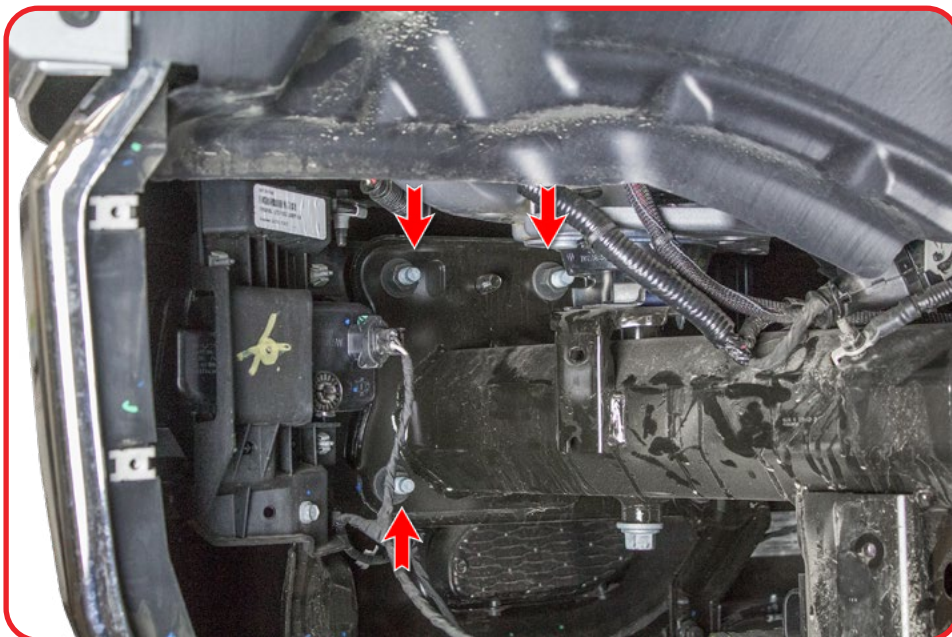
□ STEP 2

Disconnect the main bumper harness connector that was behind the inner fender liner piece you removed on the driver side of the truck.



□ STEP 3

Using an (18mm Socket), remove the 3 bumper mounting nuts (per side). Then, remove the OEM Bumper from the vehicle.

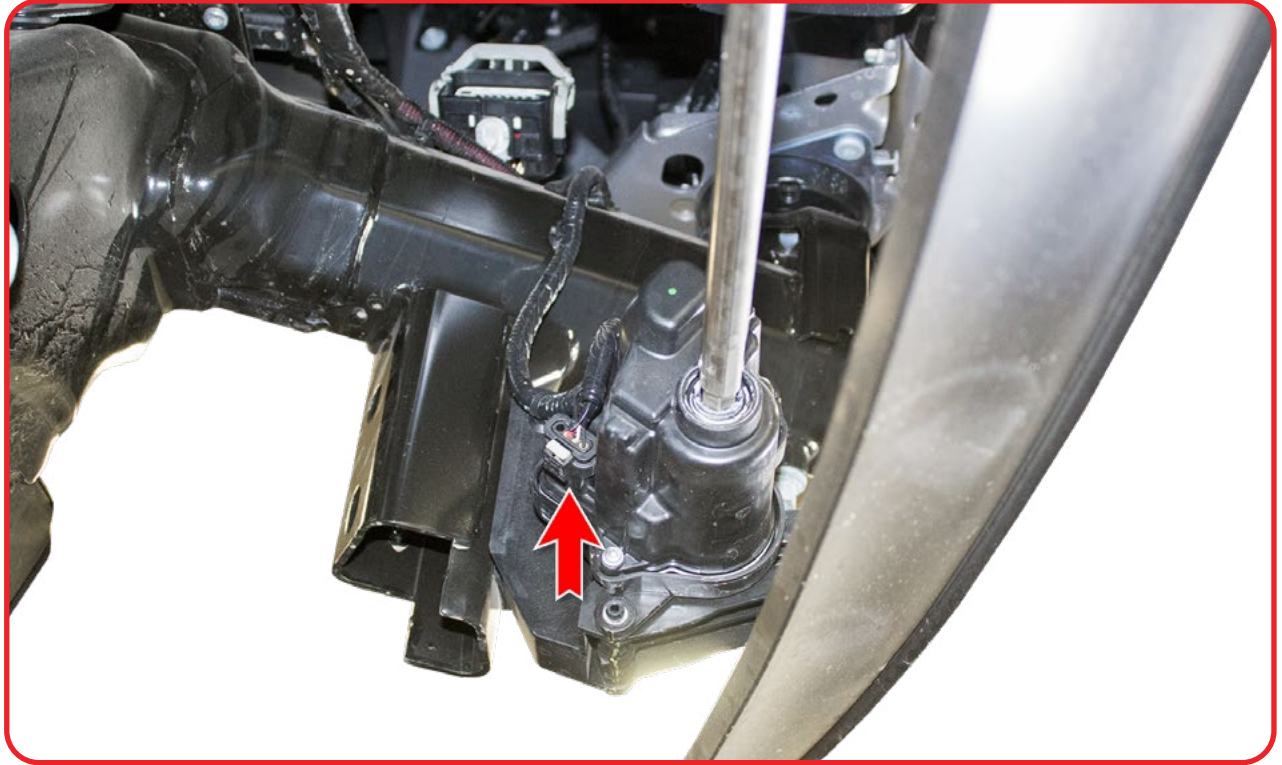


BLACK LABEL FRONT BUMPER 2019-2024/RAM 1500

REMOVAL

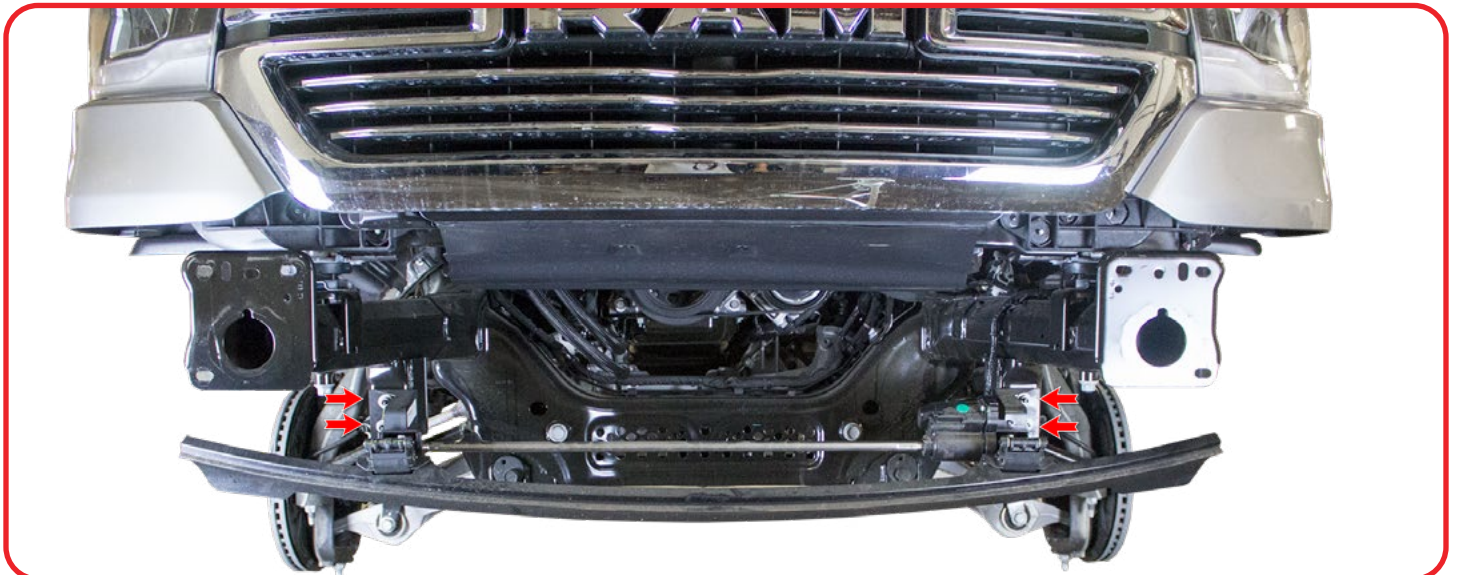
□ STEP 4

Unplug the connector on the back side of the air dam motor.



□ STEP 5

Using a (12mm Socket), remove the four mounting nuts that hold the air dam in place. Then, remove the air dam from the vehicle.

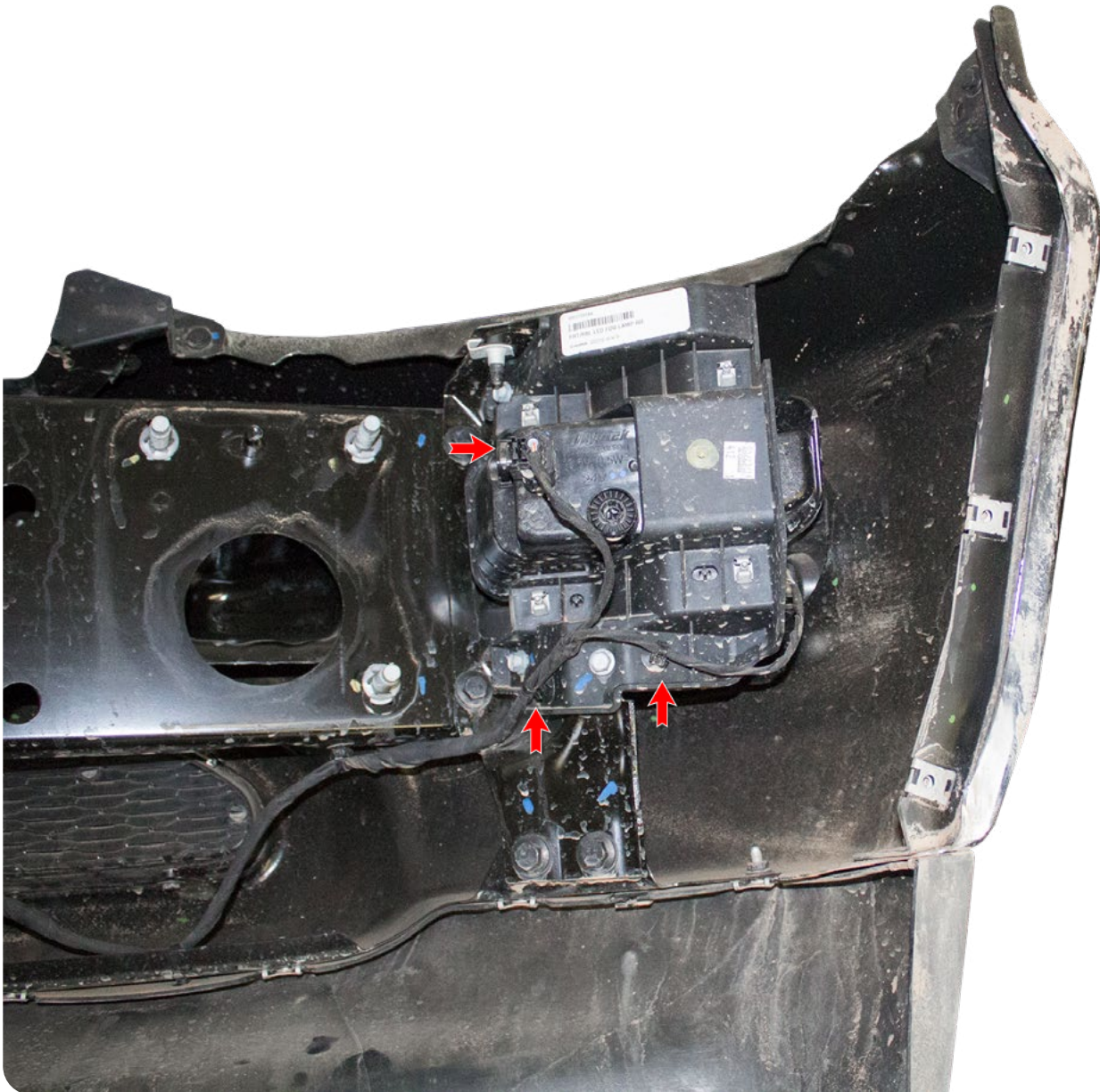


BLACK LABEL FRONT BUMPER 2019-2024/RAM 1500

REMOVAL

□ STEP 6

Unplug the connector on the backside of the fog lights. Then, release the plastic clips holding the bumper harness to the fog light assembly.

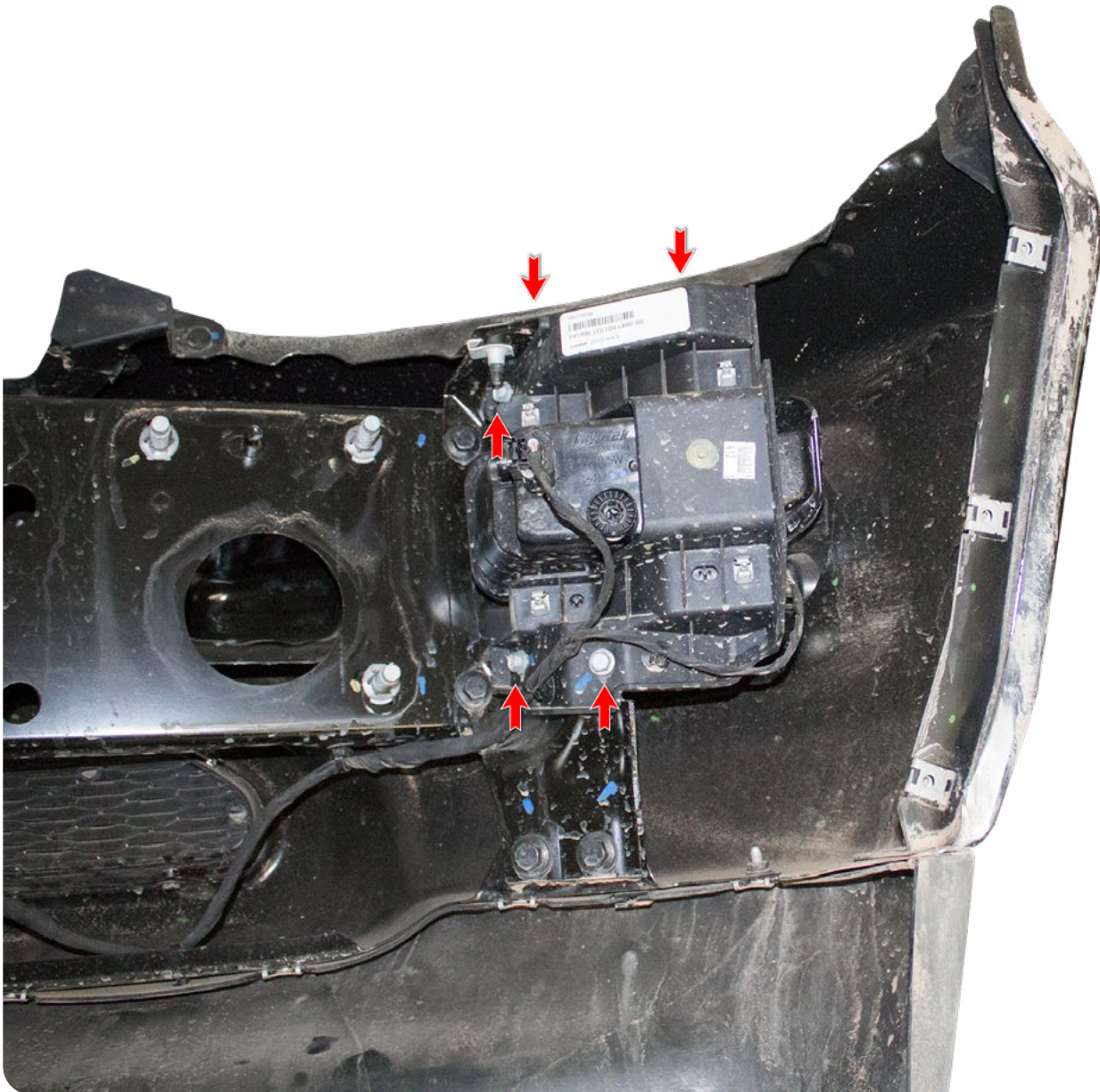


BLACK LABEL FRONT BUMPER 2019-2024/RAM 1500

REMOVAL

□ STEP 7

Using a (10mm Socket), remove the fog light assembly mounting bolts. Then, remove the fog light assembly from the OEM Bumper.



BLACK LABEL FRONT BUMPER 2019-2024/RAM 1500

REMOVAL

□ STEP 8

Using an (8mm Socket), remove the mounting nuts on the plastic trim piece that sits behind the fog light assembly. Then, remove this trim piece from the bumper.

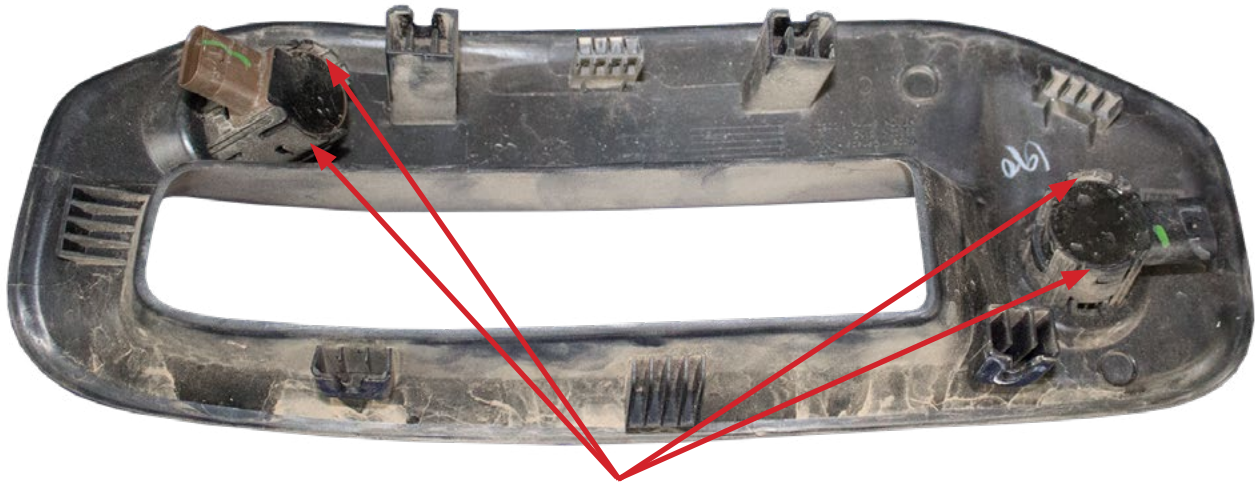


BLACK LABEL FRONT BUMPER 2019-2024/RAM 1500

REMOVAL

□ STEP 9

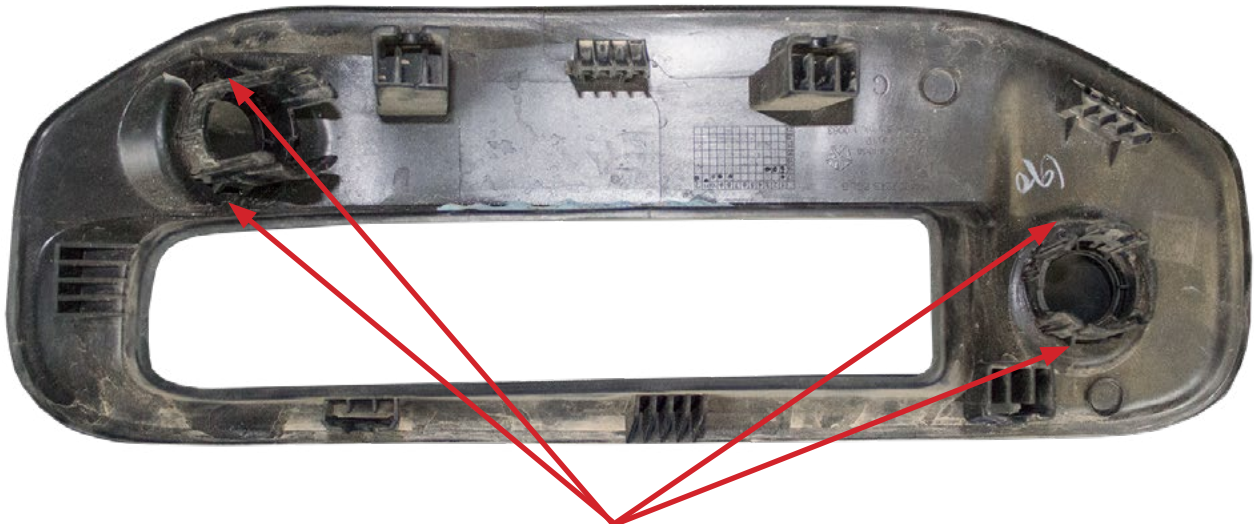
Remove the parking sensors from the plastic trim piece you just removed from the bumper. Do this by spreading the tabs on the back side of the parking sensor mounting rings. Keep track of the position/orientation they come off so you can install them on your new bumper in the same position/orientation.



Spread these tabs to release the parking sensors

□ STEP 10

Remove the parking sensor mounting rings from the plastic trim piece. Do this by squeezing in the two tabs on the back side of the mounting rings and pushing them out the front of the piece. Keep track of the position/orientation they come off so you can install them on your new bumper in the same position/orientation.



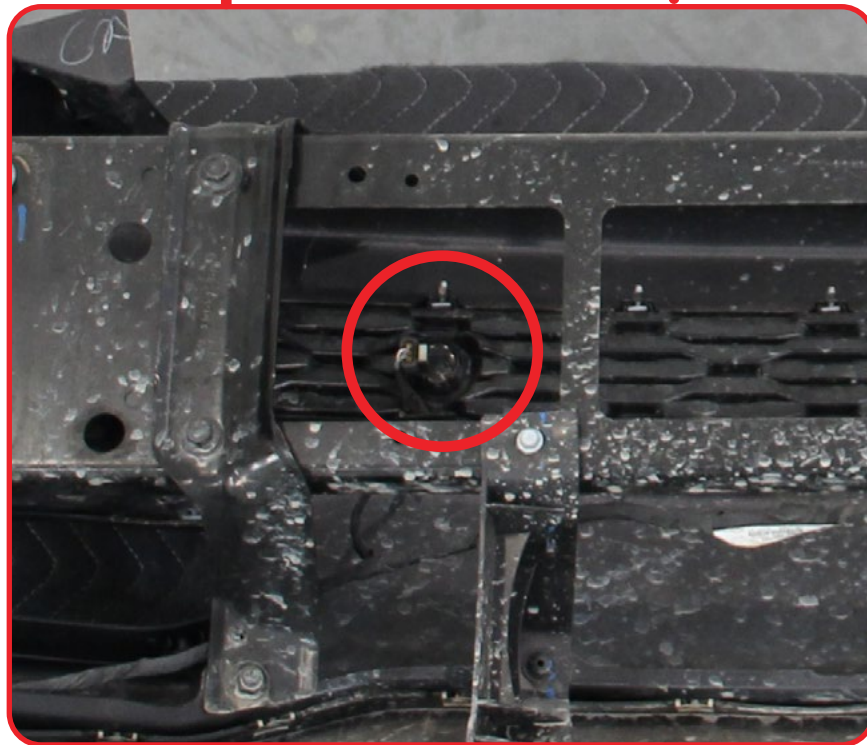
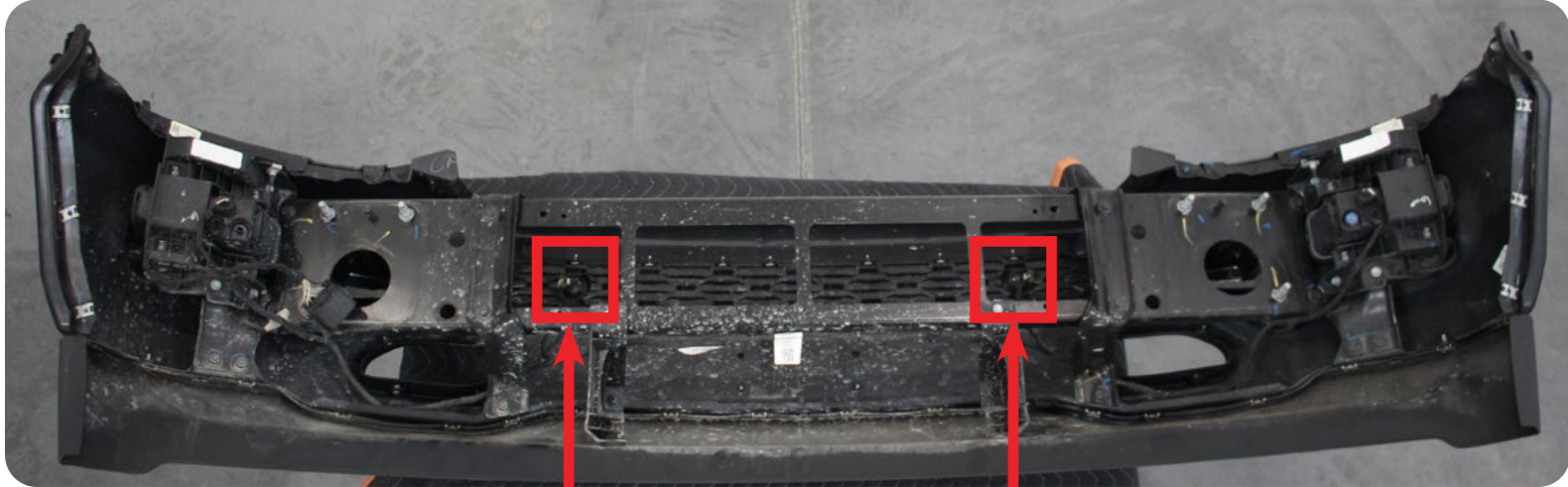
Squeeze these tabs to release the sensor mounting rings

BLACK LABEL FRONT BUMPER 2019-2024/RAM 1500

REMOVAL

STEP 11

Repeat steps 9-10 for removal.

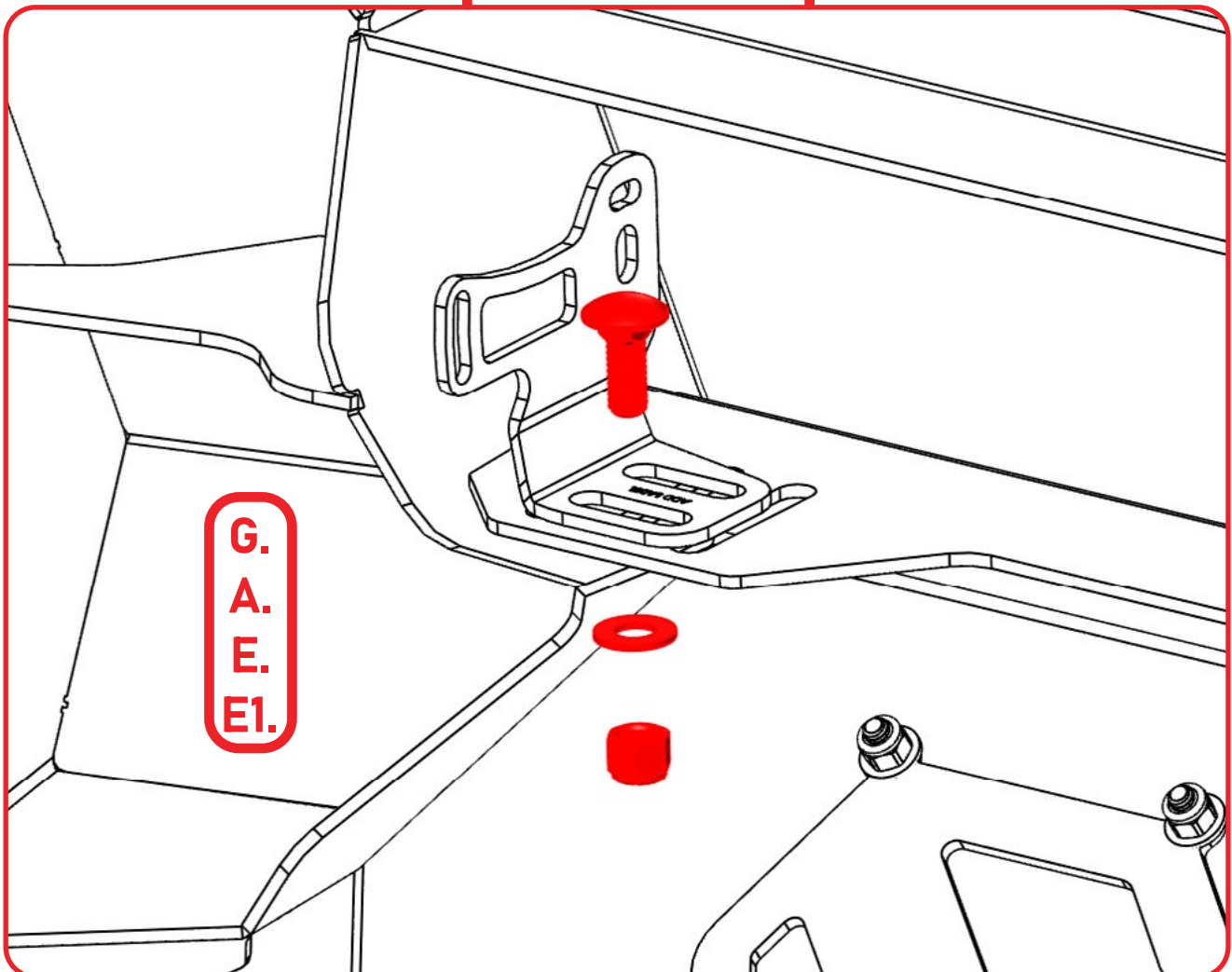
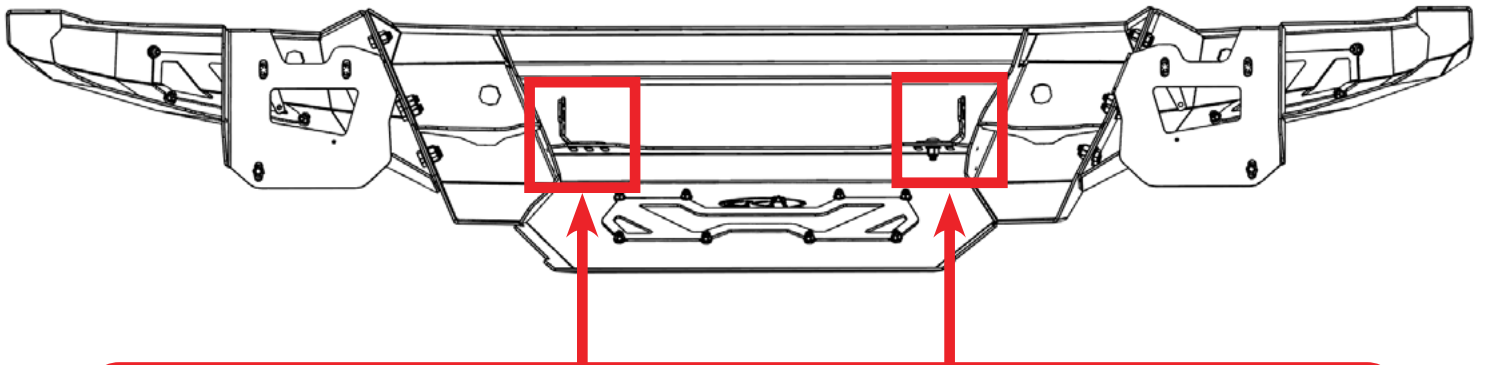


BLACK LABEL FRONT BUMPER 2019-2024/RAM 1500

INSTALL

□ STEP 12

Now would be a good time to install the light bar with the provided (G) light bracket with the provided (A, E, E1) 3/8 Carriage bolt and hardware using a (9/16 wrench).





INSTALLATION GUIDE

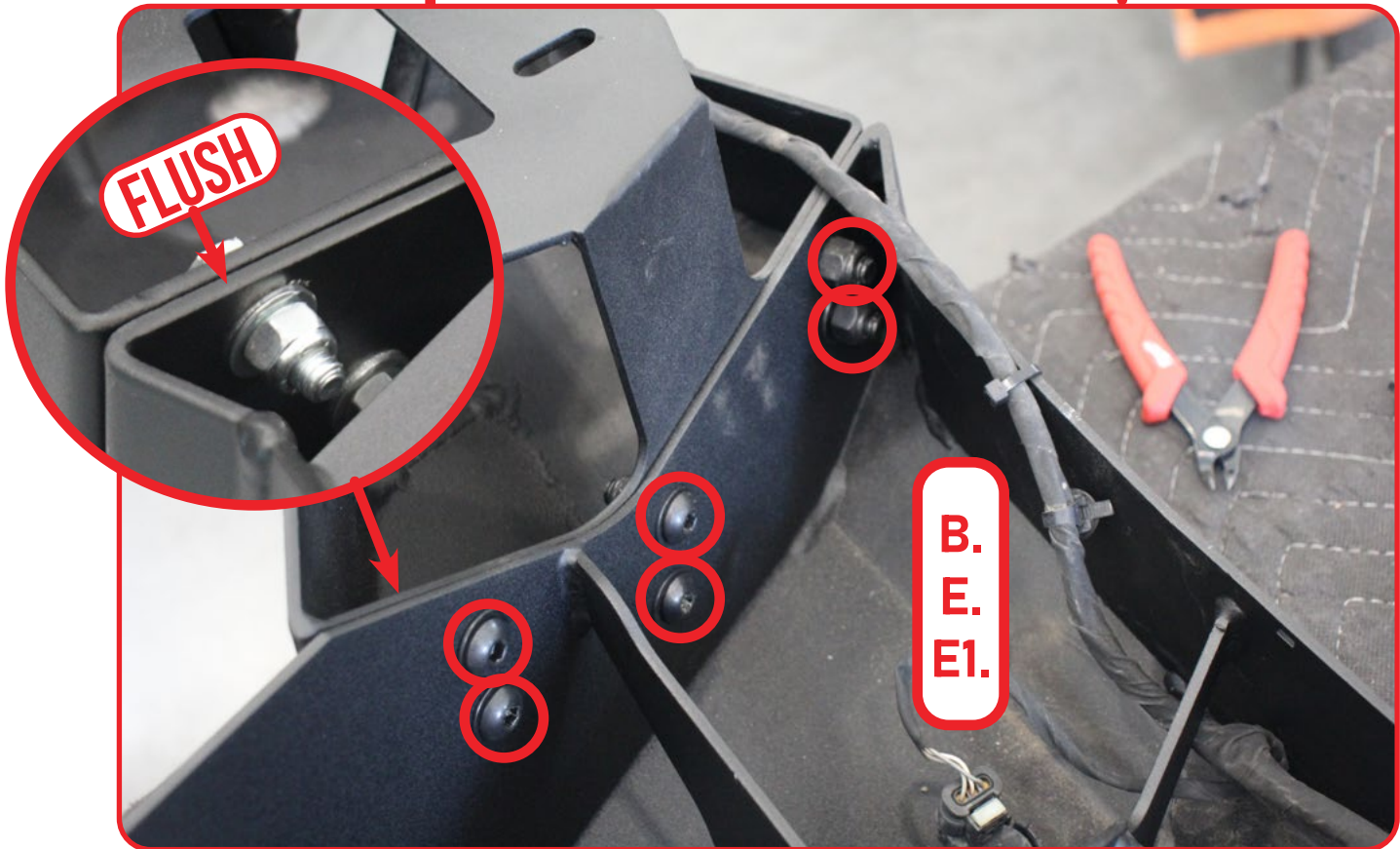
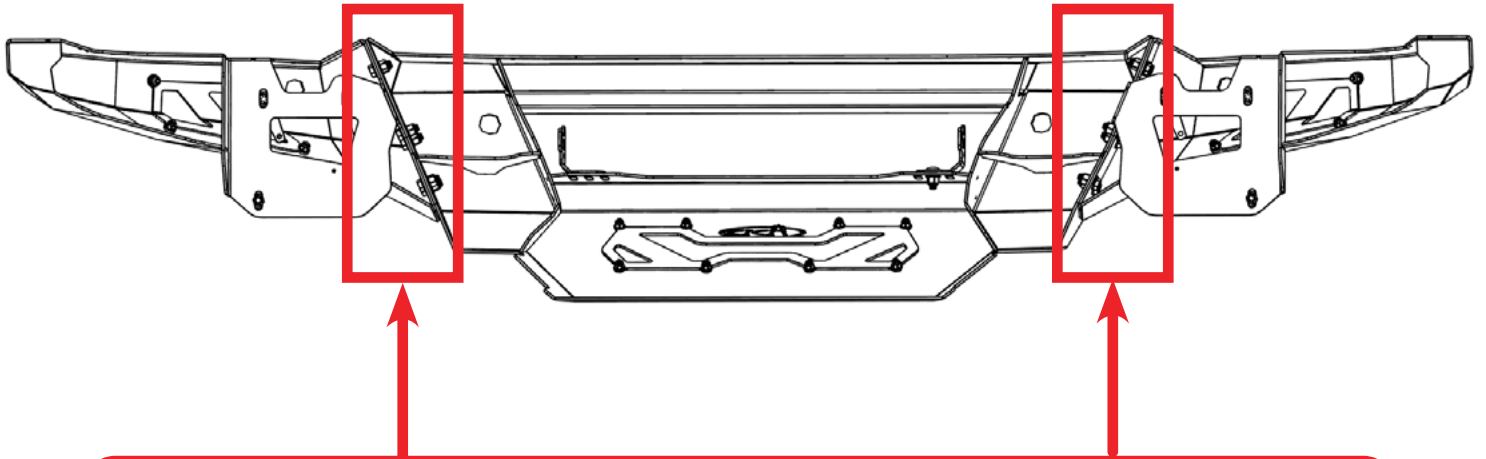
BLACK LABEL FRONT BUMPER 2019-2024/RAM 1500

INSTALL

STEP 13

With the provided (B, E, E1) 3/8 hardware install the side pods to the center using a (9/16 wrench) and a (9/16 socket).

(Ensure that the side pods are flush with the center as shown)

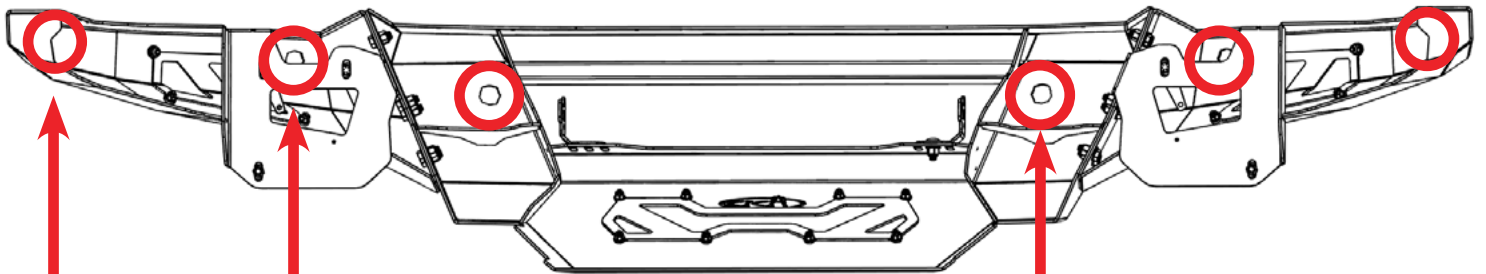


BLACK LABEL FRONT BUMPER 2019-2024/RAM 1500

INSTALL

□ STEP 14

Install the sensor bezels removed from **steps 9-11** in the same OEM orientation.





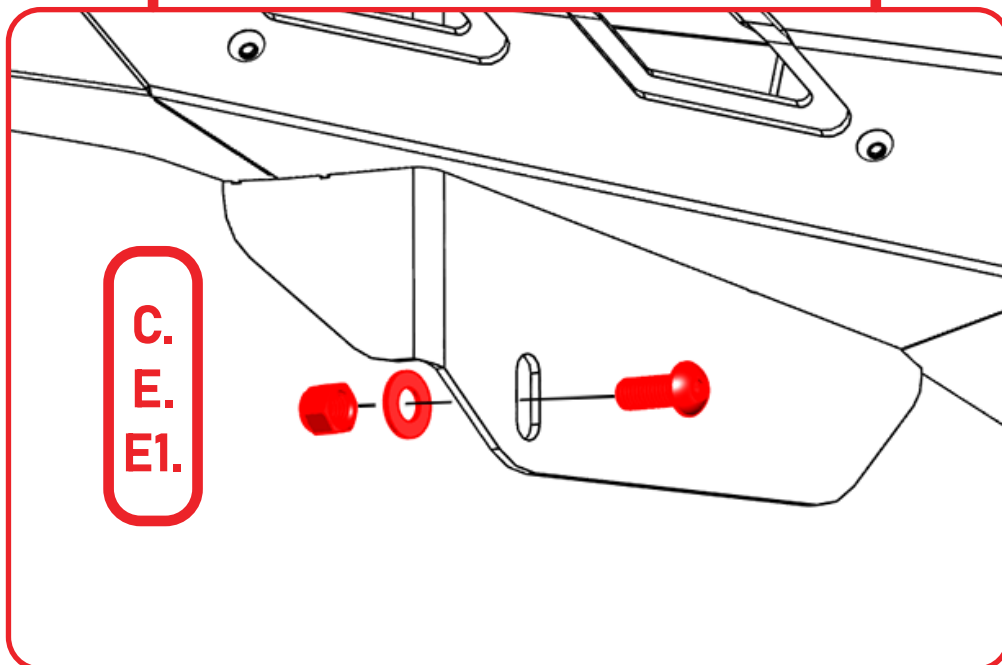
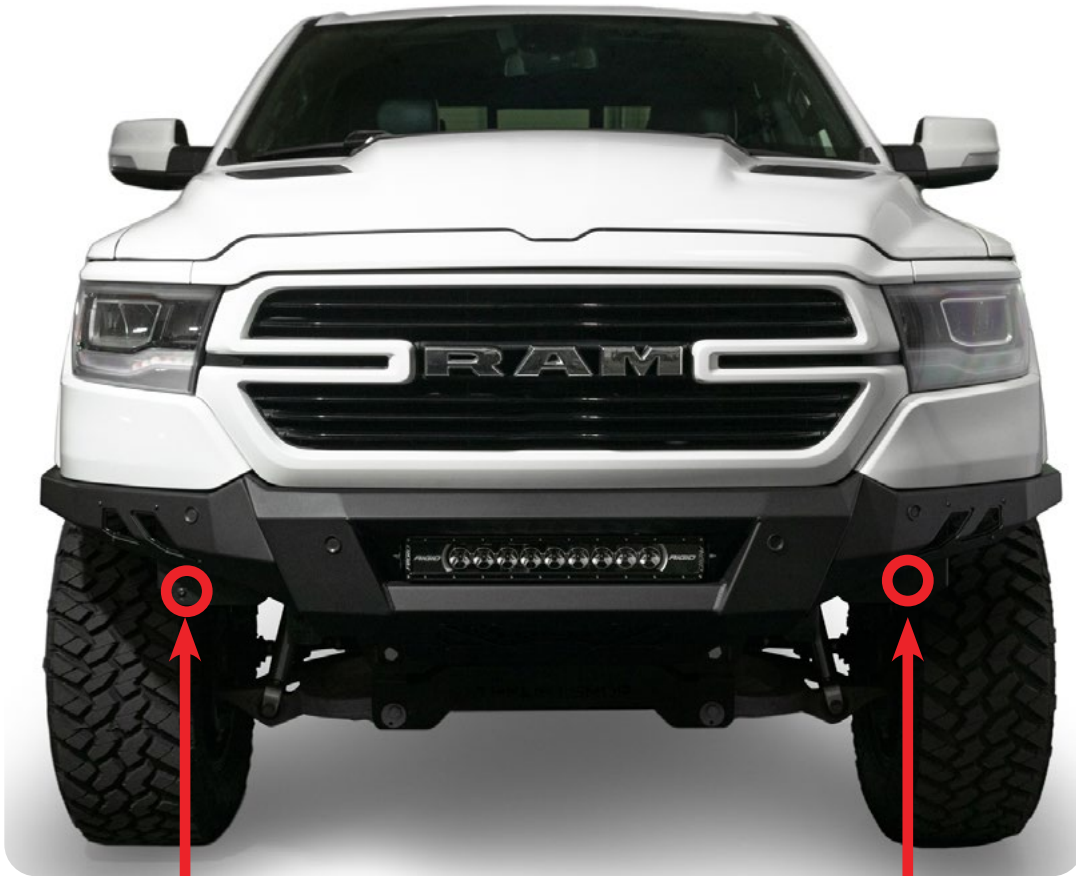
INSTALLATION GUIDE

BLACK LABEL FRONT BUMPER 2019-2024/RAM 1500

INSTALL

□ STEP 15

With a helping hand, install the bumper with the provided (C, E, E1) 3/8 hardware using a (7/32 allen) and a (9/16 wrench).





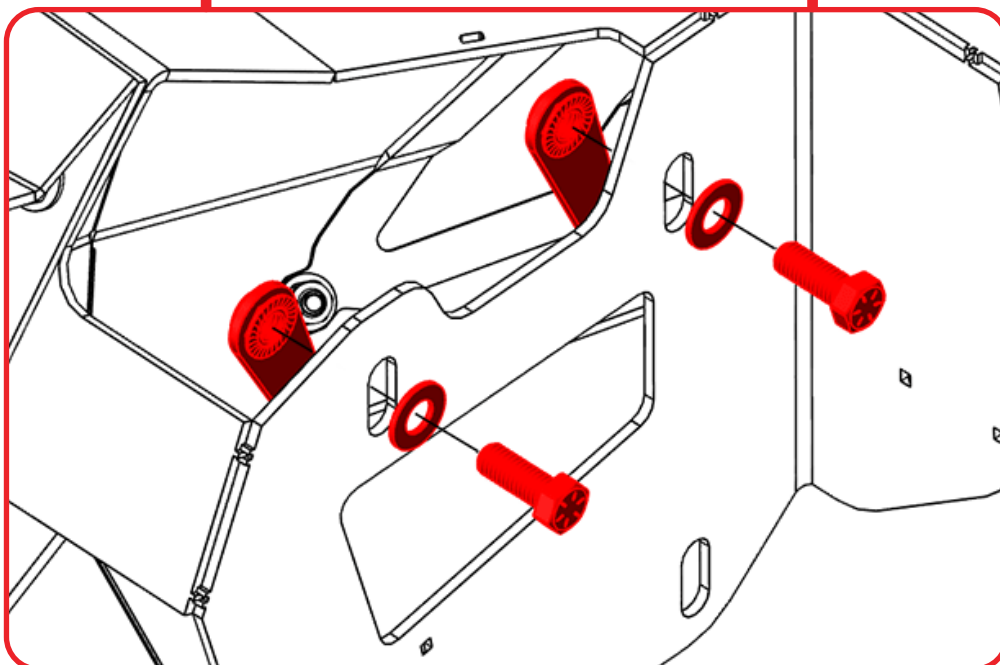
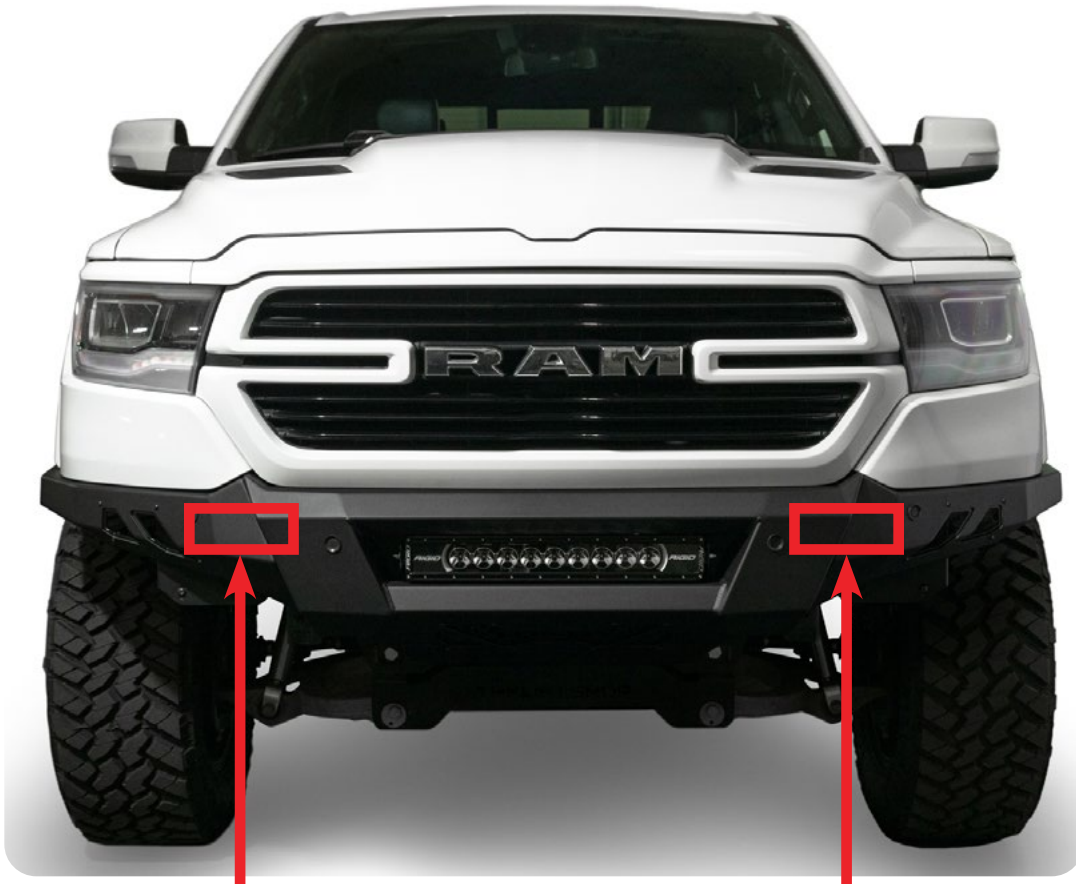
INSTALLATION GUIDE

BLACK LABEL FRONT BUMPER 2019-2024/RAM 1500

INSTALL

□ STEP 16

Next, slip the provided **(F)** flag nuts inside the bumper as shown below while installing the provided **(D, E)** 3/8 hardware using a (9/16 socket).



**F.
D.
E.**

BLACK LABEL FRONT BUMPER 2019-2024/RAM 1500

INSTALL

□ STEP 17

Plug the main wire harness back in located on the driver side.





INSTALLATION GUIDE

BLACK LABEL FRONT BUMPER 2019-2024/RAM 1500

FINAL

STEP 18

Stand back and enjoy your new ADD Black Label Front Bumper.

Check and re-tighten all mounting bolts after 100 miles and periodically thereafter.



THIS PRODUCT IS PROTECTED BY ONE OR MORE U.S. PATENTS
WWW.ADDICTIVEDESERTDESIGNS.COM/PATENTS

FOR ADDITIONAL SUPPORT OR TECHNICAL QUESTIONS,
PLEASE CALL 480-671-0820 OR
EMAIL INFO@ADDICTIVEDESERTDESIGNS.COM