



# INSTALLATION GUIDE

## 2025-UP/RAM RHO BOMBER FRONT BUMPER DUAL 20 F630012140103



### TOOLS REQUIRED

(Torx) T40

(Allen) 3/16, 5/16

(Wrench) 8mm, 10mm, 13mm, 16mm, 18mm, 21mm, 1/32, 9/16, 3/4

(Socket) 8mm, 10mm, 13mm, 16mm, 18mm, 21mm, 1/32, 9/16, 3/4

Ratchet

Flat Head/Fastener Remover



### TIME REQUIRED

- 3 hours for OEM Removal/Bumper Install

-1 Additional Hour to Wire Lights

**\*\*Labor Rates are based on a vehicle with no pre-existing damage. Wiring labor is based on a standard wiring procedure with light switches installed in an easily accessible location. Custom light triggering or switch mounting location will result in a greater labor charge.\*\***



### SKILL LEVEL



Easy

**\*\*This installation requires 2 people for best results\*\***

## ⚠️ WARNINGS/CAUTIONS BEFORE STARTING INSTALLATION ⚠️

**-BEFORE YOU INSTALL THIS KIT-**

**Read and understand all instructions,** warnings, cautions, & notes contained in this installation instruction guide. Consult your vehicle owner's manual for proper disconnection of electrical and lifting of vehicle if required for installation of this product.

This install may require some technical skills and knowledge of basic mechanical work. If you do not feel that you are capable of performing this install please take this product to a trained professional.

After reading this guide please contact us with any questions or concerns before installing product.

Customer Service (480) 671-0820

Addictive desert designs is not responsible for any bodily injury or harm to you or your vehicle as a result of an improper install.

Proper installation of this kit required knowledge of the factory recommended procedures for removal and installation of original equipment components.

We recommend that the factory shop manual and any special tools needed to service your vehicle be on hand during the installation. Installation of this kit without proper knowledge of the factory recommended procedures may affect the performance of these

components and the safety of the vehicle. Inspect all contents of this package to make sure product is not damaged and all installation hardware has been included. If parts are missing from kit, please be prepared to provide the following information:

1. Name of purchase location
2. Bar Code on side of box
3. Date above bar code
4. Date inside box cover

**\*ALWAYS WEAR EYE PROTECTION WHEN OPERATING POWER TOOLS\***



# INSTALLATION GUIDE

## HARDWARE

**A.**



#8-32 X 3/4" BUTTON HEAD BOLT

**QTY: 4**

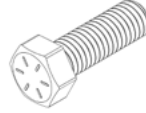
**A1.**



#8-32 NYLON LOCK NUT

**QTY: 4**

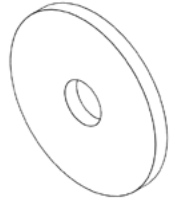
**B.**



3/8-16 X 1 1/2" HEX HEAD BOLT

**QTY: 4**

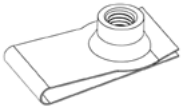
**B1.**



3/8" FENDER WASHER

**QTY: 4**

**B2.**



3/8-16 U-NUT

**QTY: 4**

**C.**



1/2-13 X 1 1/2" BUTTON HEAD BOLT

**QTY: 2**

**C1.**



1/2" FLAT WASHER

**QTY: 2**

**C2.**



1/2-13" NYLON LOCK NUT

**QTY: 2**

**D.**



MOPAR CLIP ON SENSOR BEZEL

**QTY: 4**

**D1.**



MOPAR CLIP ON SENSOR BACKER

**QTY: 4**

### SENSOR GROMMETS SUPPLIED FOR NON SENSOR TRIMS



3/4" RUBBER SENSOR GROMMET

**QTY: 4**



3/4" PLASTIC SENSOR GROMMET PLUG

**QTY: 4**

Reference this page throughout the install



## PARTS

**E.**



SBR0287

QTY: 2



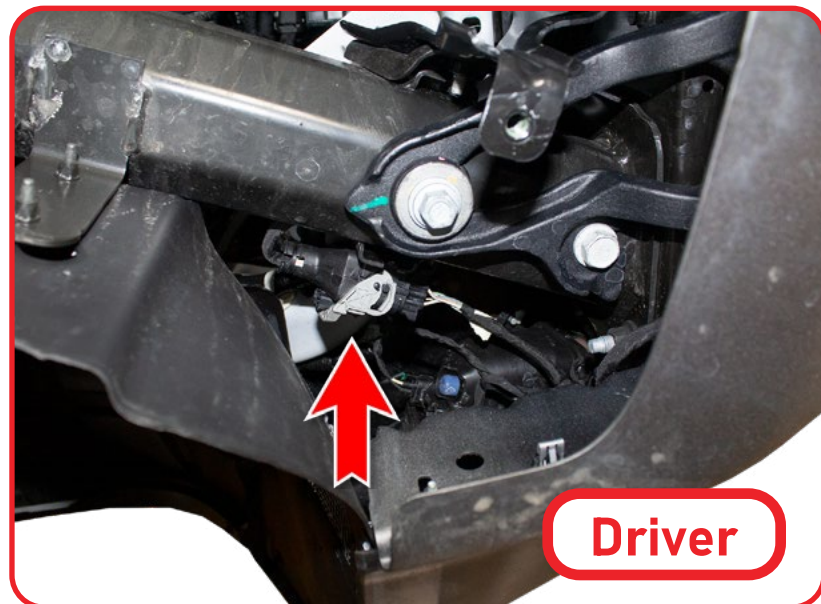
# INSTALLATION GUIDE

## BOMBER FRONT BUMPER DUAL 20 2025-UP/RAM RHO

## REMOVAL

### □ STEP 1

Using a (16mm Socket), remove the skid plate mounting bolts (x6). **\*\*Keep Hardware\*\*** Then, remove the skid plate from the vehicle. From underneath the vehicle, unplug the main bumper harness connector located on the driver side and passenger side of the vehicle along the frame rail.

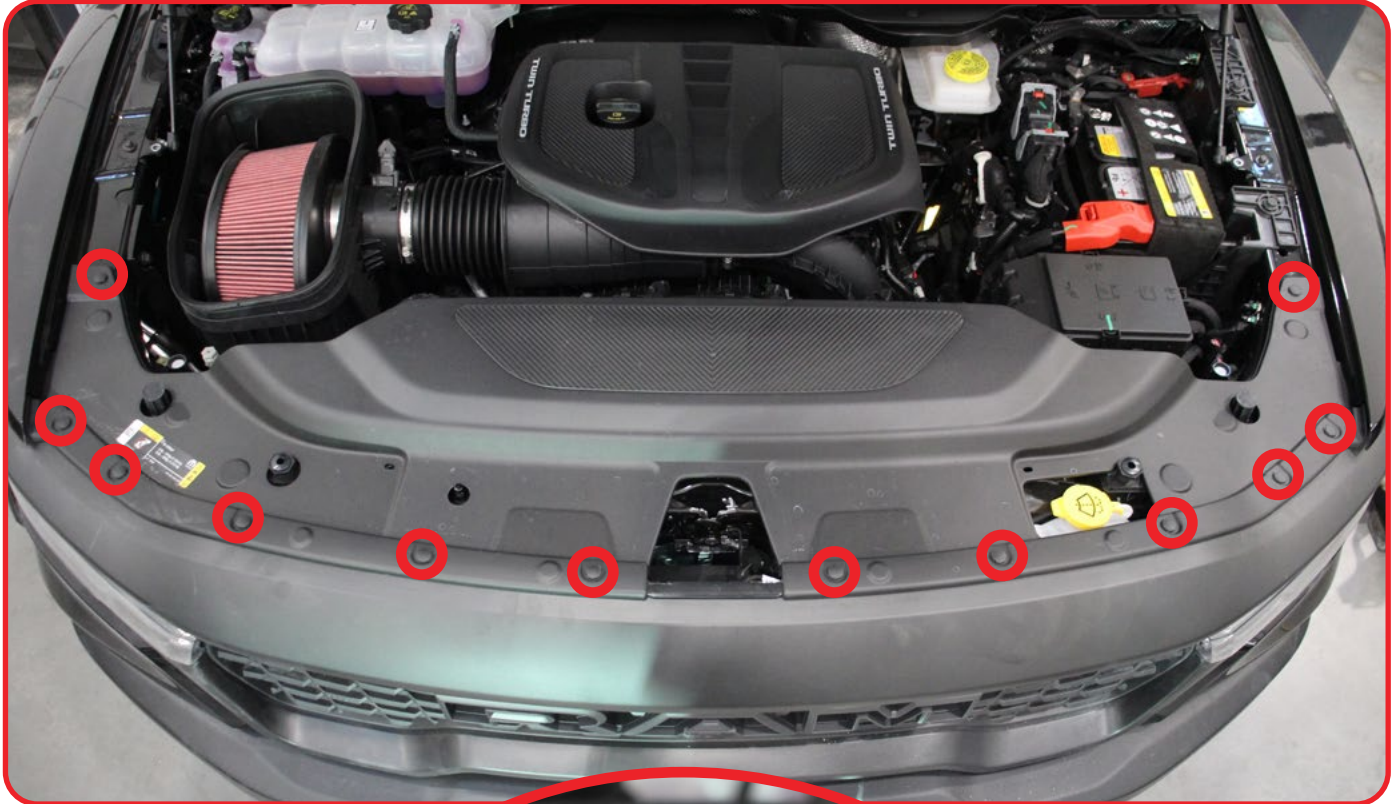


## BOMBER FRONT BUMPER DUAL 20 2025-UP/RAM RHO

## REMOVAL

### □ STEP 2

Using a (Fastener Removal Tool) remove all 12x push pins holding the top shroud located underneath the hood. **\*\*Keep hardware\*\***

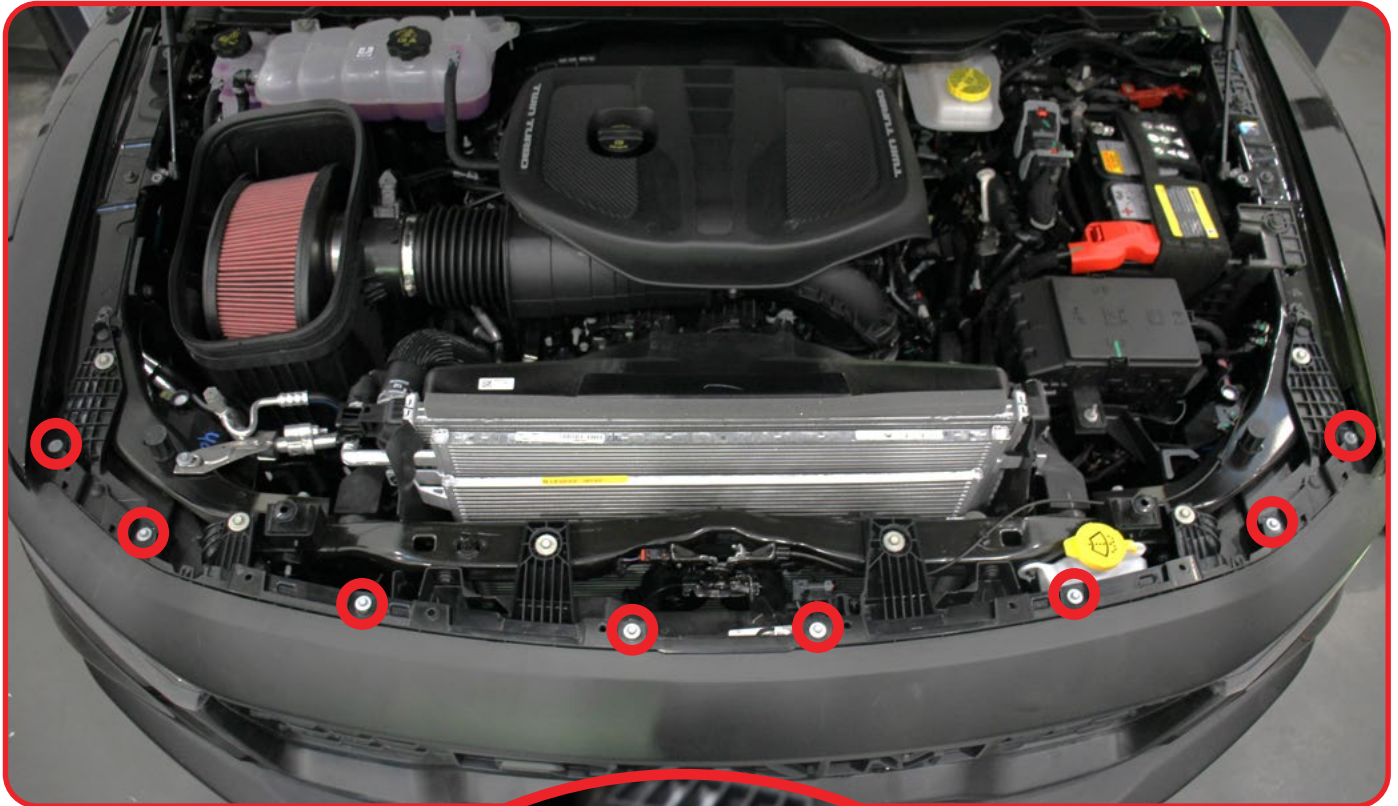


## BOMBER FRONT BUMPER DUAL 20 2025-UP/RAM RHO

## REMOVAL

### □ STEP 3

Using a (8mm socket) remove the 8x bolts highlighted below. **\*\*Keep hardware\*\***



## BOMBER FRONT BUMPER DUAL 20 2025-UP/RAM RHO

## REMOVAL

### □ STEP 4

Using a (8mm socket) remove the bolts located in the wheel well for the fender flair. **\*\*Keep hardware\*\***



## BOMBER FRONT BUMPER DUAL 20 2025-UP/RAM RHO

## REMOVAL

### □ STEP 5

Pop the fender flair off by pulling outwards.







# INSTALLATION GUIDE

## BOMBER FRONT BUMPER DUAL 20 2025-UP/RAM RHO

## REMOVAL

### □ STEP 6

Using a (8mm socket) remove the 2x bolts located above the headlight. **\*\*Keep hardware\*\***

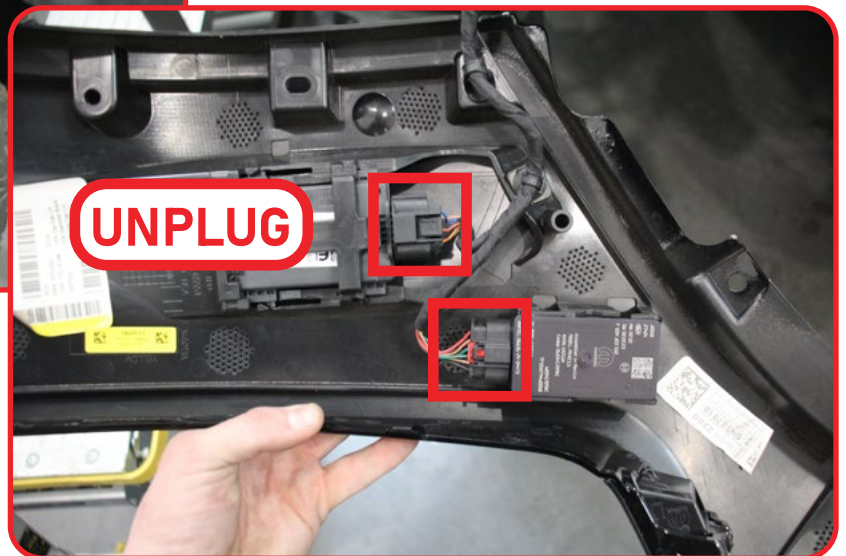
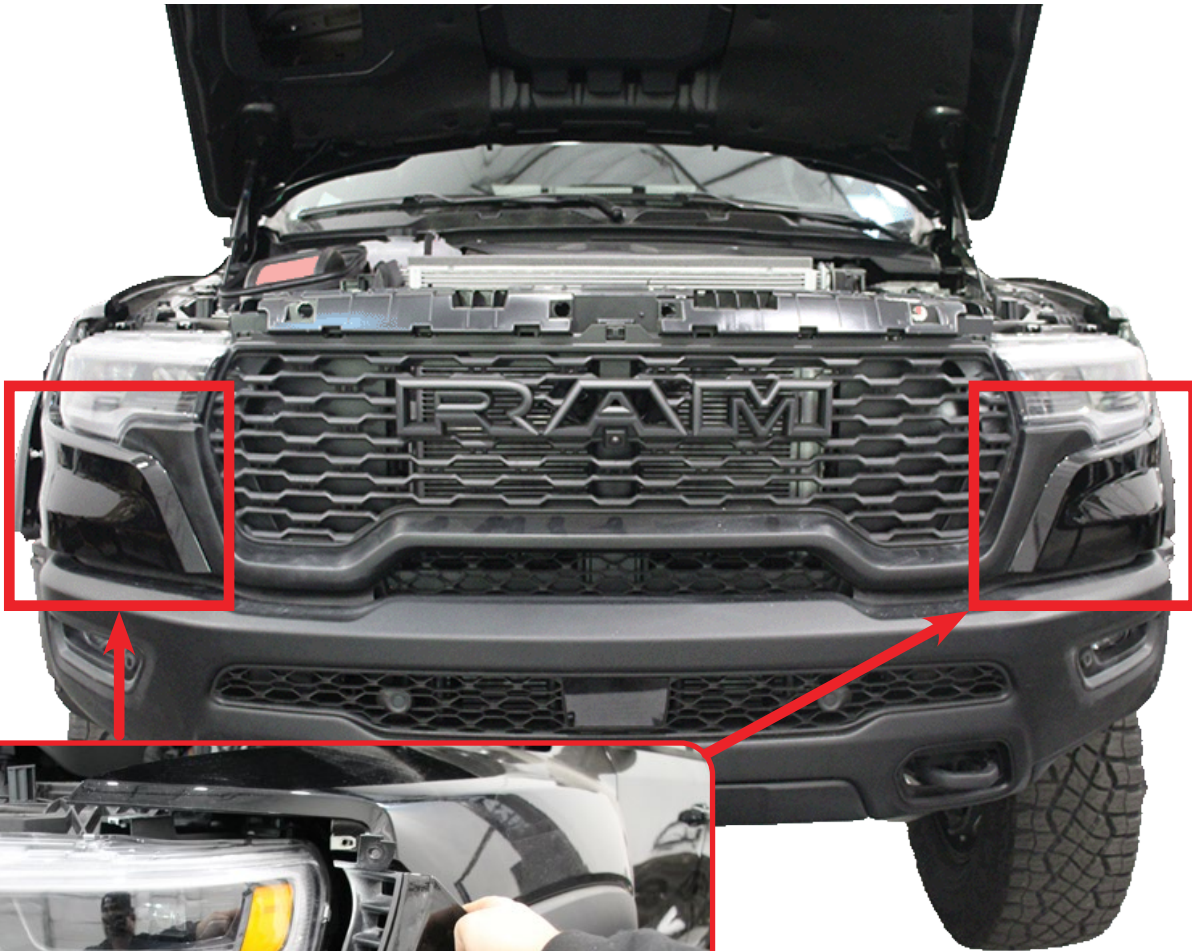


## BOMBER FRONT BUMPER DUAL 20 2025-UP/RAM RHO

## REMOVAL

### □ STEP 7

Remove the plastic cover as shown below to expose the blind spot sensor. Next unplug the sensors and set plastic aside.

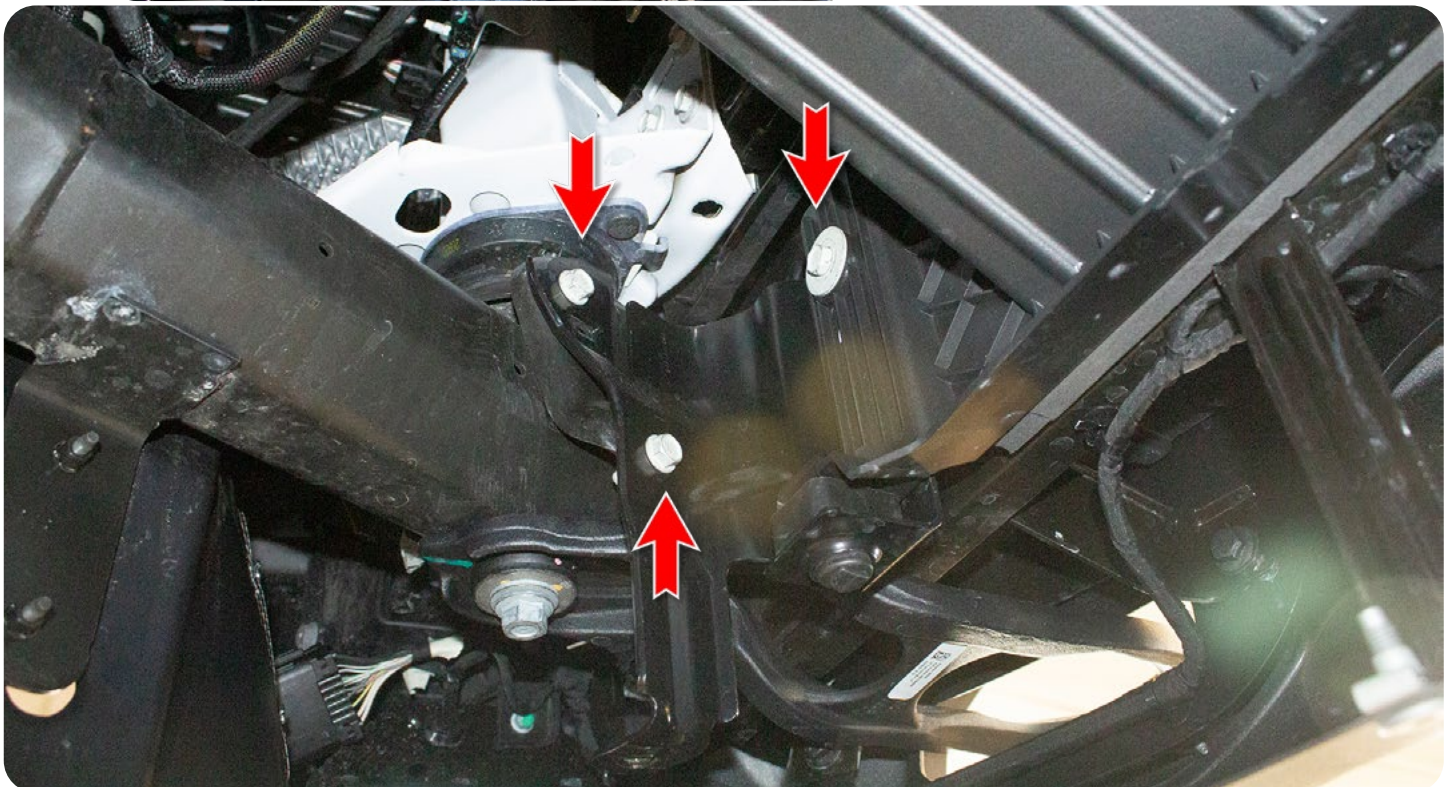


## BOMBER FRONT BUMPER DUAL 20 2025-UP/RAM RHO

## REMOVAL

### □ STEP 8

Using an (8mm Socket), remove the two bolts (per side) along the front portion of each front wheel well. Then using a (13mm Socket), remove the three bolts (per side) that hold the oil cooler to the vehicle for easy access to the mount bolts.

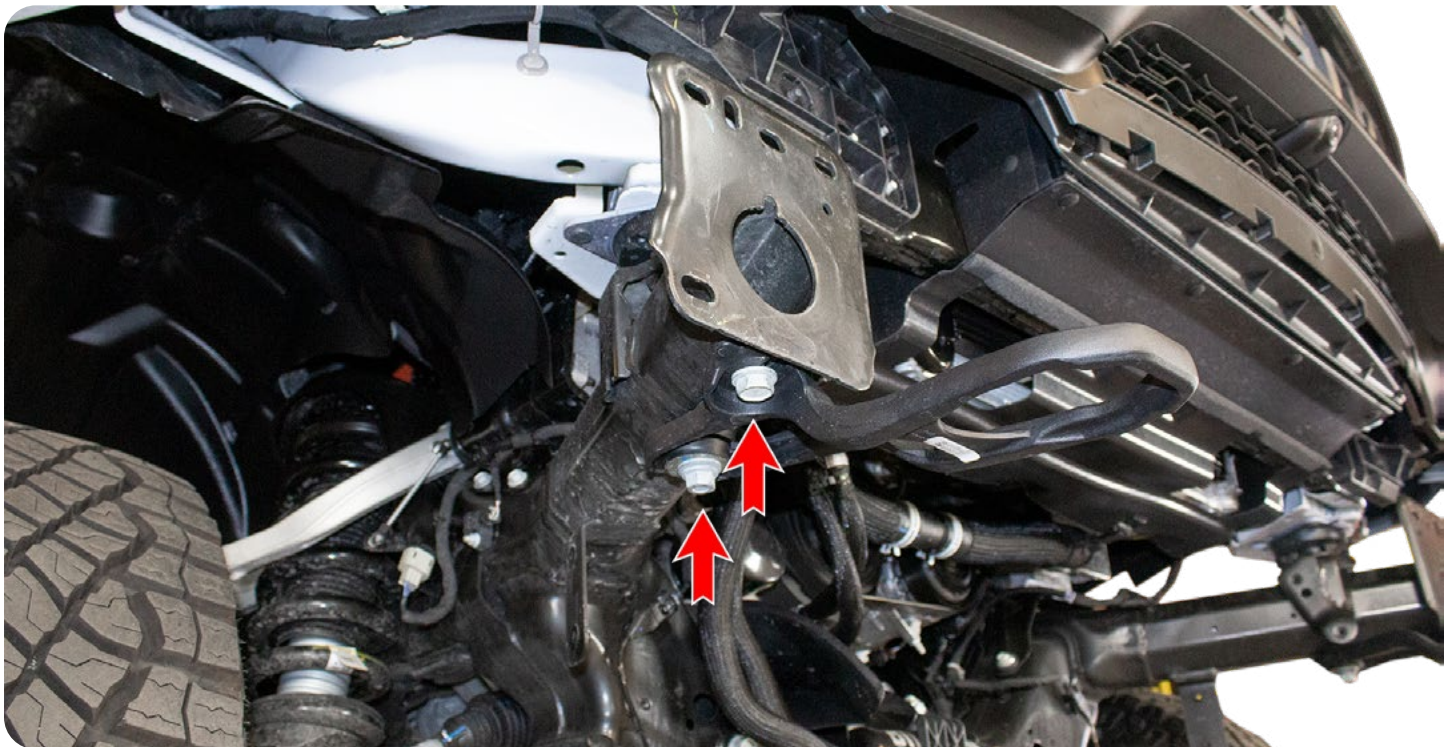
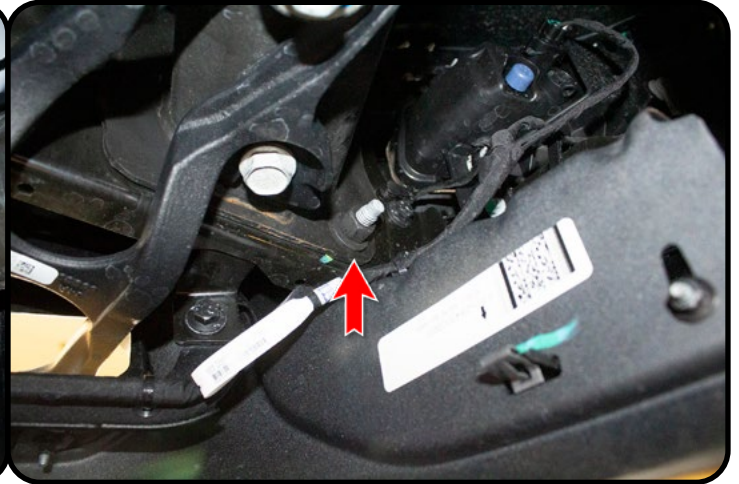
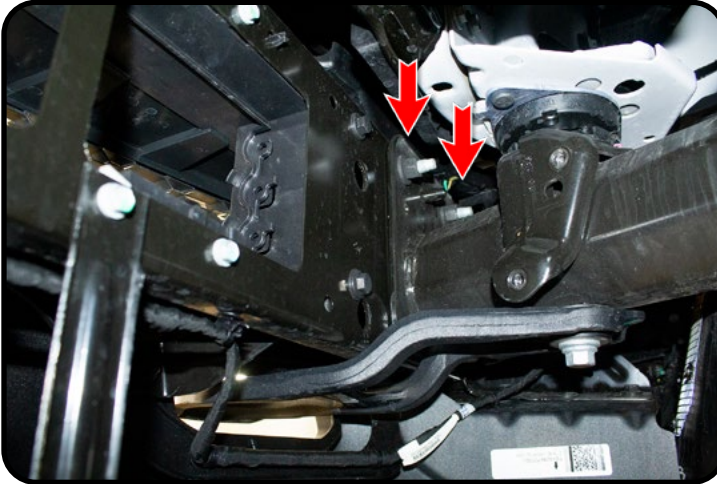


## BOMBER FRONT BUMPER DUAL 20 2025-UP/RAM RHO

## REMOVAL

### □ STEP 9

Using an (18mm Socket), remove the three mounting nuts (per side) that hold the bumper to the vehicle. Then, remove the bumper from the vehicle. Then use an (18mm socket) and (21mm Socket) to remove the two tow hook.



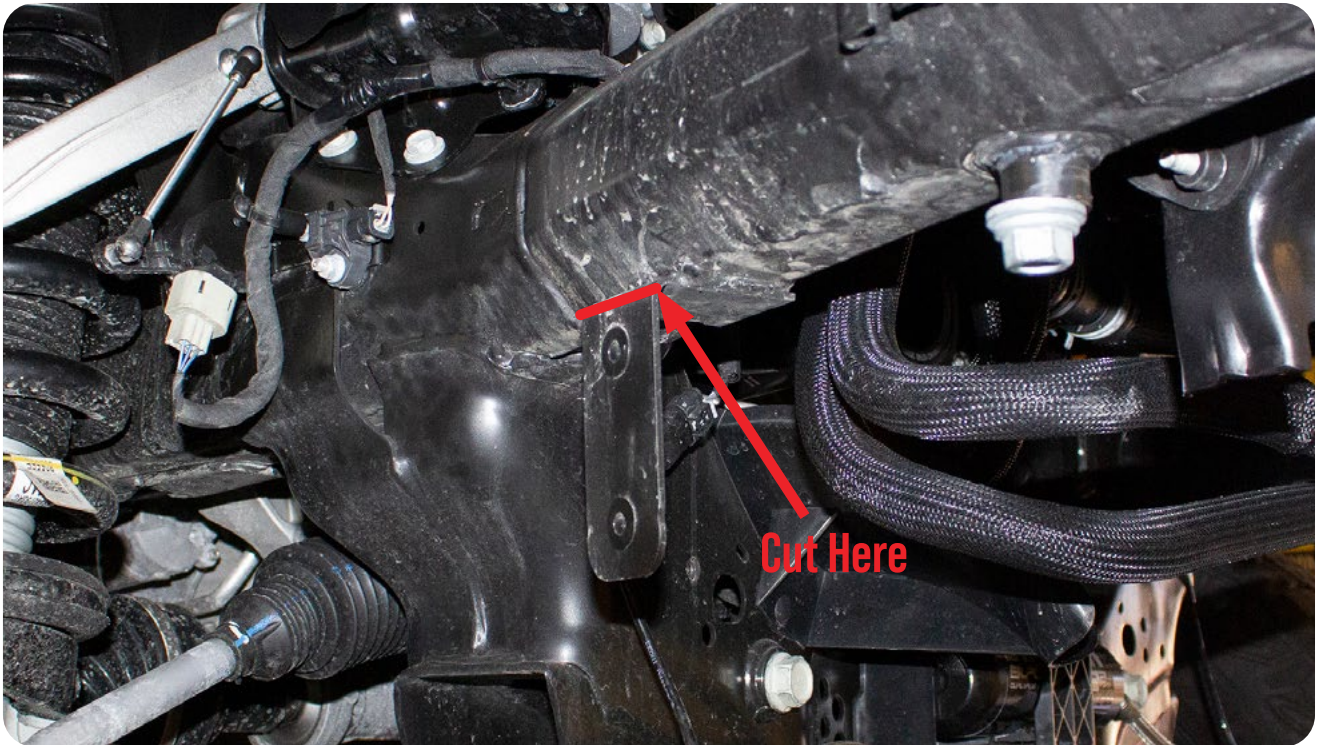
## BOMBER FRONT BUMPER DUAL 20 2025-UP/RAM RHO

## REMOVAL

### □ STEP 10

This step is optional and is done for aesthetics. Use a cutoff wheel to trim the inner fender mounting bracket as shown bellow. Make sure to paint over any bare metal.

**Before**



**After**

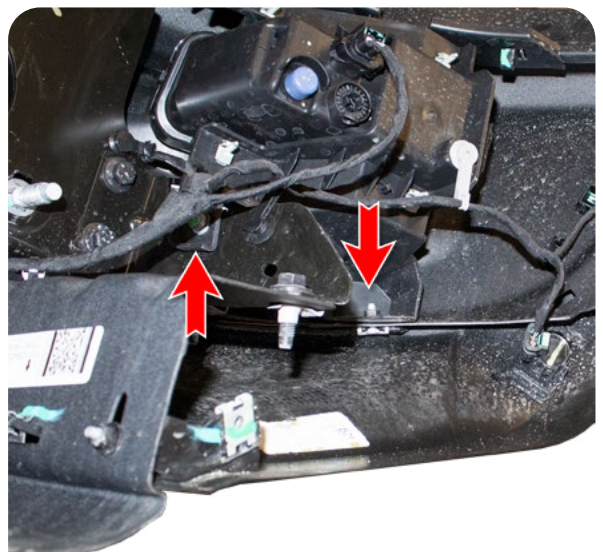
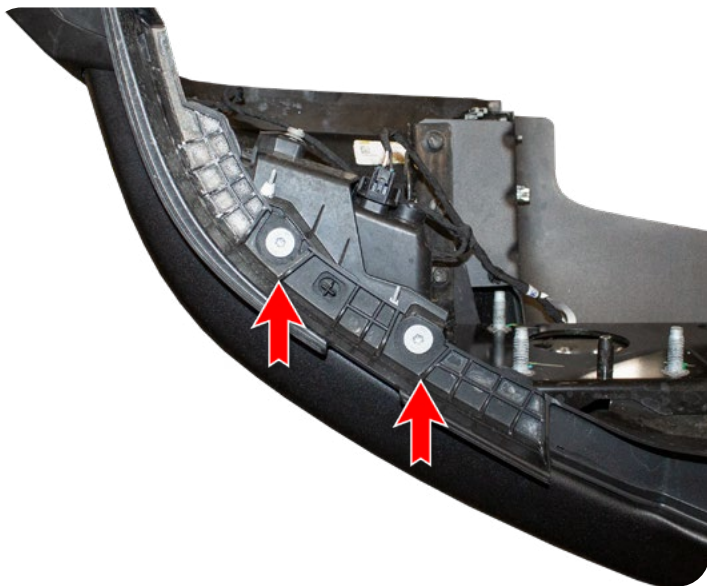
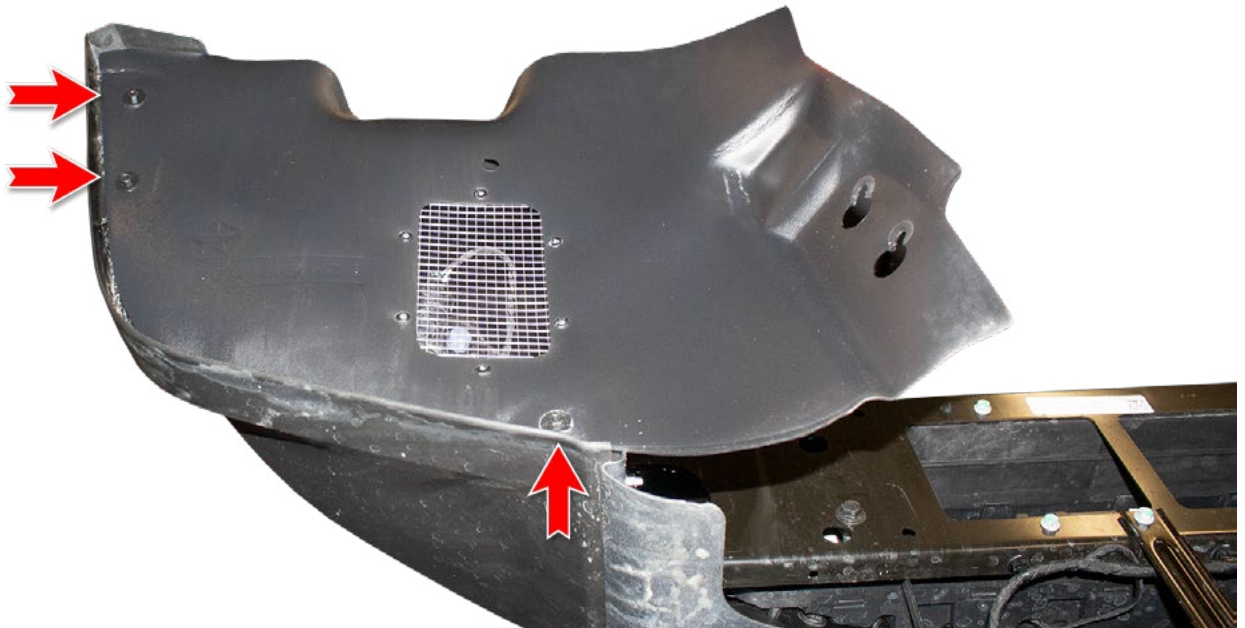


## BOMBER FRONT BUMPER DUAL 20 2025-UP/RAM RHO

## REMOVAL

### □ STEP 11

Use an (8mm Socket) to remove the three mounting bolts (per side) that hold the inner liner to the bumper. Remove the fog lights from the OEM bumper. To do this, remove the two vertical facing bolts (T40 Torx Socket) along the top side of the fog light. Then, remove the (10mm bolt) and nut along the bottom side of the fog light piece. Unplug the fog light and remove.

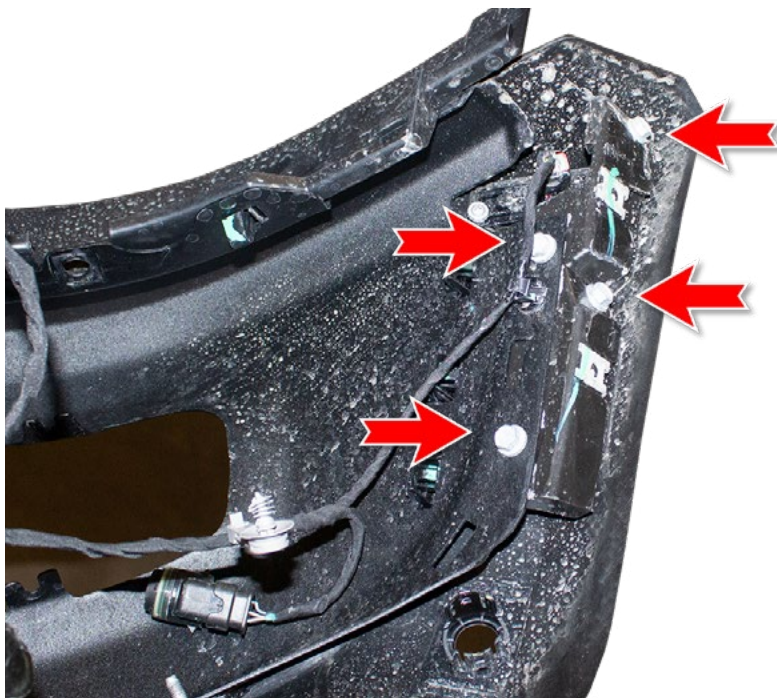
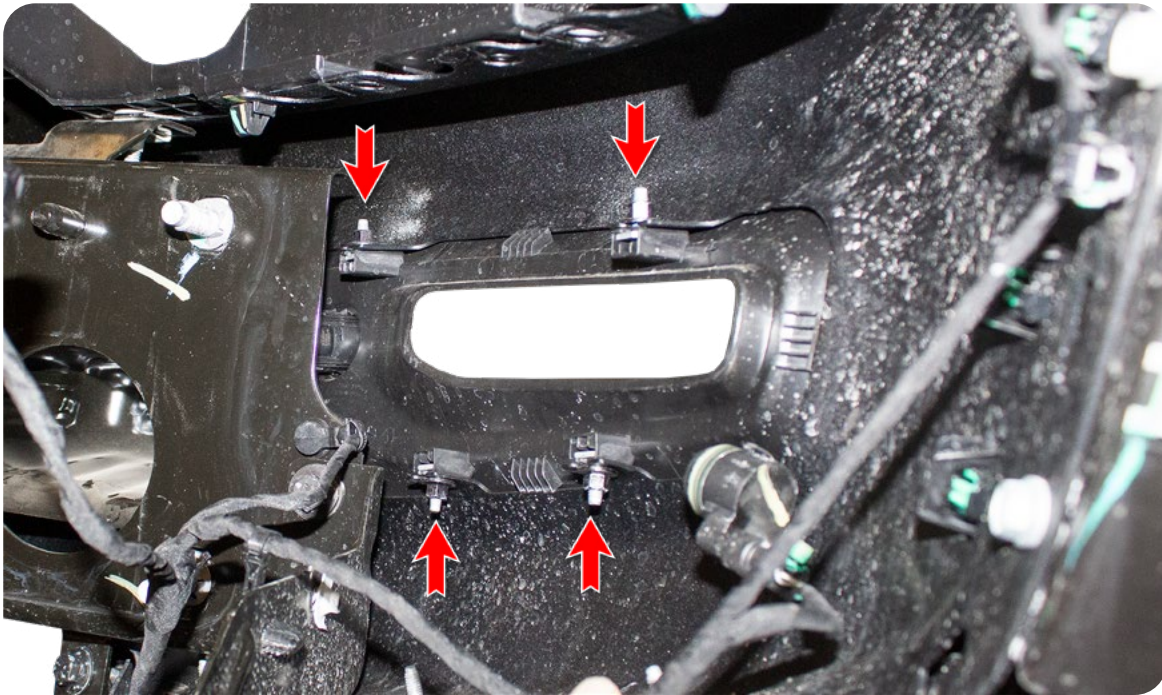


## BOMBER FRONT BUMPER DUAL 20 2025-UP/RAM RHO

## REMOVAL

### □ STEP 12

Use an (8mm Socket) to remove the mounting nuts that hold the fog light trim piece and the sensor bezels. Then use a (10mm Socket) to remove the four bolts that hold the plastic trim piece to the edge of the OEM bumper. Then, remove that piece and use a Phillip's Head Screwdriver to remove the two marker light mounting screws. Remove the marker lights from the bumper.

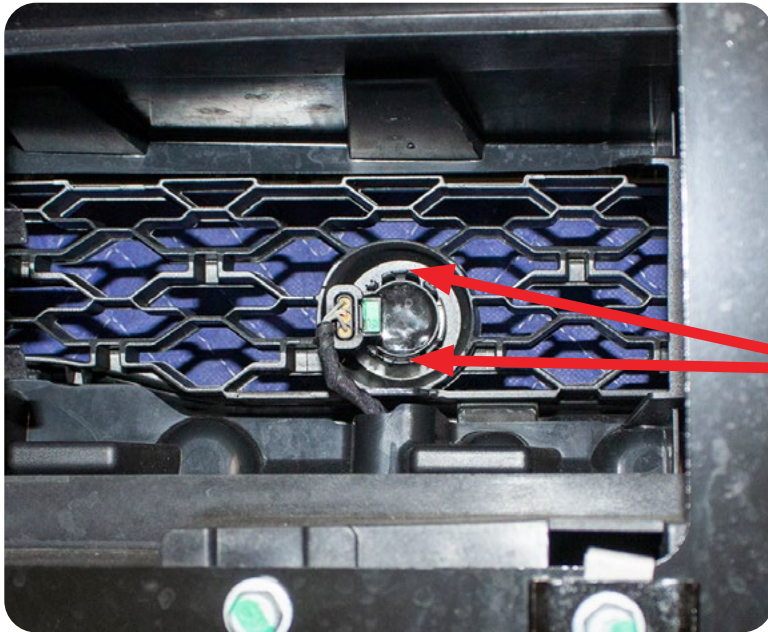


## BOMBER FRONT BUMPER DUAL 20 2025-UP/RAM RHO

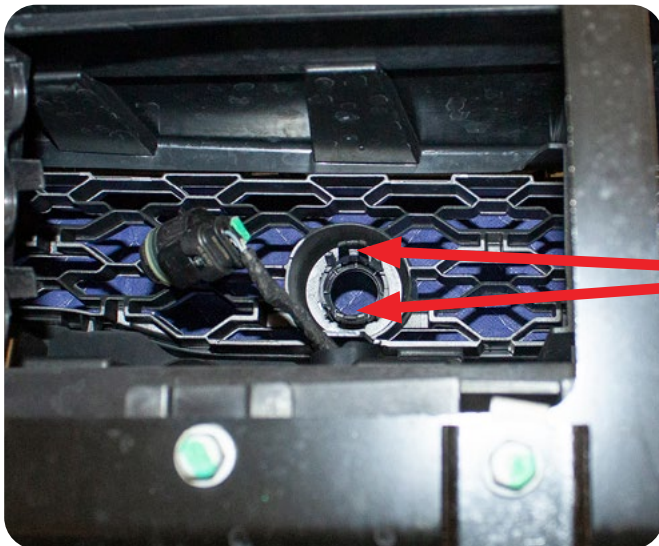
## REMOVAL

### □ STEP 13

Remove the four parking sensors from their mounting rings. To do this, spread the tabs on the back side of the rings and push the sensors out the back side. Then remove the bezels. Make sure to keep track of the position/orientation they come off your OEM bumper so you can reinstall them in the same position/orientation on your new bumper. **\*\*Only remove the 2 inner sensor bezels NOT the outer bezels\*\***



Spread these two tabs to release the parking sensor from its mounting ring



Squeeze these two tabs to release the mounting rings from the bumper

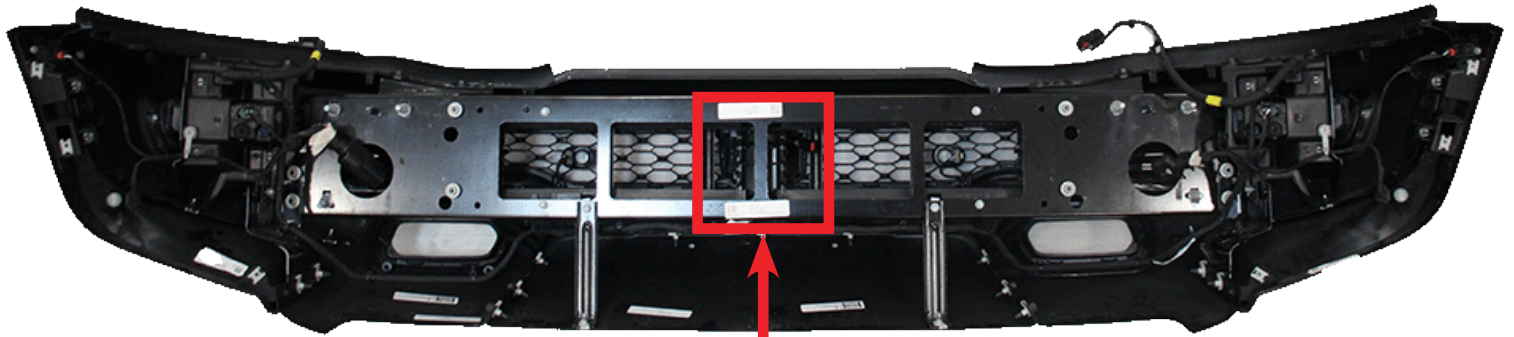


## BOMBER FRONT BUMPER DUAL 20 2025-UP/RAM RHO

## REMOVAL

### □ STEP 14

Remove the ACC module from the bumper and follow the ACC relocation bracket install guide located on our website and come back to finish the install.

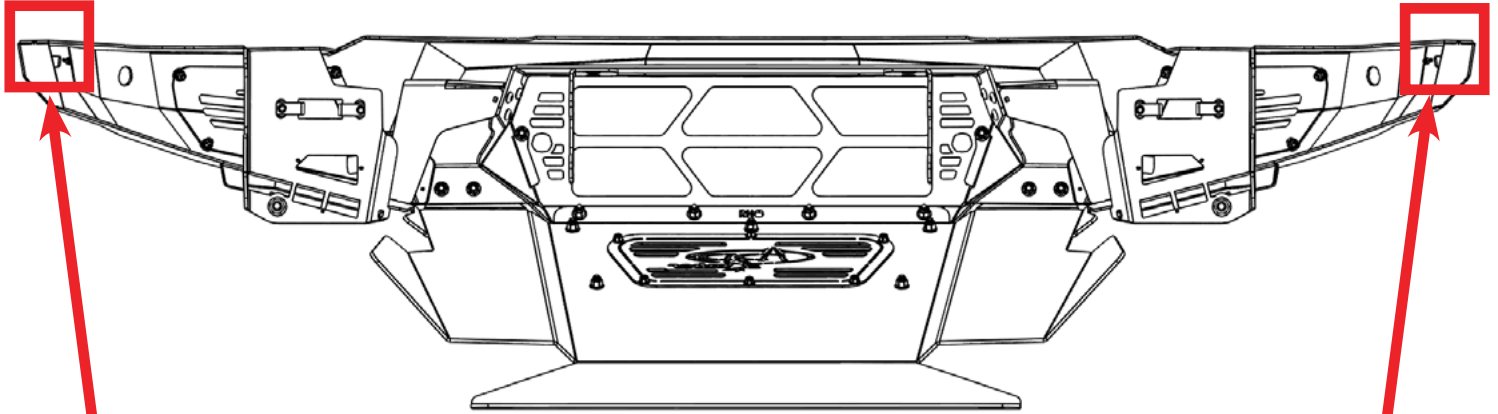


## BOMBER FRONT BUMPER DUAL 20 2025-UP/RAM RHO

## INSTALL

### □ STEP 15

Install the OEM marker lights with the provided (A, A1) #8 Bolts using a (3/16 allen) and a (1/32 wrench). **Do not over tighten these bolts due to breakage**

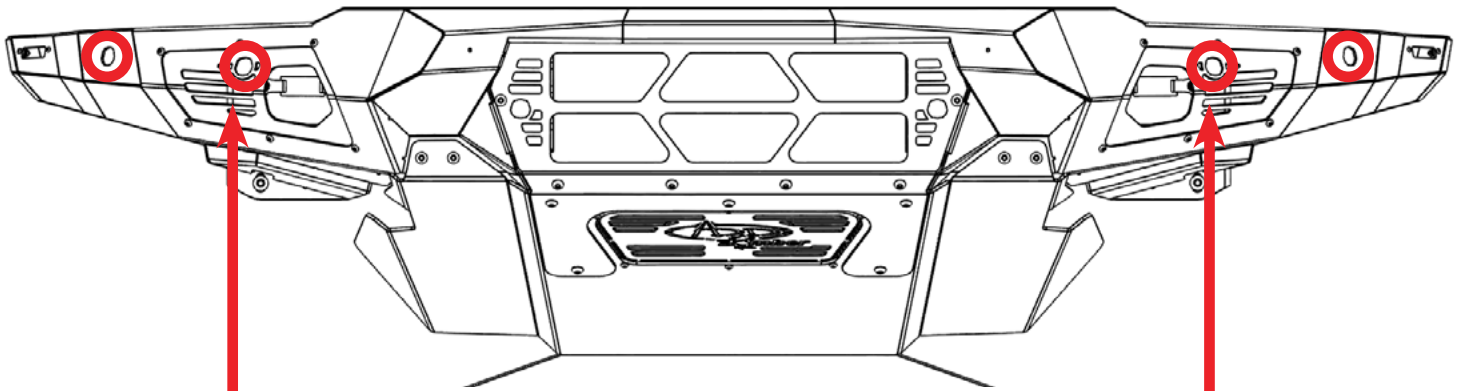


## BOMBER FRONT BUMPER DUAL 20 2025-UP/RAM RHO

## INSTALL

### □ STEP 16

On the two outer sensor locations install the sensors in the provided (D, D1) bezels with the skinny side facing up. You will notice that one side will be oriented the same as factory and the driver side will be 180 degrees opposite. **\*\*Also note that the sensor plug needs to be 90 degrees to the ground\*\*** If your sensor bezel is loose in the bumper and can easily be rotated we recommend applying a small dab of silicone or epoxy to the back side to prevent them from rotating.

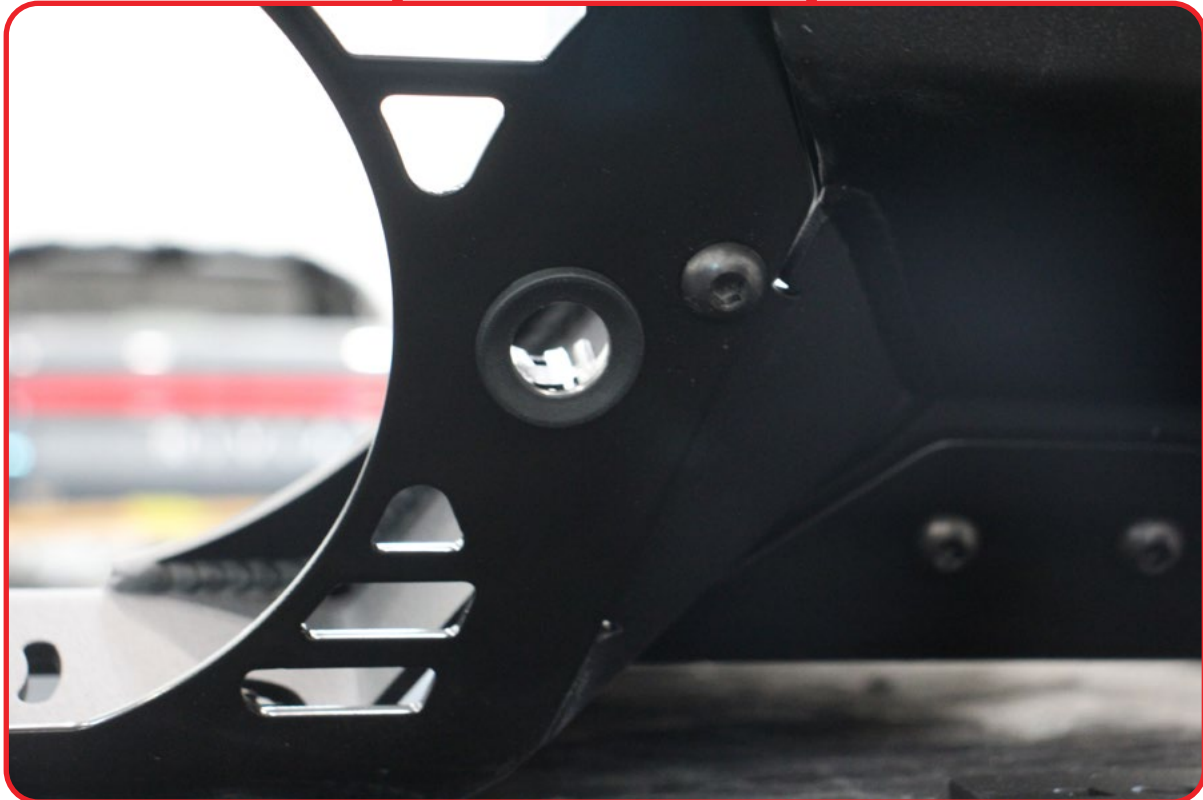
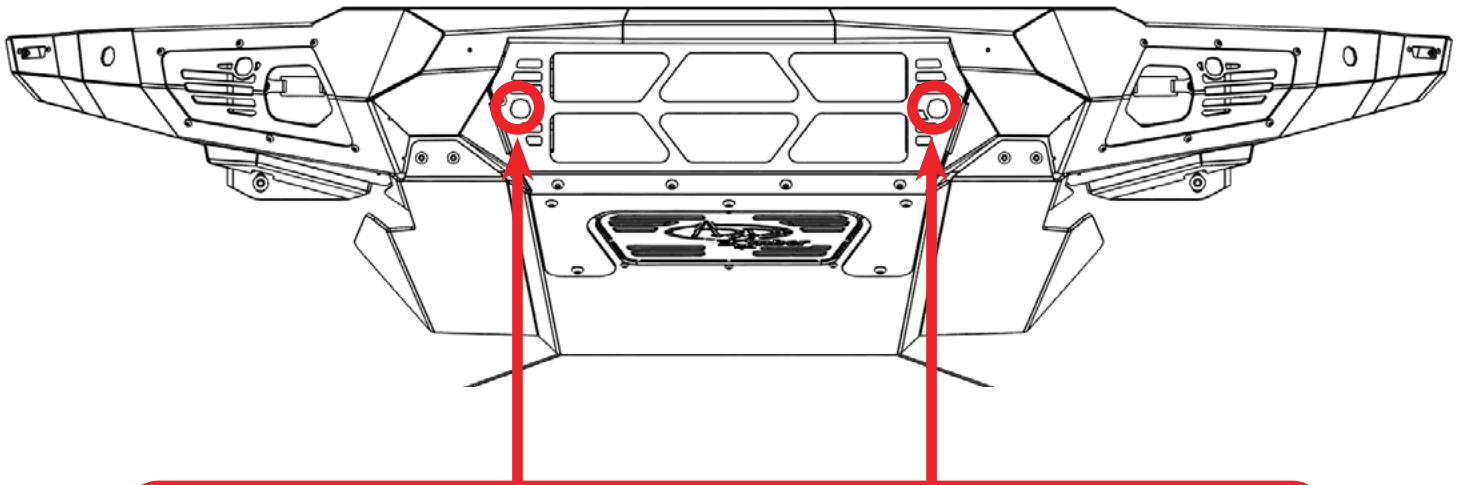


## BOMBER FRONT BUMPER DUAL 20 2025-UP/RAM RHO

## INSTALL

### □ STEP 17

Install the inner two parking sensor bezels. Do this by pressing them into their precut holes until they click into place. Make sure to install them in the same position/orientation as they came off your OEM bumper.





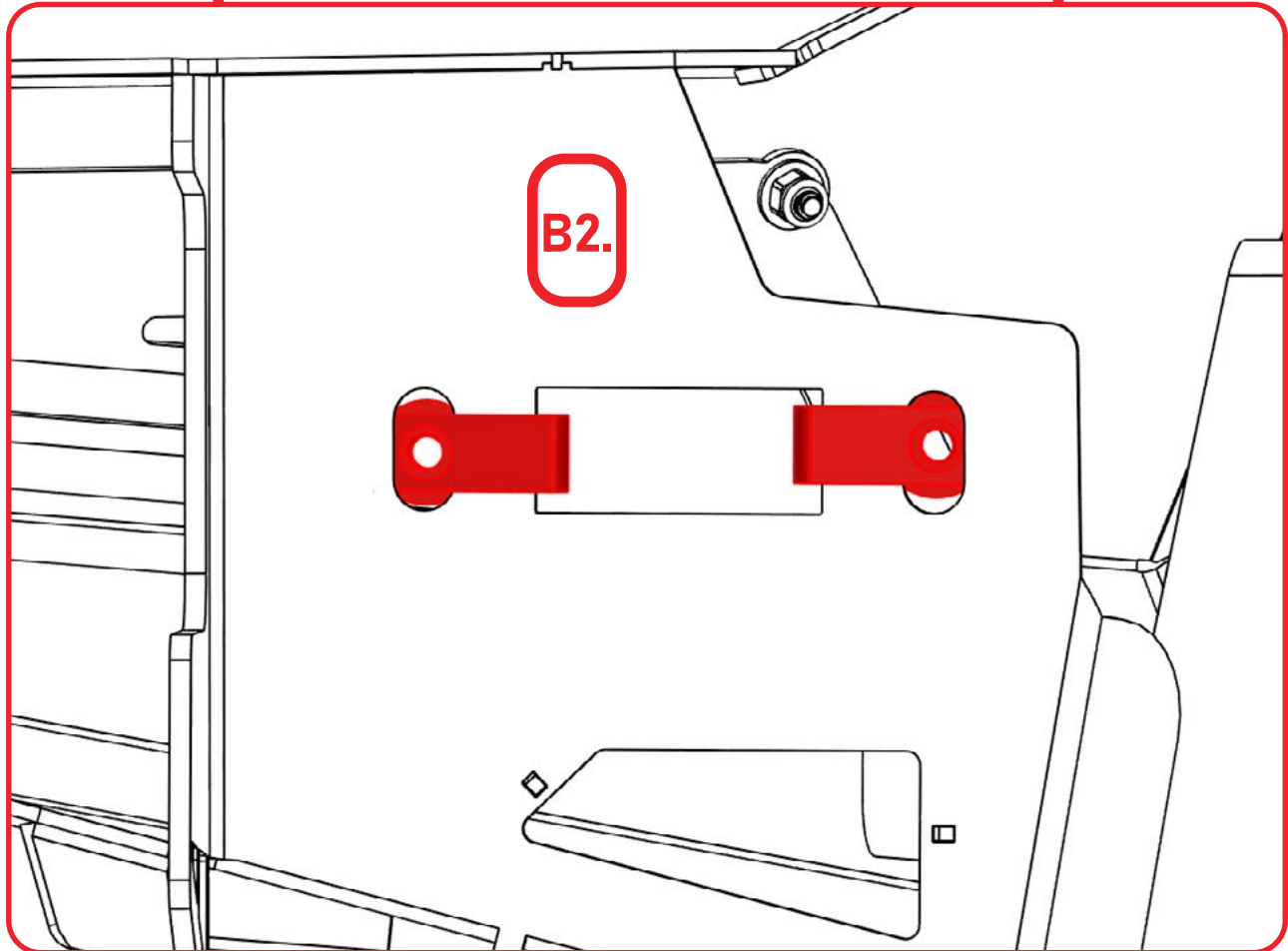
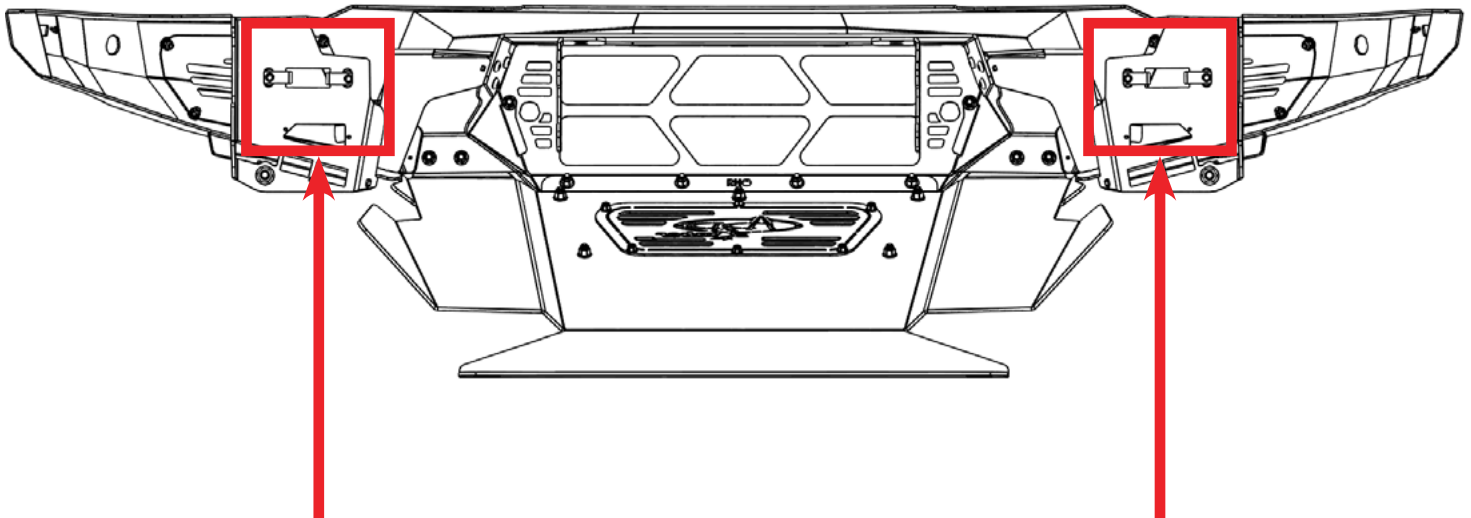
# INSTALLATION GUIDE

## BOMBER FRONT BUMPER DUAL 20 2025-UP/RAM RHO

## INSTALL

### STEP 18

Install the provided (B2) 3/8 nut clips onto the bumper as shown below.

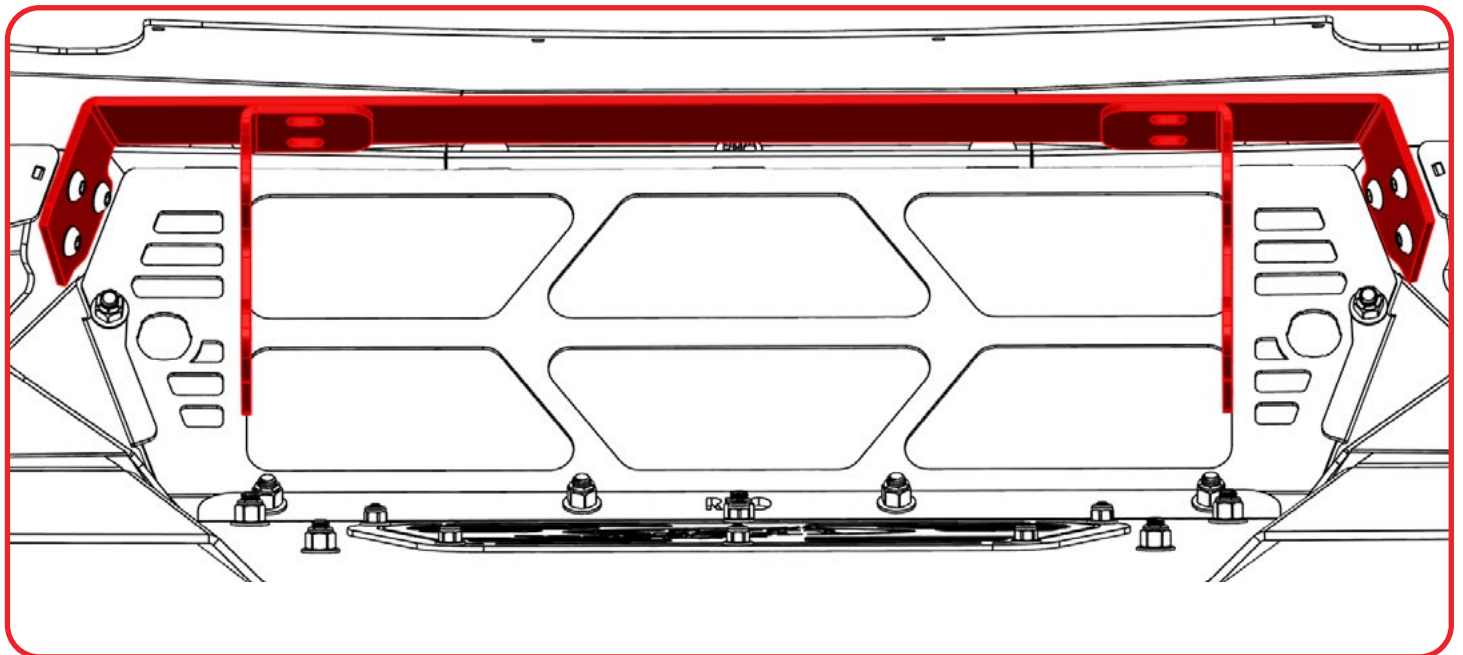
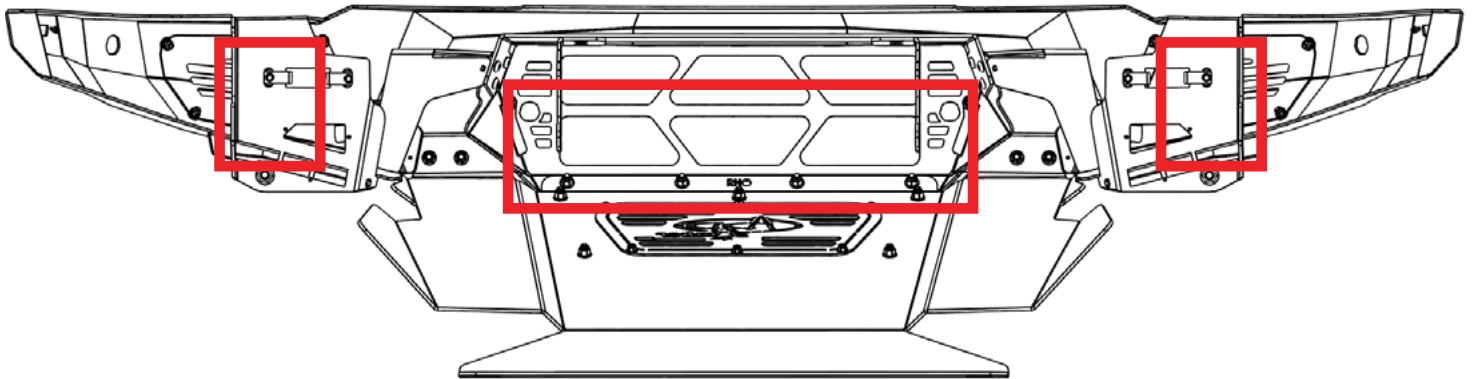


## BOMBER FRONT BUMPER DUAL 20 2025-UP/RAM RHO

## INSTALL

### □ STEP 19

Now would be a good time to install the lights.





# INSTALLATION GUIDE

## BOMBER FRONT BUMPER DUAL 20 2025-UP/RAM RHO

## INSTALL

### □ STEP 20

With a helping hand, install the bumper with the provided (C, C1, C2) 1/2" hardware using a (5/16 allen) and a (3/4 wrench).





# INSTALLATION GUIDE

## BOMBER FRONT BUMPER DUAL 20 2025-UP/RAM RHO

## INSTALL

### □ STEP 21

Next, install the provided **(B, B1)** 3/8" hardware using a (9/16 socket).







# INSTALLATION GUIDE

## BOMBER FRONT BUMPER DUAL 20 2025-UP/RAM RHO

## INSTALL

### □ STEP 22

Using the provided (E) shim plates, install on either driver, passenger or both to ensure you have an even gap reveal between the bumper and the grill as shown below.

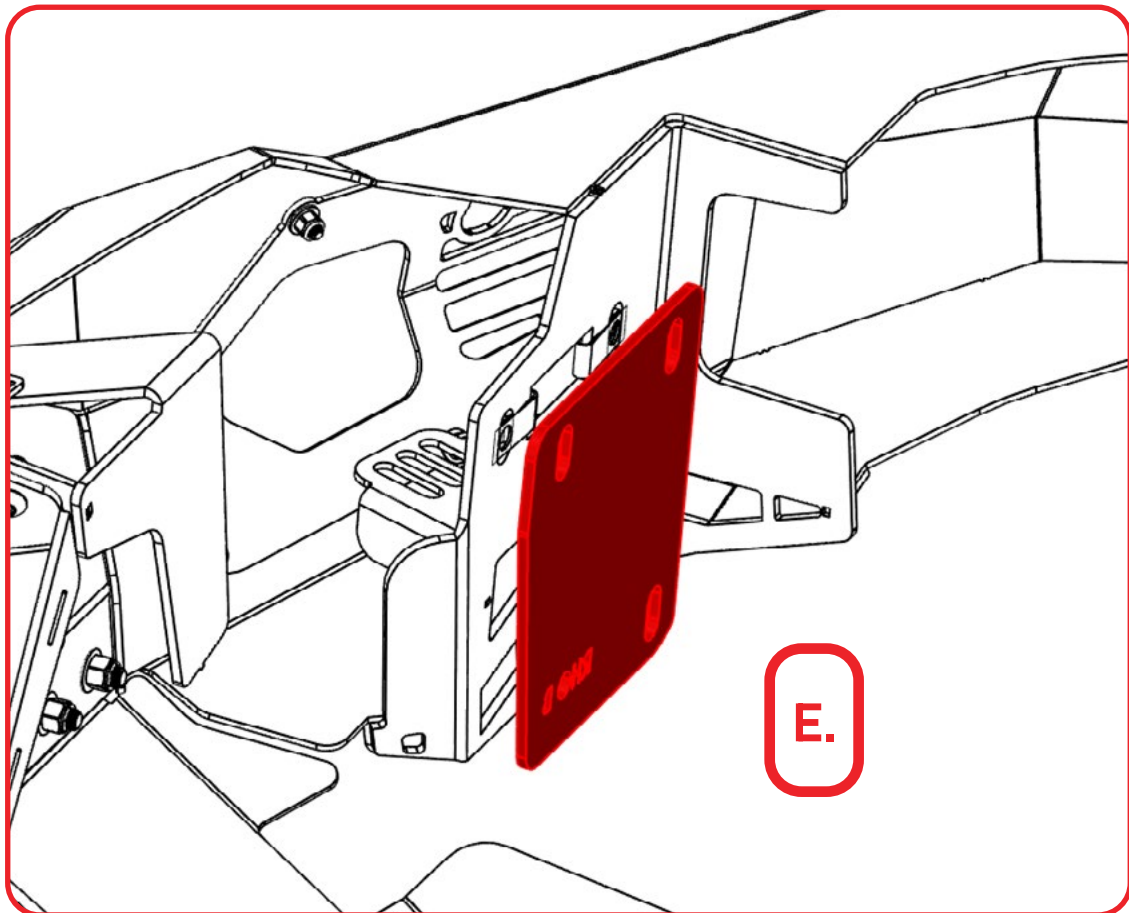
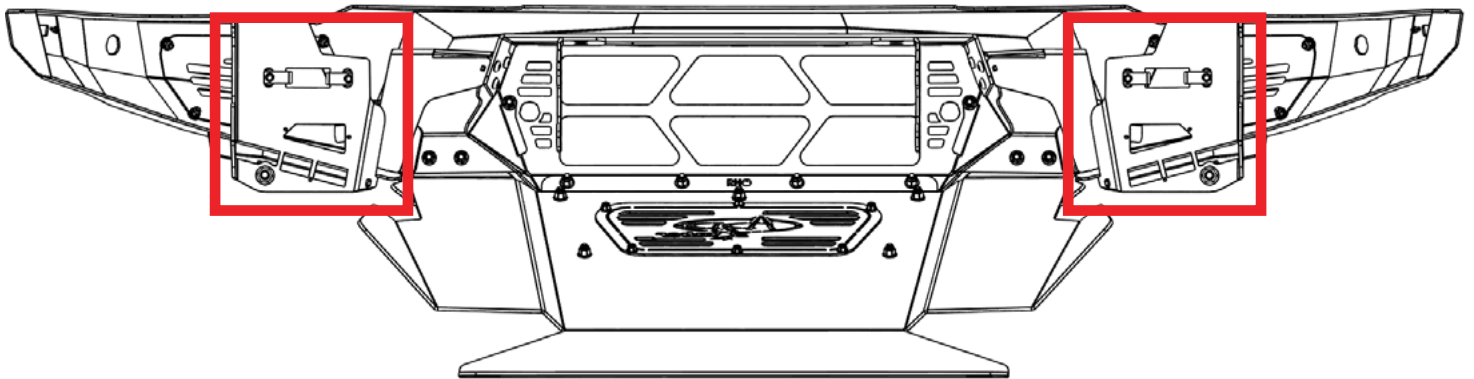




# INSTALLATION GUIDE

BOMBER FRONT BUMPER DUAL 20  
2025-UP/RAM RHO

## INSTALL





# INSTALLATION GUIDE

## BOMBER FRONT BUMPER DUAL 20 2025-UP/RAM RHO

## INSTALL

### □ STEP 23

Install the skid plate using a (16mm socket) with the OEM hardware removed from step 1.

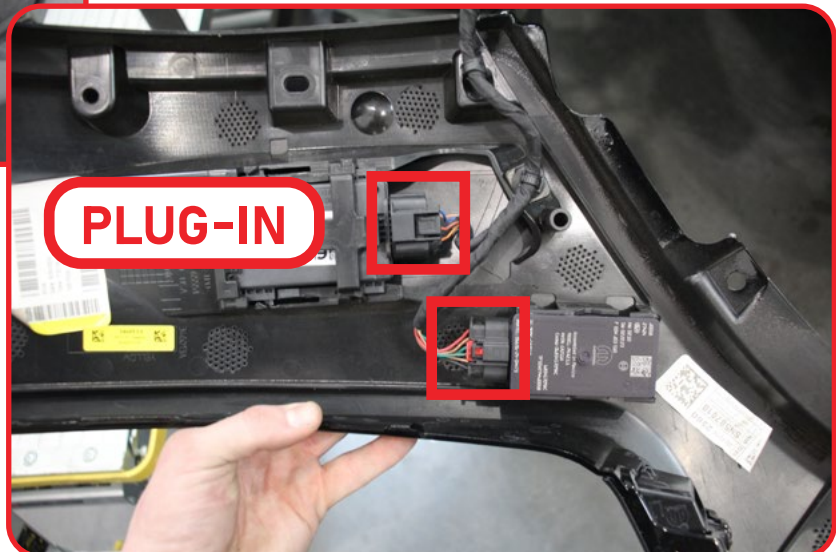


## BOMBER FRONT BUMPER DUAL 20 2025-UP/RAM RHO

## INSTALL

### □ STEP 24

Ensure to have the ACC plugged in before moving on with the install. Then re-install the plastic removed from **step 7**, ensure to plug in the blind spot sensors before installing.





# INSTALLATION GUIDE

## BOMBER FRONT BUMPER DUAL 20 2025-UP/RAM RHO

## INSTALL

### □ STEP 25

Using a (8mm socket) install the 2x bolts located above the headlight.



## BOMBER FRONT BUMPER DUAL 20 2025-UP/RAM RHO

## INSTALL

### □ STEP 26

Re-install the fender flair.



## BOMBER FRONT BUMPER DUAL 20 2025-UP/RAM RHO

## INSTALL

### □ STEP 27

Using a (8mm socket) install the bolts located in the wheel well for the fender flair.

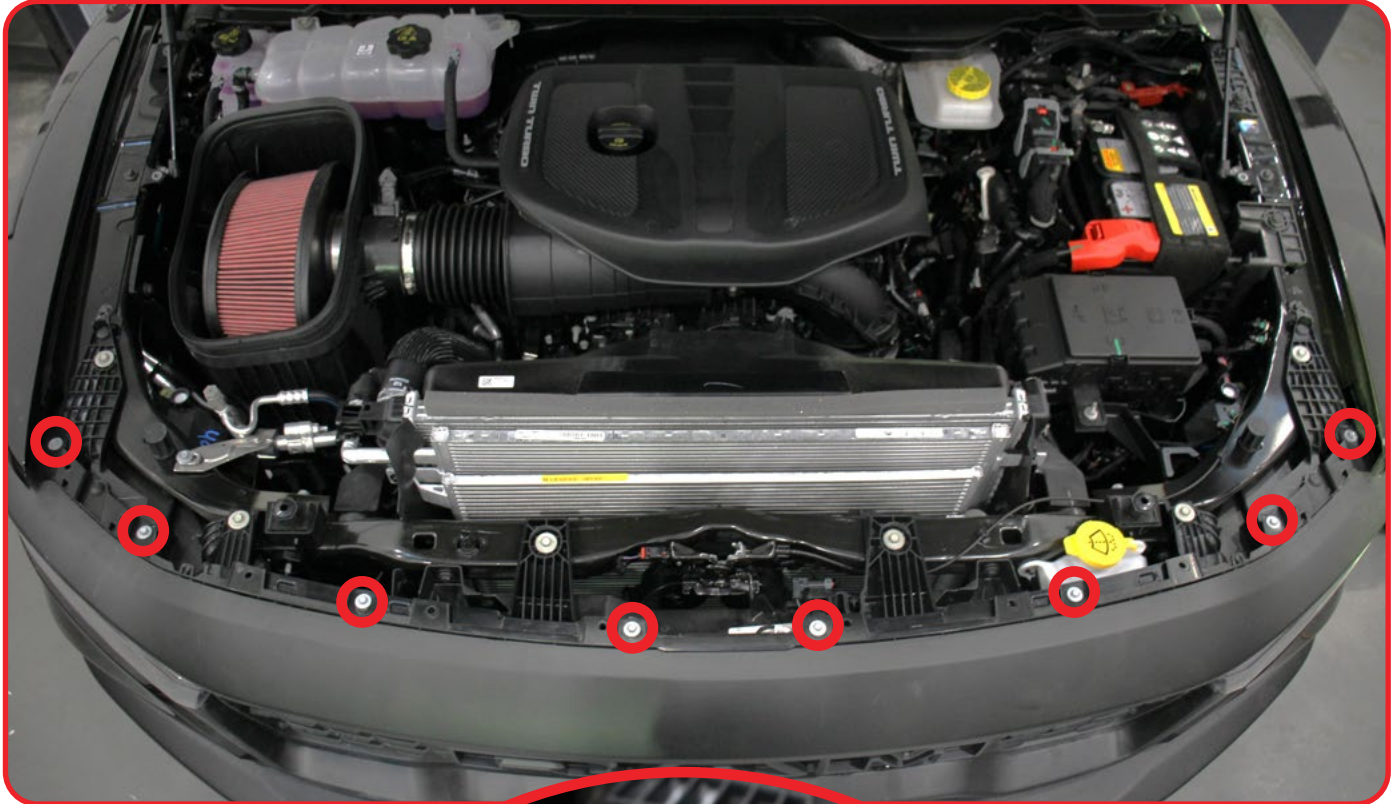


## BOMBER FRONT BUMPER DUAL 20 2025-UP/RAM RHO

## INSTALL

### □ STEP 28

Using a (8mm socket) install the 8x bolts highlighted below.





## BOMBER FRONT BUMPER DUAL 20 2025-UP/RAM RHO

## INSTALL

### STEP 29

Install all 12x push pins holding the top shroud located underneath the hood.





# INSTALLATION GUIDE

## BOMBER FRONT BUMPER DUAL 20 2025-UP/RAM RHO

## FINAL

### STEP 30

Stand back and enjoy your new ADD Bomber Front Bumper.

Check and re-tighten all mounting bolts after 100 miles and periodically thereafter.



THIS PRODUCT IS PROTECTED BY ONE OR MORE U.S. PATENTS  
[WWW.ADDICTIVEDESERTDESIGNS.COM/PATENTS](http://WWW.ADDICTIVEDESERTDESIGNS.COM/PATENTS)

FOR ADDITIONAL SUPPORT OR TECHNICAL QUESTIONS,  
PLEASE CALL 480-671-0820 OR  
EMAIL [INFO@ADDICTIVEDESERTDESIGNS.COM](mailto:INFO@ADDICTIVEDESERTDESIGNS.COM)