



# INSTALLATION GUIDE

## 2024-UP/GMC SIERRA 2500 & 3500

### PHANTOM WINCH FRONT BUMPER

F730335070103



#### TOOLS REQUIRED

(Torx) T15

(Allen) 7/32, 5/32

(Wrench) 7mm, 10mm, 13mm, 15mm, 18mm, 7/16, 9/16, 3/4

(Socket) 7mm, 10mm, 13mm, 15mm, 18mm, 7/16, 9/16, 3/4

Ratchet

Flat Head/Fastener Remover

Needle Nose Pliers



#### TIME REQUIRED

- 4 hours for OEM Removal/Bumper Install

-1 Additional Hour to Wire Lights

**\*\*Labor Rates are based on a vehicle with no pre-existing damage. Wiring labor is based on a standard wiring procedure with light switches installed in an easily accessible location. Custom light triggering or switch mounting location will result in a greater labor charge.\*\***



#### SKILL LEVEL



Easy

**\*\*This installation requires 2 people for best results\*\***

## ⚠️ WARNINGS/CAUTIONS BEFORE STARTING INSTALLATION ⚠️

-BEFORE YOU INSTALL THIS KIT-

**Read and understand all instructions,**

warnings, cautions, & notes contained in this installation instruction guide. Consult your vehicle owner's manual for proper disconnection of electrical and lifting of vehicle if required for installation of this product.

This install may require some technical skills and knowledge of basic mechanical work. If you do not feel that you are capable of performing this install please take this product to a trained professional.

After reading this guide please contact us with any questions or concerns before installing product.

Customer Service (480) 671-0820

Addictive desert designs is not responsible for any bodily injury or harm to you or your vehicle as a result of an improper install.

Proper installation of this kit required knowledge of the factory recommended procedures for removal and installation of original equipment components.

We recommend that the factory shop manual and any special tools needed to service your vehicle be on hand during the installation. Installation of this kit without proper knowledge of the factory recommended procedures may affect the performance of these

components and the safety of the vehicle. Inspect all contents of this package to make sure product is not damaged and all installation hardware has been included. If parts are missing from kit, please be prepared to provide the following information:

1. Name of purchase location
2. Bar Code on side of box
3. Date above bar code
4. Date inside box cover

**\*ALWAYS WEAR EYE PROTECTION WHEN OPERATING POWER TOOLS\***



# INSTALLATION GUIDE

## HARDWARE

**A.**



1/4-20 X 3/4 BUTTON HEAD BOLT

QTY: 4

**A1.**



1/4" FLAT WASHER

QTY: 4

**A2.**



1/4-20" NYLON LOCK NUT

QTY: 4

**B.**



3/8-16 X 1" BUTTON HEAD BOLT

QTY: 12

**B1.**



3/8" FLAT WASHER

QTY: 16

**B2.**



3/8-16" NYLON LOCK NUT

QTY: 16

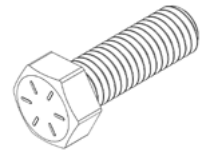
**B3.**



3/8-16 X 1" CARRIAGE BOLT

QTY: 4

**C.**



1/2-13 X 1 1/2" HEX HEAD BOLT

QTY: 16

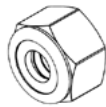
**C1.**



1/2" FLAT WASHER

QTY: 24

**C2.**



1/2-13" NYLON LOCK NUT

QTY: 8

### SENSOR GROMMETS SUPPLIED FOR NON SENSOR TRIMS



3/4" RUBBER SENSOR GROMMET  
QTY: 4



3/4" PLASTIC SENSOR GROMMET PLUG  
QTY: 4

Reference this page throughout the install

## PARTS

**D.**



FLAG NUT PLATES

QTY: 2

**E.**



SPH0085

QTY: 2

**F.**



SPH0075

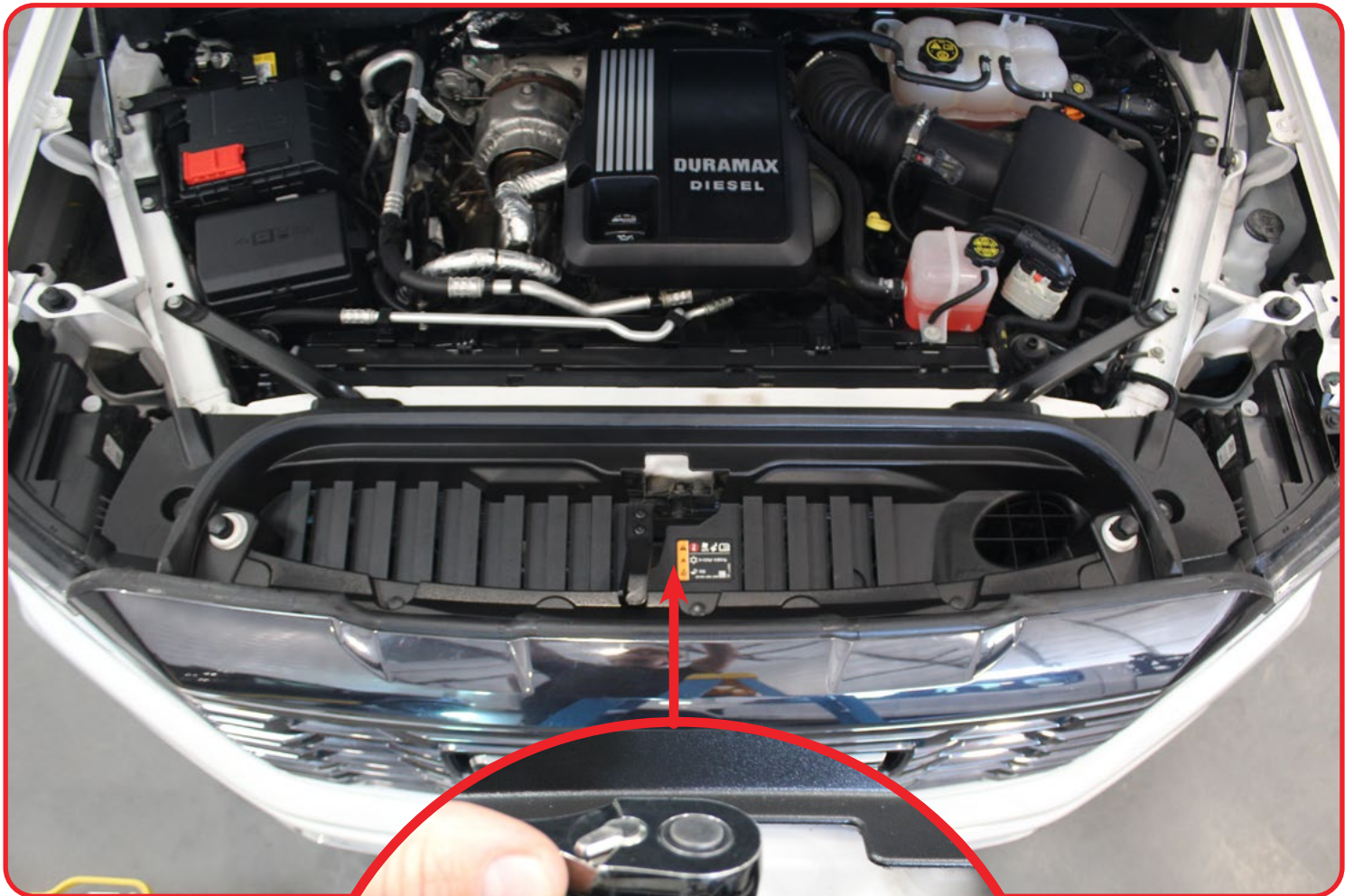
QTY: 2

## PHANTOM WINCH FRONT BUMPER 2024-UP/GMC SIERRA 2500 & 3500

## REMOVAL

### □ STEP 1

Using a (T15 torx), remove the hood handle as shown below. **(Keep hardware)**







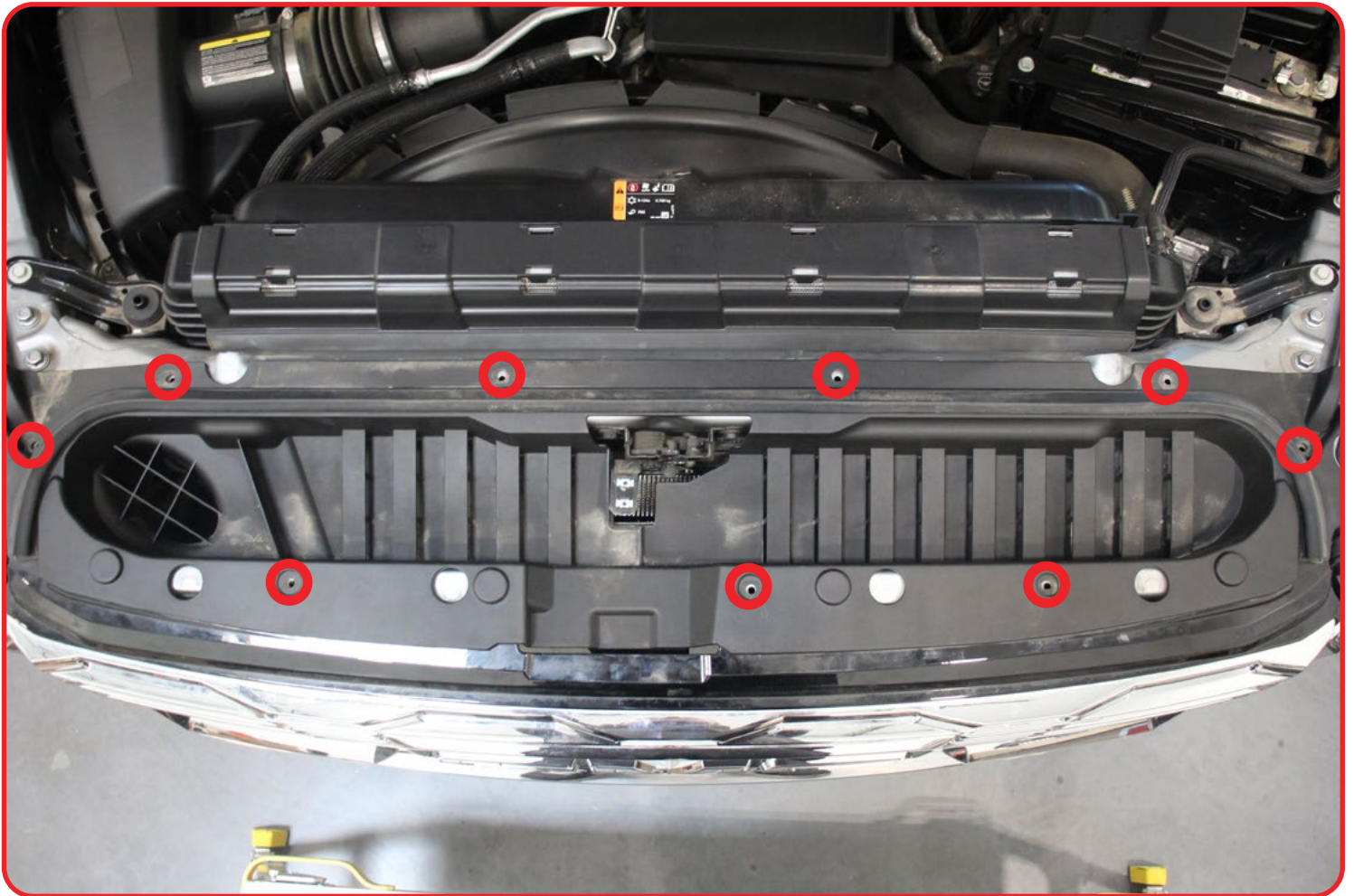
# INSTALLATION GUIDE

## PHANTOM WINCH FRONT BUMPER 2024-UP/GMC SIERRA 2500 & 3500

## REMOVAL

### STEP 2

Using a (fastener remover), remove the push pins as shown below. (Keep hardware)





# INSTALLATION GUIDE

## PHANTOM WINCH FRONT BUMPER 2024-UP/GMC SIERRA 2500 & 3500

## REMOVAL

### □ STEP 3

Using a (10mm socket), remove the 4x bolts holding the grill. (Keep hardware)







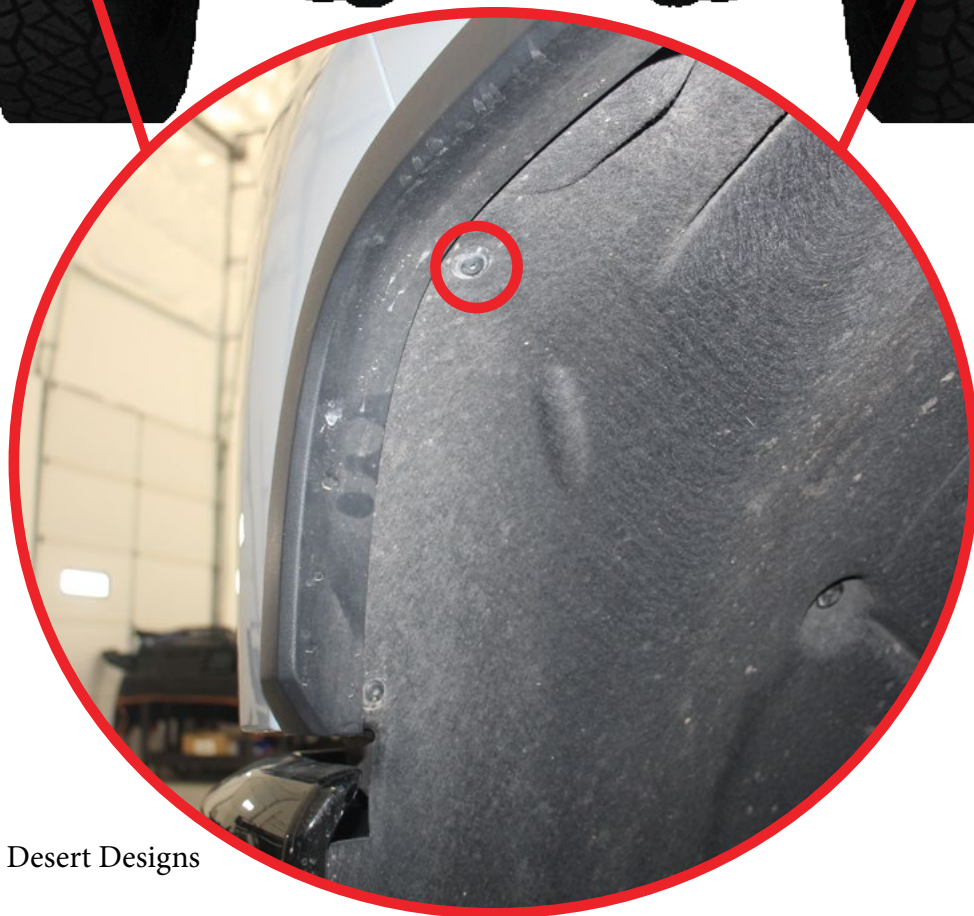
# INSTALLATION GUIDE

## PHANTOM WINCH FRONT BUMPER 2024-UP/GMC SIERRA 2500 & 3500

## REMOVAL

### □ STEP 4

Using a (T15 torx), remove the 2x bolts located inside the wheel well as shown below. (Keep hardware)





# INSTALLATION **GUIDE**

## PHANTOM WINCH FRONT BUMPER 2024-UP/GMC SIERRA 2500 & 3500

## REMOVAL

### STEP 5

Pop the side fairings out by pulling outwards.







# INSTALLATION GUIDE

## PHANTOM WINCH FRONT BUMPER 2024-UP/GMC SIERRA 2500 & 3500

## REMOVAL

### □ STEP 6

Using a (7mm socket) remove the hardware highlighted below. (Keep hardware)



## PHANTOM WINCH FRONT BUMPER 2024-UP/GMC SIERRA 2500 & 3500

## REMOVAL

### STEP 7

Remove the plastic covers as shown below by pulling outwards.







# INSTALLATION **GUIDE**

## PHANTOM WINCH FRONT BUMPER 2024-UP/GMC SIERRA 2500 & 3500

## REMOVAL

### STEP 8

Unplug the front camera and the washer fluid line and remove the grill.





## PHANTOM WINCH FRONT BUMPER 2024-UP/GMC SIERRA 2500 & 3500

## REMOVAL

### STEP 9

Unplug the main wiring harness, located on passenger side. Next unplug the block heater located on driver side.



## PHANTOM WINCH FRONT BUMPER 2024-UP/GMC SIERRA 2500 & 3500

## REMOVAL

### □ STEP 10

Using a (18mm socket), remove the 4x OEM bolts located both on top of the bumper and inside as shown below.





## PHANTOM WINCH FRONT BUMPER 2024-UP/GMC SIERRA 2500 & 3500

## REMOVAL

### □ STEP 11

Using a (15mm socket), remove the bumper supports located under the bumper.



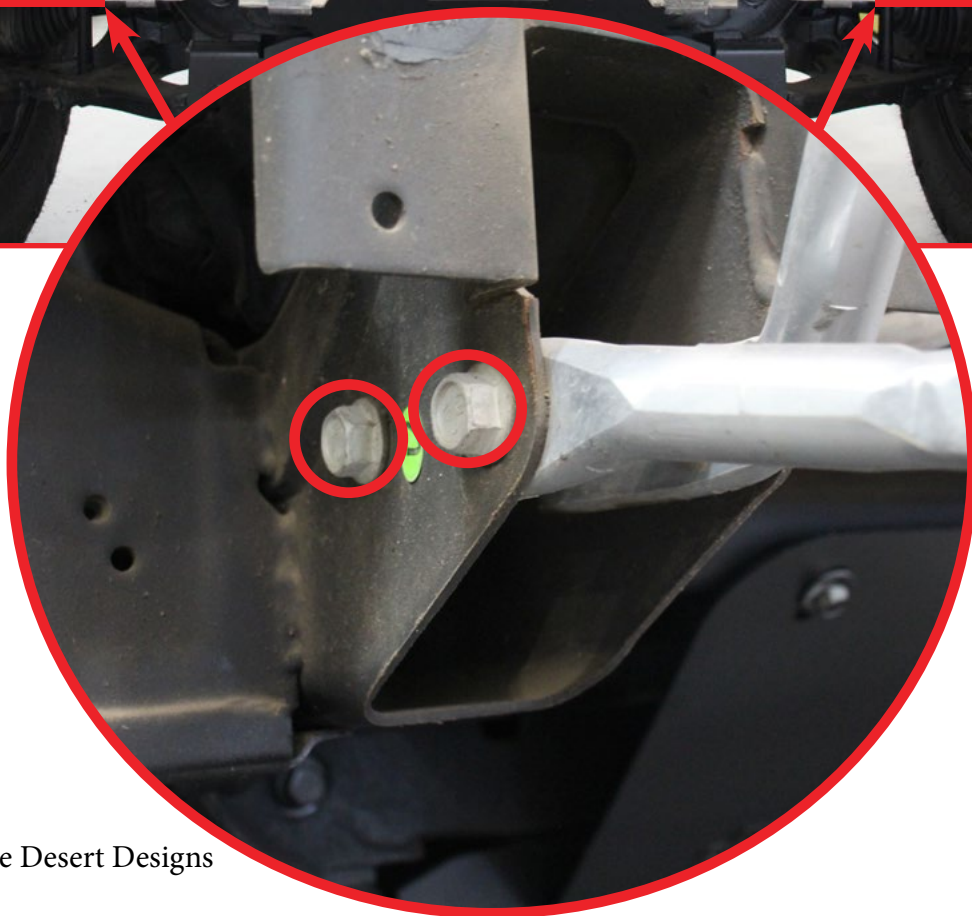
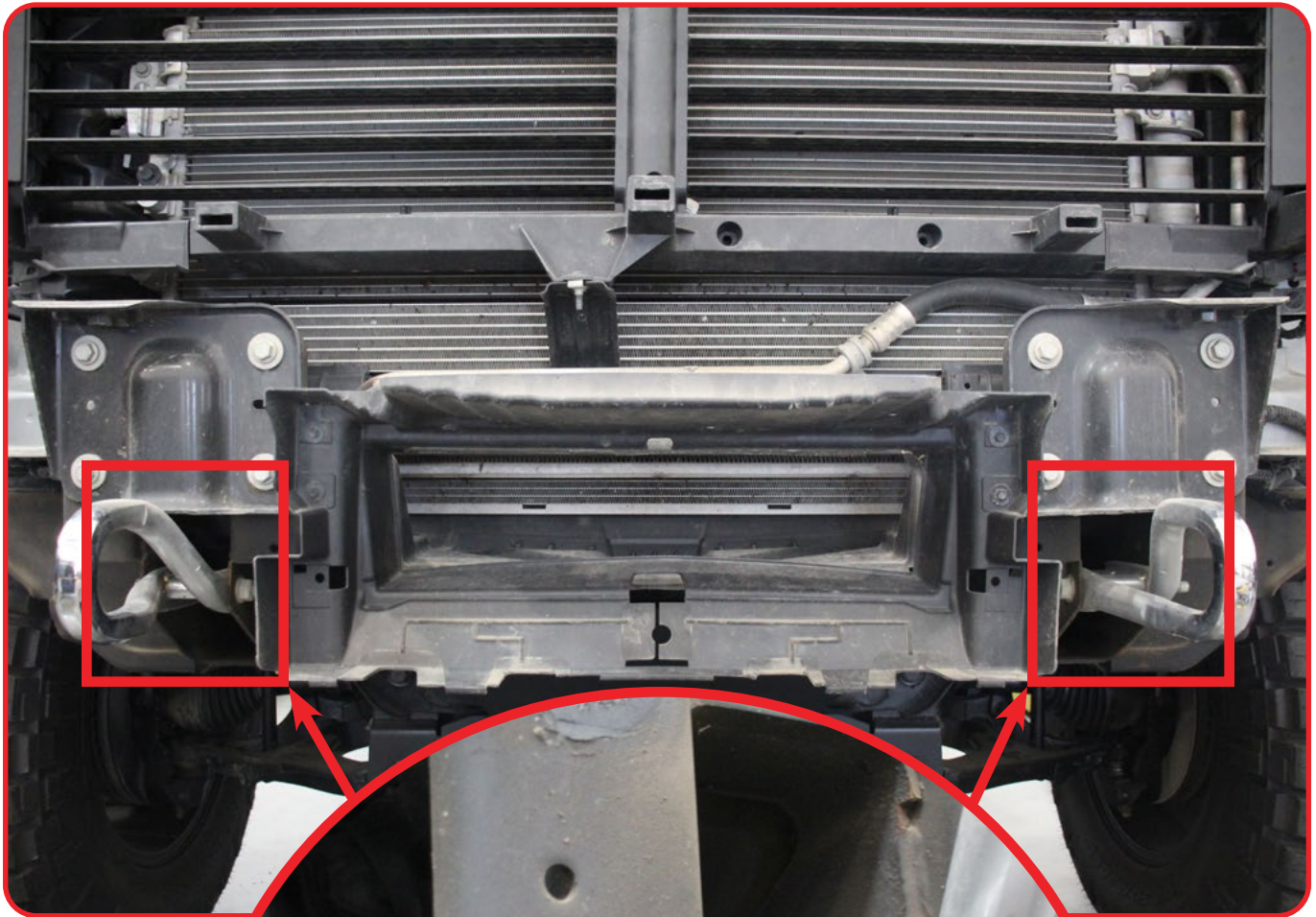


## PHANTOM WINCH FRONT BUMPER 2024-UP/GMC SIERRA 2500 & 3500

## REMOVAL

### □ STEP 12

Using a (18mm socket) remove the 4x tow hook mounting bolts.





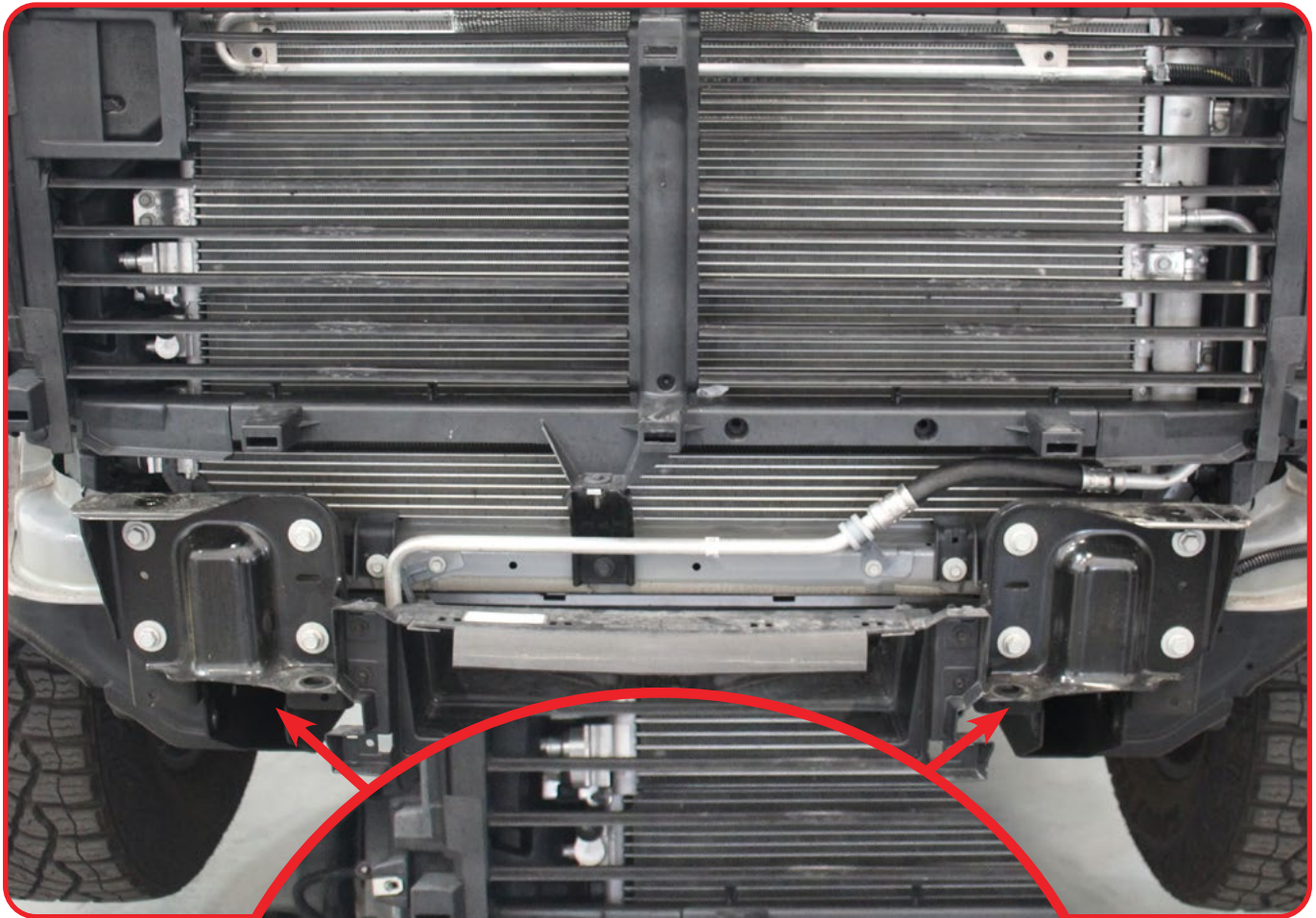
# INSTALLATION GUIDE

## PHANTOM WINCH FRONT BUMPER 2024-UP/GMC SIERRA 2500 & 3500

## REMOVAL

### □ STEP 13

Using a (15mm socket), remove the 6x bumper mounting bracket bolts. (Re-install the grill and valence by repeating steps 1-8)



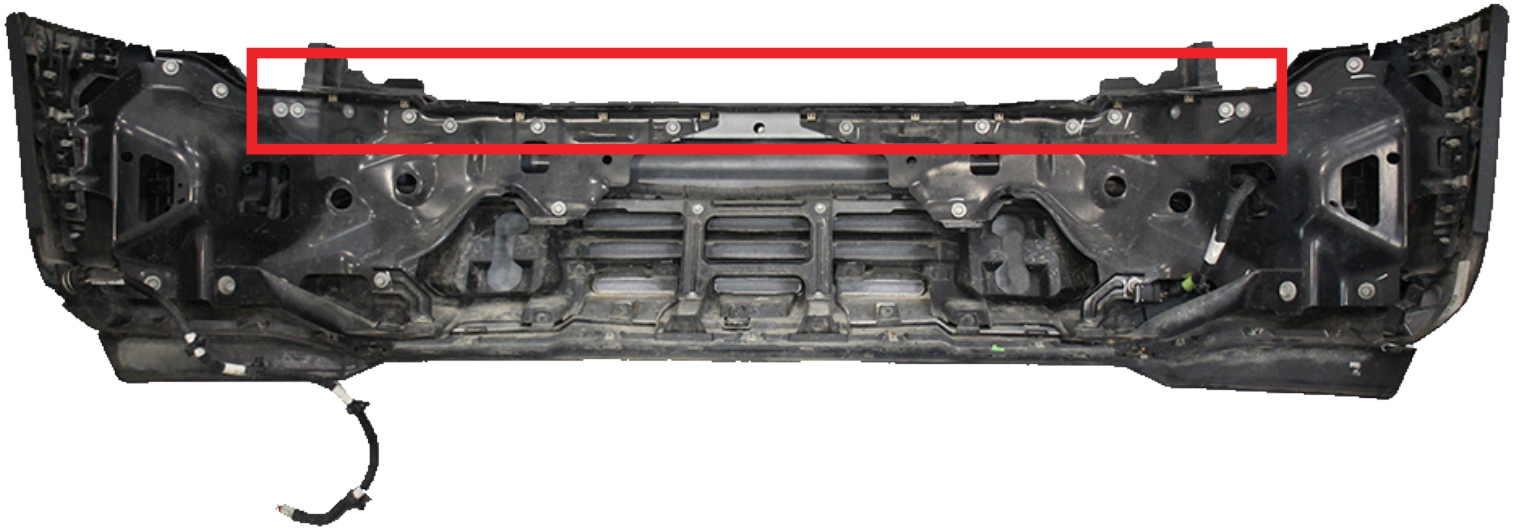


## PHANTOM WINCH FRONT BUMPER 2024-UP/GMC SIERRA 2500 & 3500

## REMOVAL

### □ STEP 14

Using (pliers) remove the plastic trim located on the top of the OEM bumper.



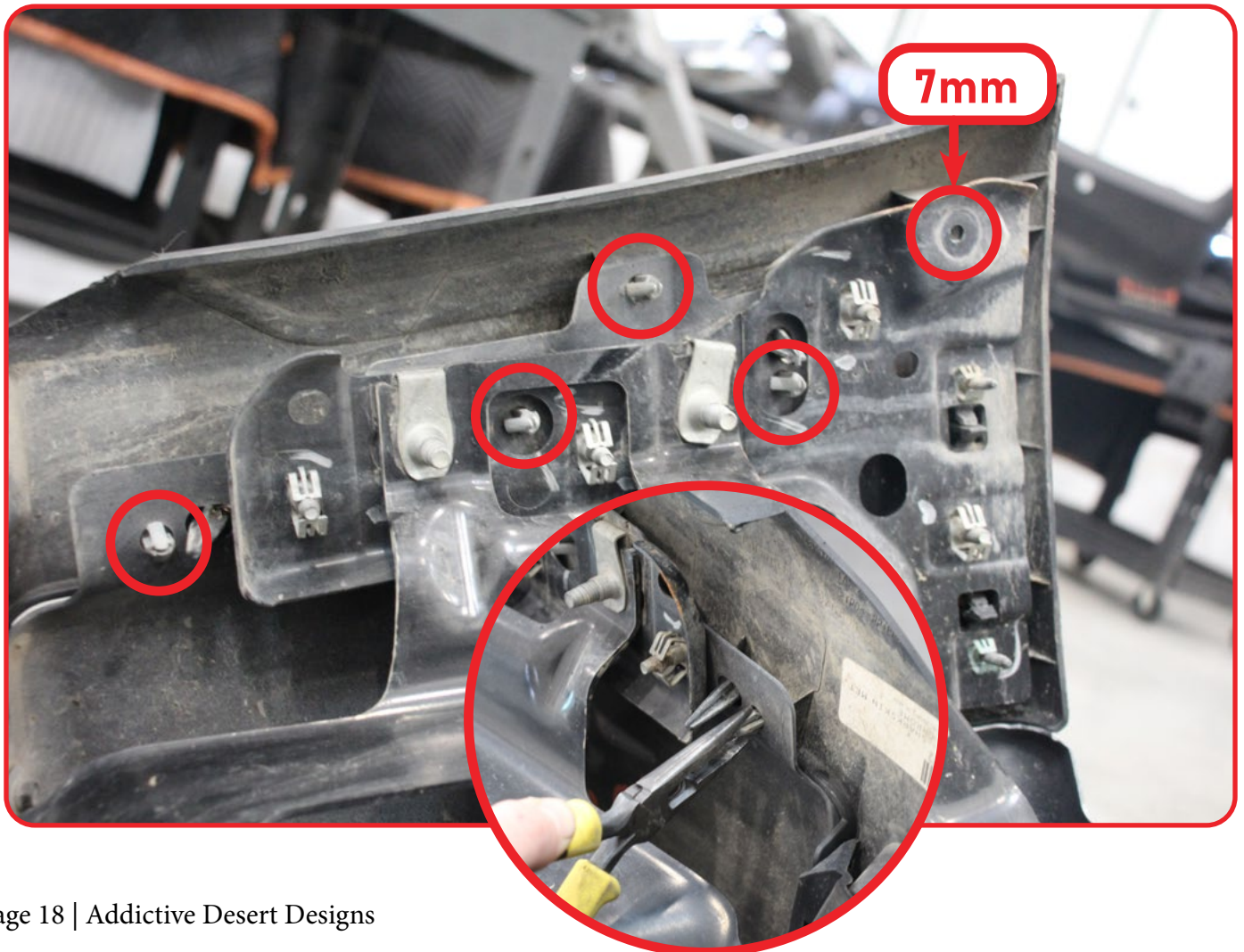
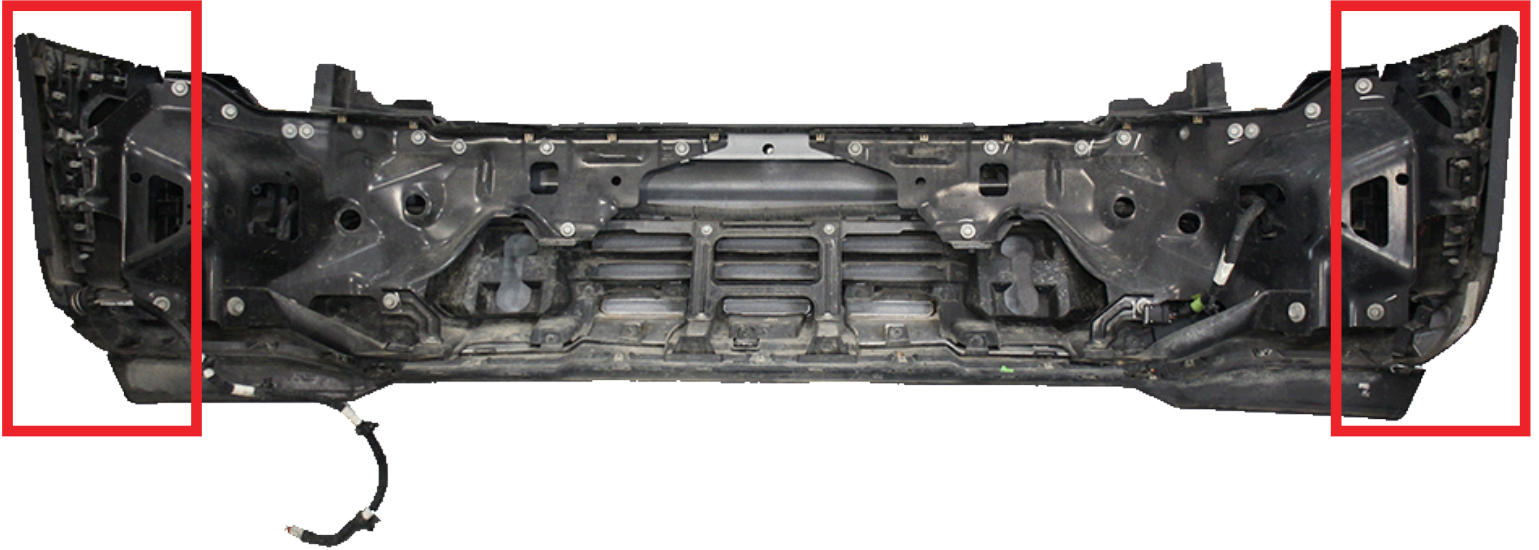


## PHANTOM WINCH FRONT BUMPER 2024-UP/GMC SIERRA 2500 & 3500

## REMOVAL

### □ STEP 15

Using a (7mm socket), remove the hardware shown below. Next using (pliers), squeeze the pins in while pulling on the plastic cover located on the far outside of the bumper.

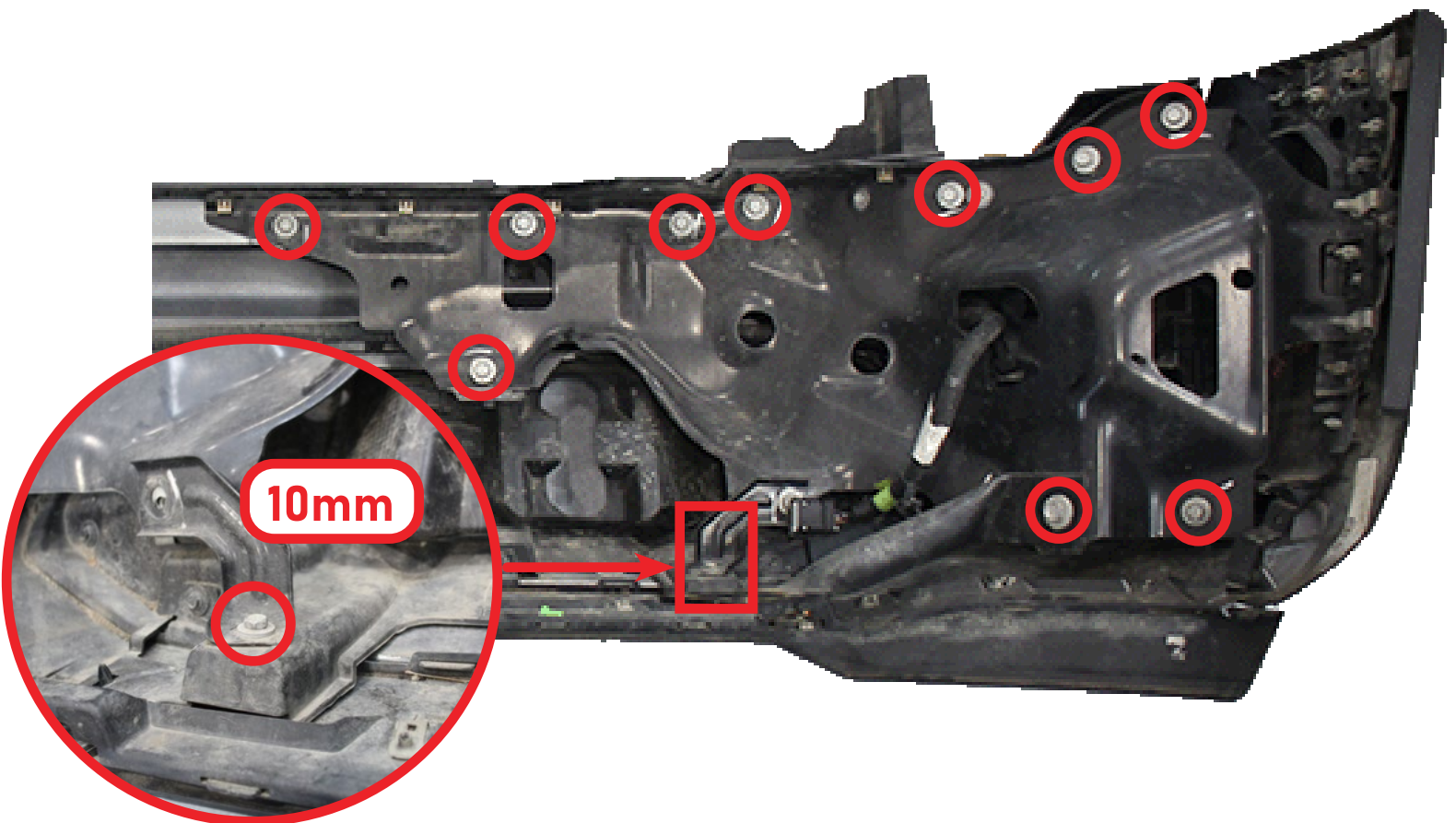
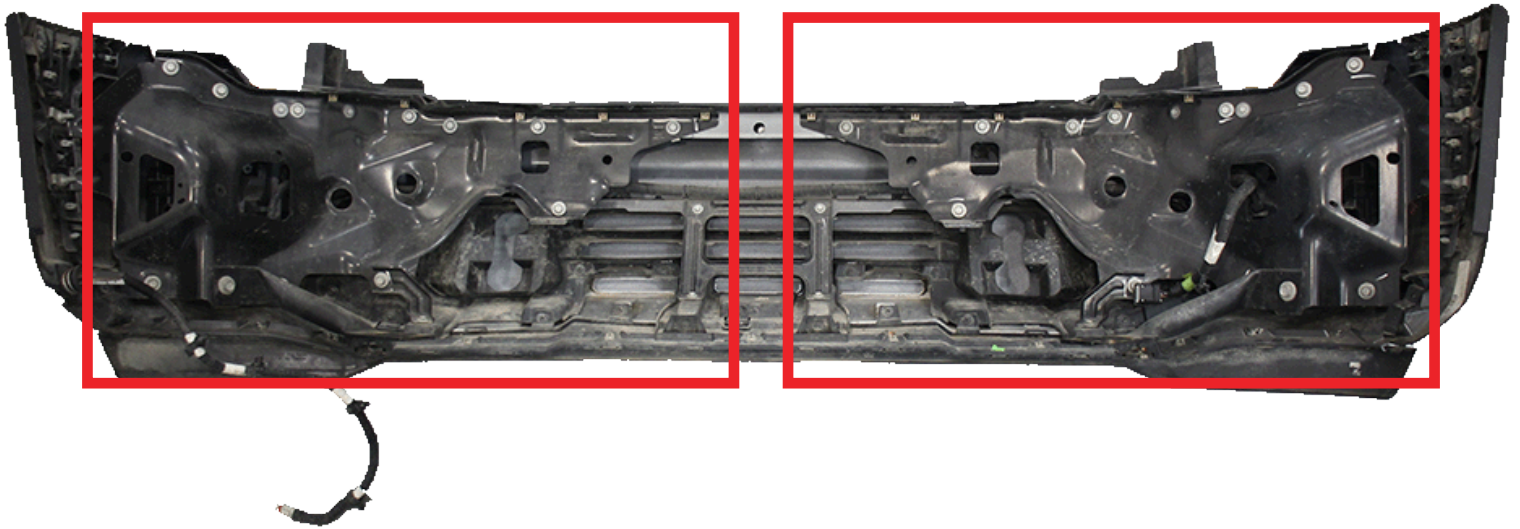


## PHANTOM WINCH FRONT BUMPER 2024-UP/GMC SIERRA 2500 & 3500

## REMOVAL

### □ STEP 16

Using a (13mm socket) and a (10mm socket) remove the covers on the backside of the OEM front bumper to expose the wiring harness and parking sensors.





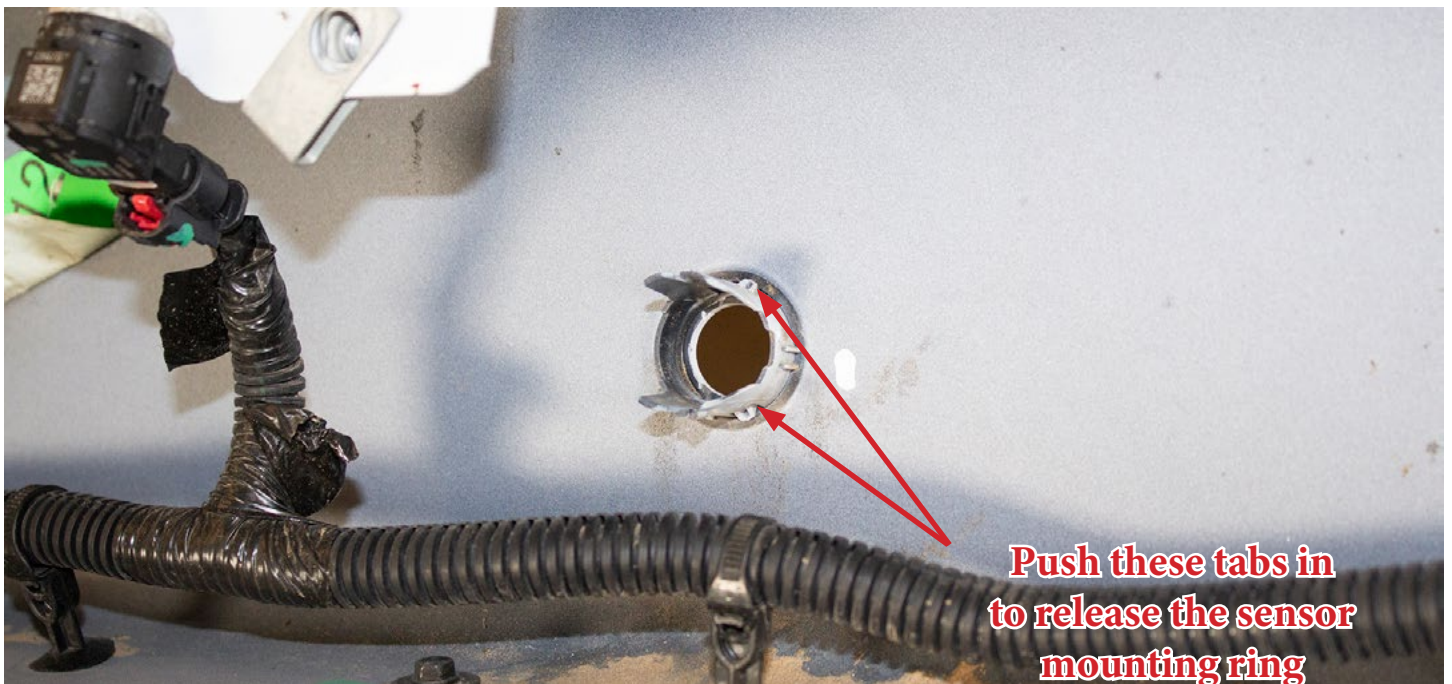
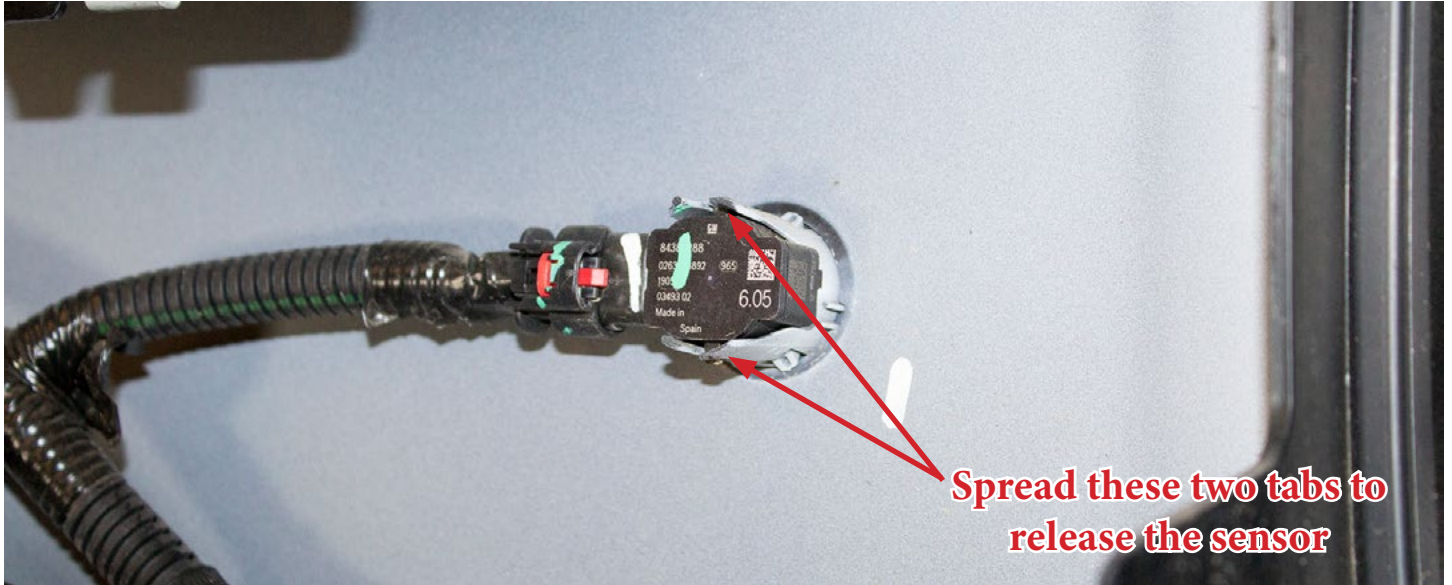
## PHANTOM WINCH FRONT BUMPER 2024-UP/GMC SIERRA 2500 & 3500

## REMOVAL

### □ STEP 17

Remove the parking sensors and the bezels. **\*\*Remember the orientation for later on in the install\*\***

**CAUTION! Bezels are brittle, pry gently to prevent breakage**





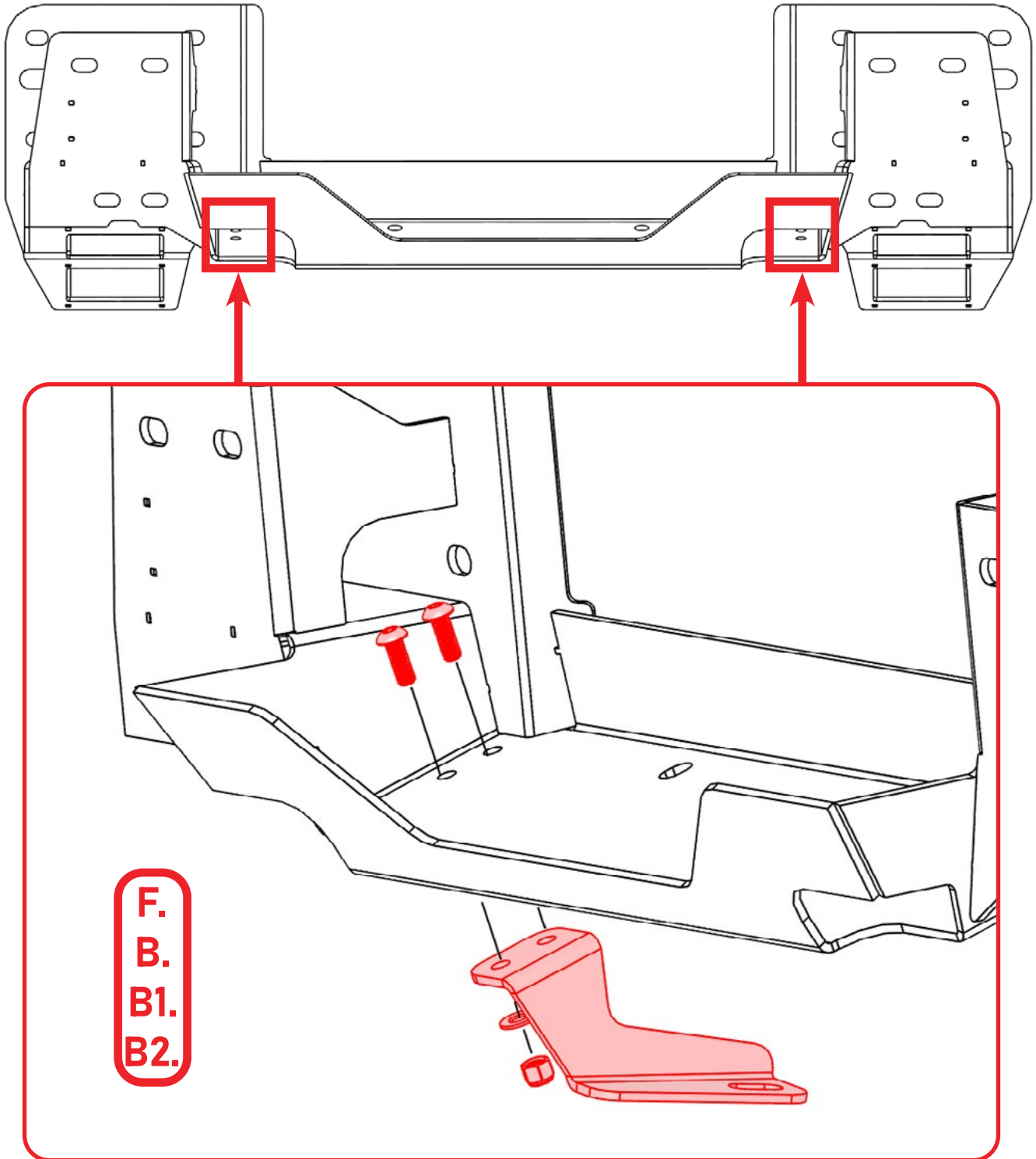
# INSTALLATION GUIDE

## PHANTOM WINCH FRONT BUMPER 2024-UP/GMC SIERRA 2500 & 3500

## INSTALL

### □ STEP 18

Install the provided (F) support brackets to the bottom of the winch mount with the provided (B, B1, B2) 3/8 hardware using a (7/32 allen) and a (9/16 wrench).







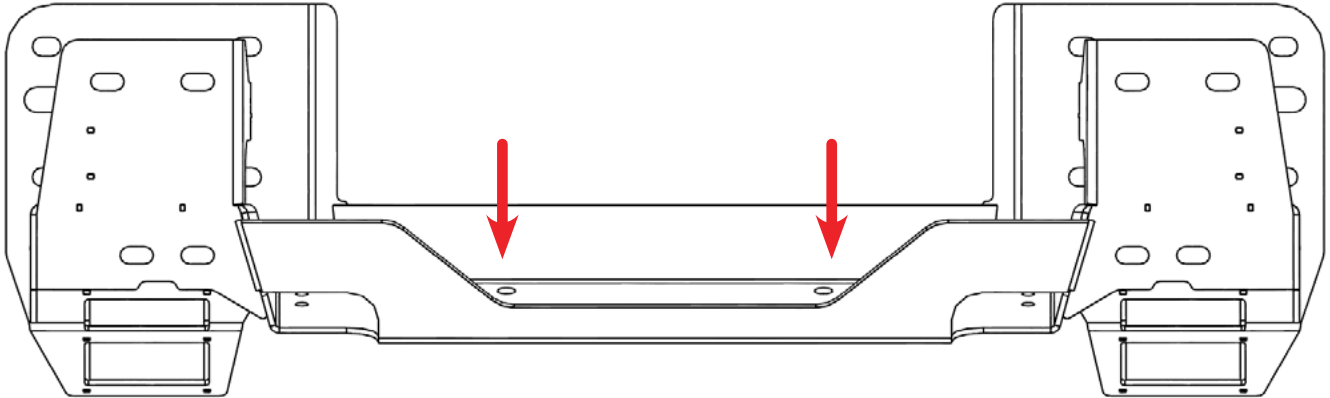
# INSTALLATION GUIDE

## PHANTOM WINCH FRONT BUMPER 2024-UP/GMC SIERRA 2500 & 3500

## INSTALL

### □ STEP 19

Now would be a good time to install the winch to the winch plate.





# INSTALLATION GUIDE

## PHANTOM WINCH FRONT BUMPER 2024-UP/GMC SIERRA 2500 & 3500

## INSTALL

### □ STEP 20

Install the winch mount with the hardware removed from **step 13** using a (15mm socket).







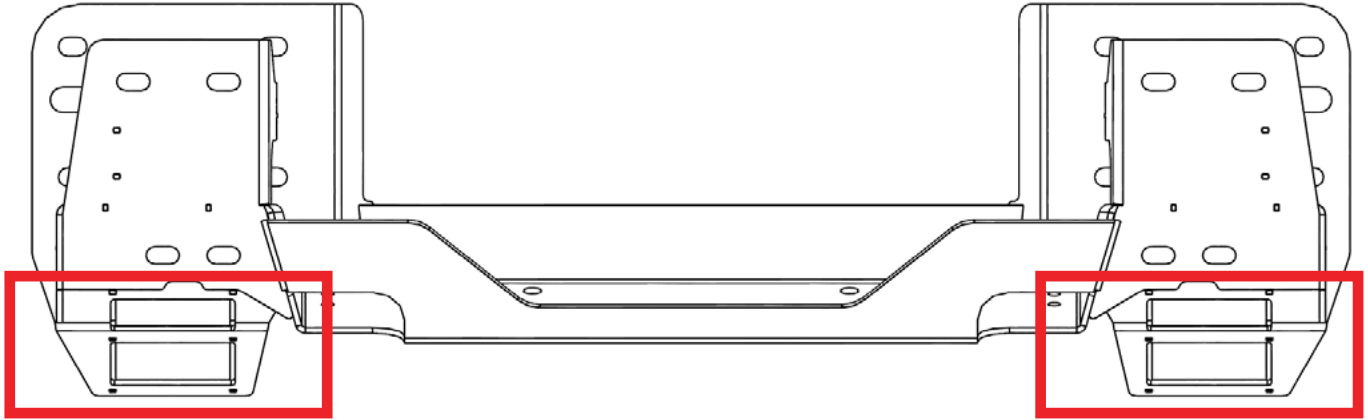
# INSTALLATION GUIDE

## PHANTOM WINCH FRONT BUMPER 2024-UP/GMC SIERRA 2500 & 3500

## INSTALL

### □ STEP 21

Install the provided (C, C1, C2) 1/2" hardware on the bottom of the winch mount through the holes for the tow hooks removed from step 12 using a (3/4 wrench) and a (3/4 socket).





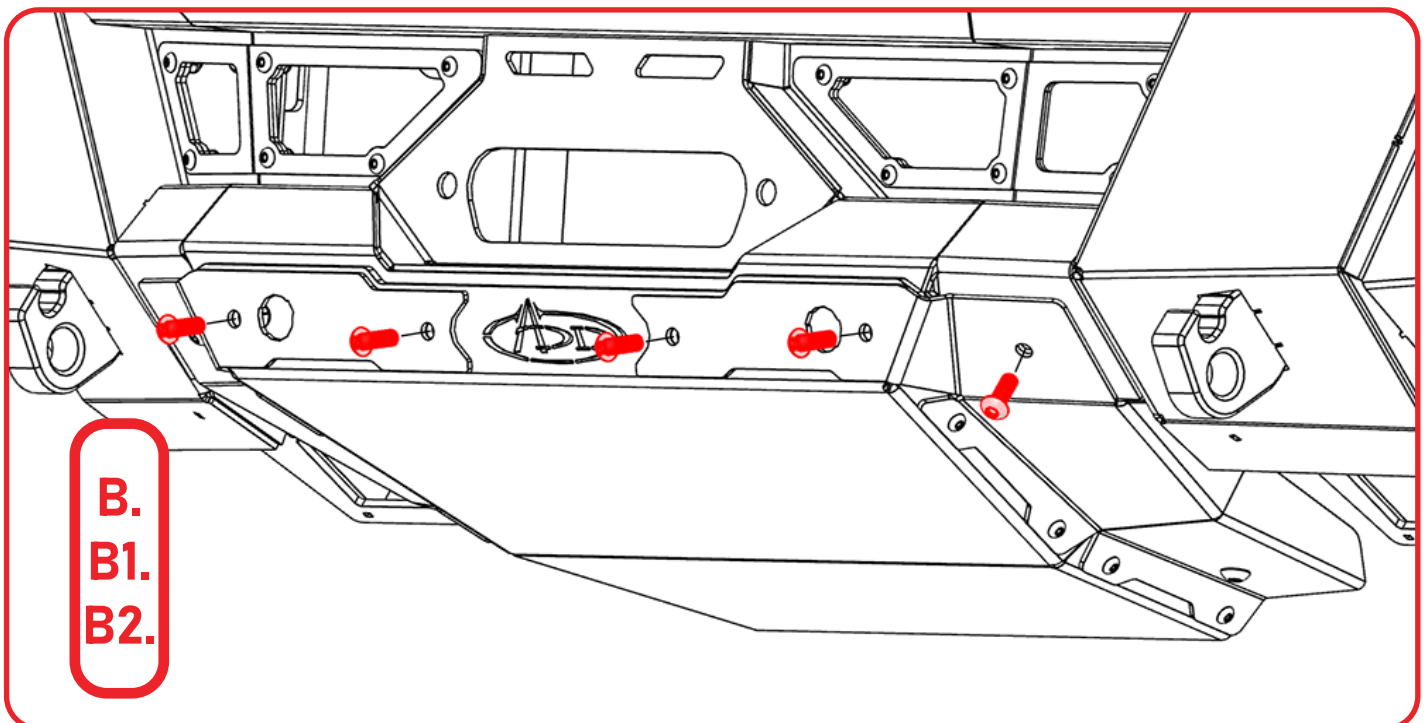
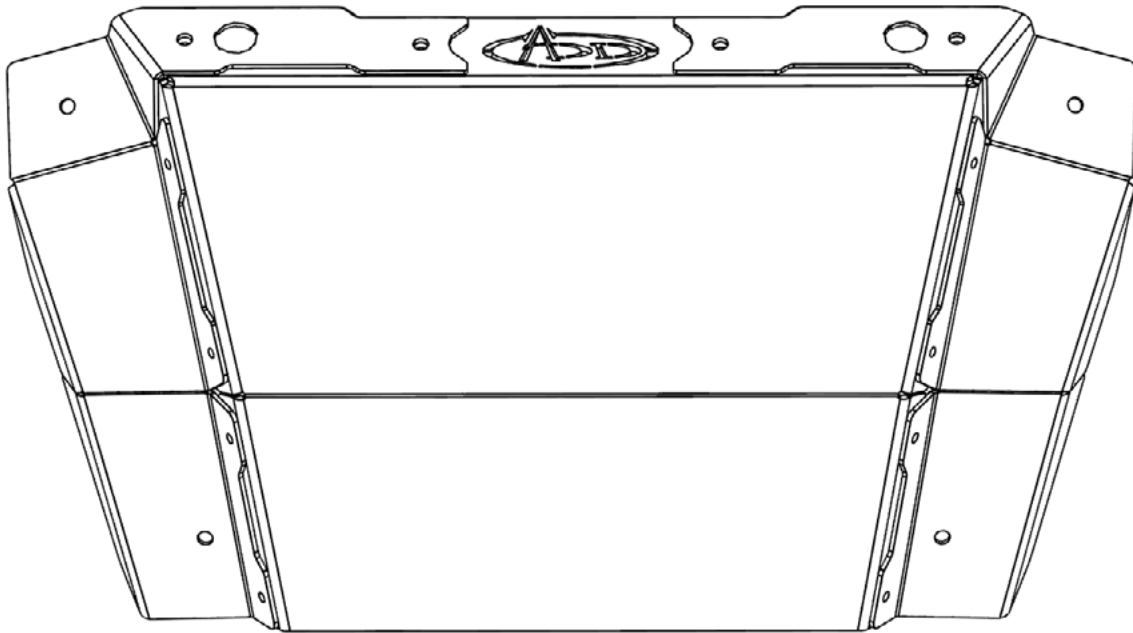
# INSTALLATION GUIDE

## PHANTOM WINCH FRONT BUMPER 2024-UP/GMC SIERRA 2500 & 3500

## INSTALL

### □ STEP 22

Install the skid plate with the provided **(B, B1, B2)** 3/8" hardware using a (7/32 allen) and a (9/16 wrench).



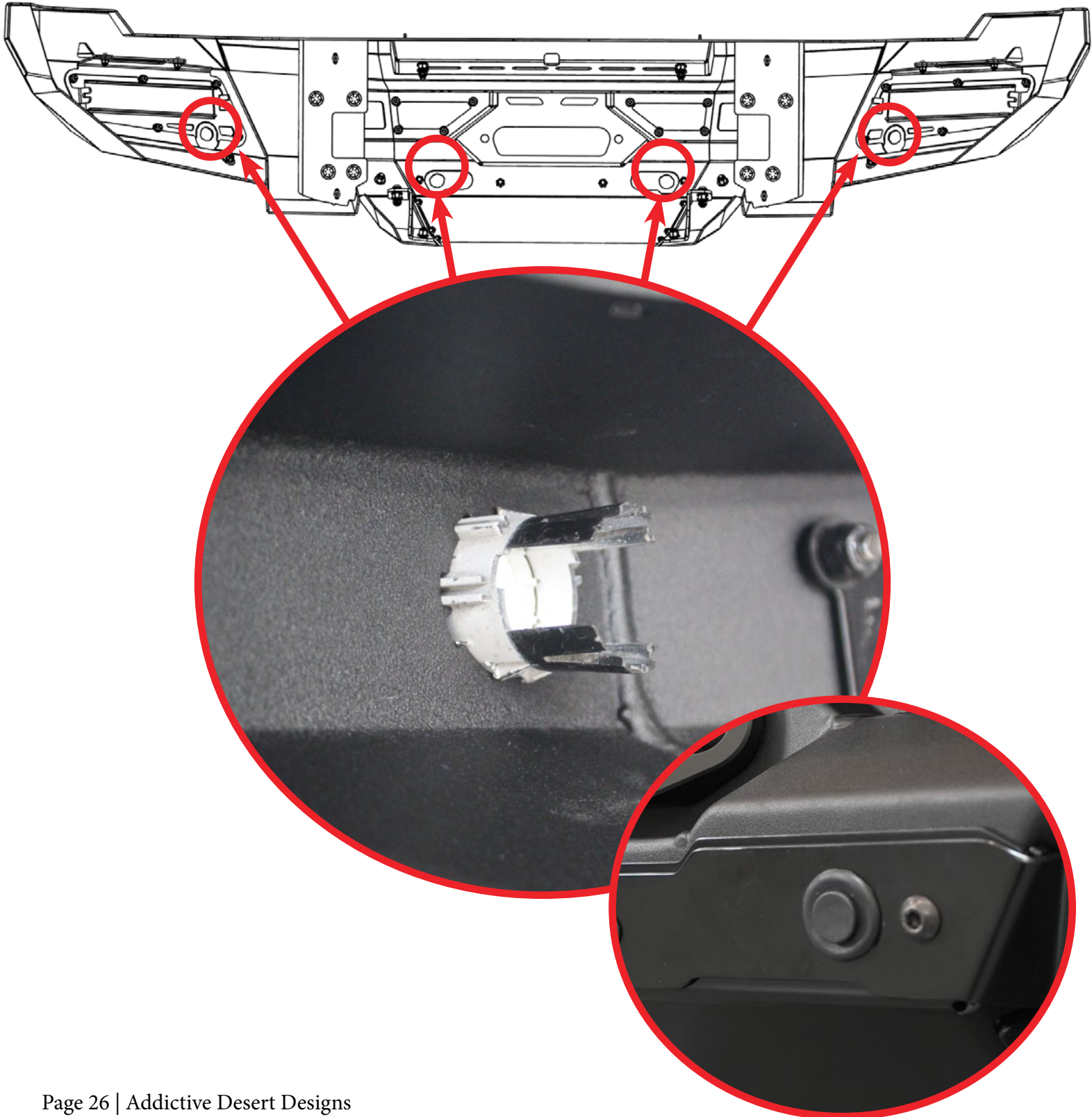


## PHANTOM WINCH FRONT BUMPER 2024-UP/GMC SIERRA 2500 & 3500

## INSTALL

### □ STEP 23

Install the wire harness with the sensor bezels. If you do not have parking sensors install the provided rubber grommets.





## PHANTOM WINCH FRONT BUMPER 2024-UP/GMC SIERRA 2500 & 3500

## INSTALL

### □ STEP 24

Before moving on with the install, ensure to inspect the parking sensors to see if they are properly seated inside the bezel as shown below.



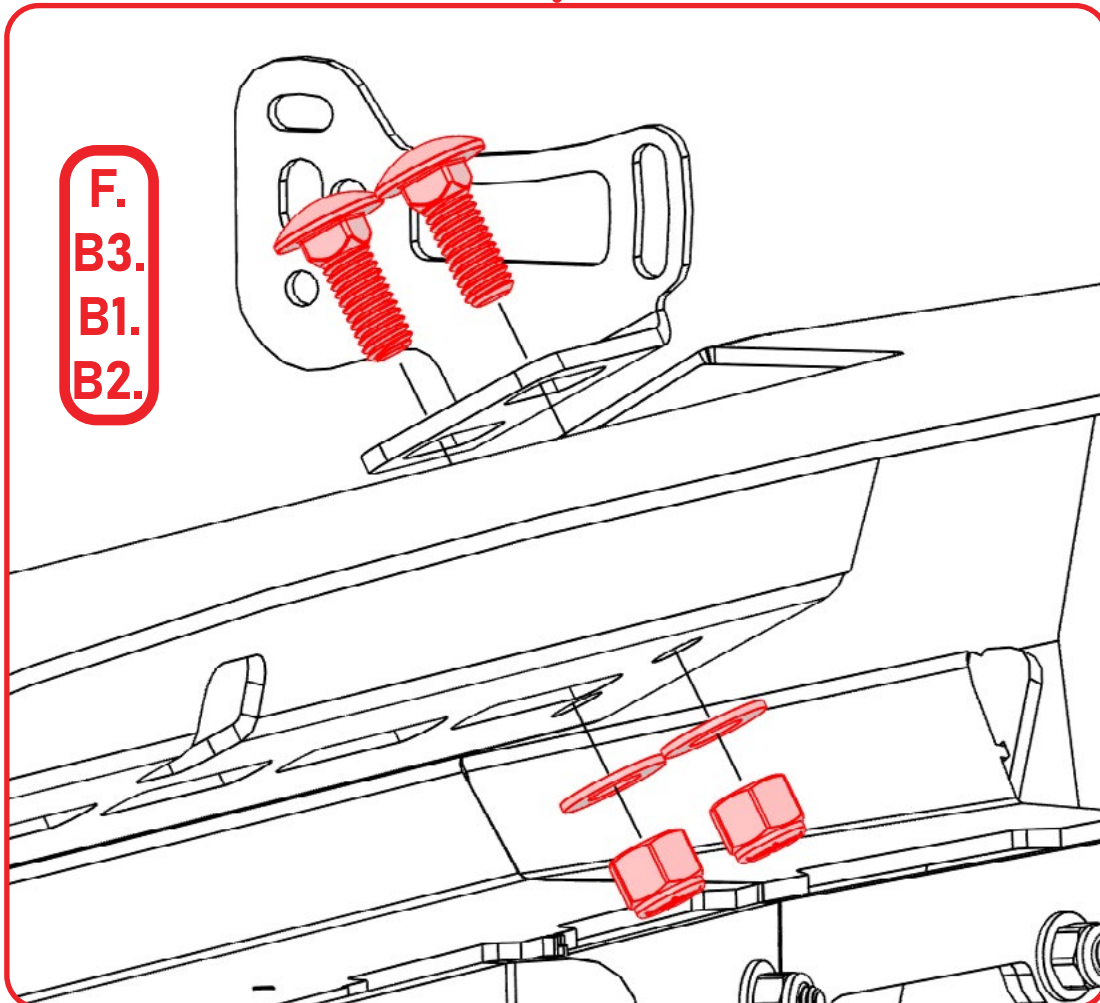
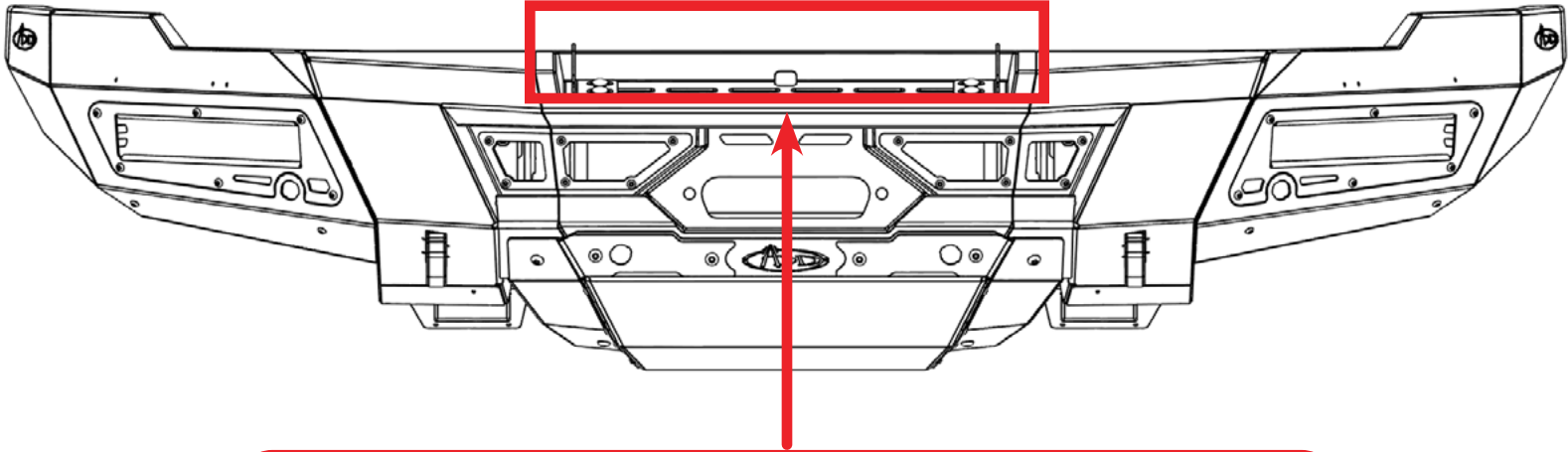


## PHANTOM WINCH FRONT BUMPER 2024-UP/GMC SIERRA 2500 & 3500

## INSTALL

### □ STEP 25

Now would be a good time to install the light options with the provided **(F)** light brackets with the provided **(B3, B1, B2)** 3/8" hardware using a (9/16 wrench).





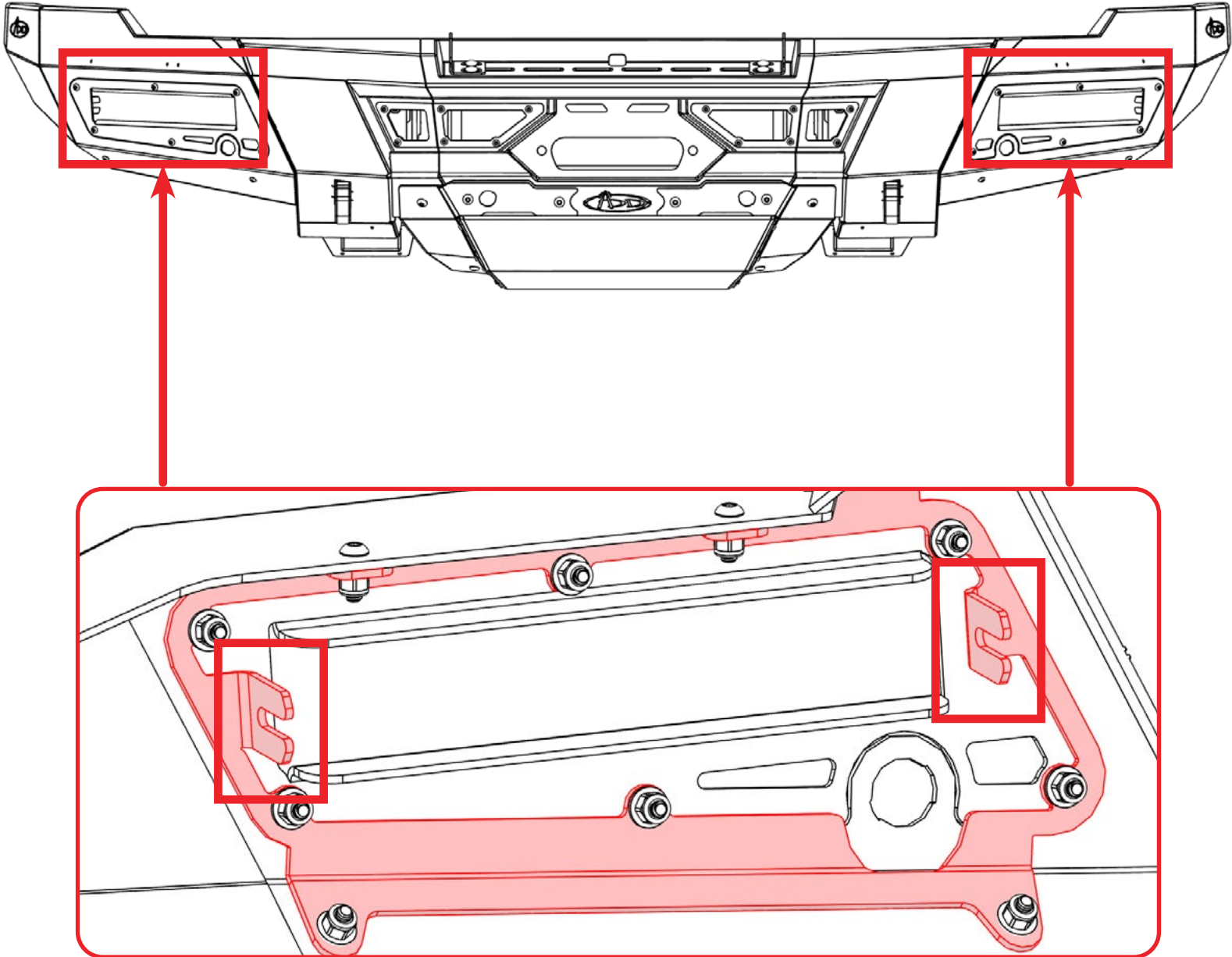
# INSTALLATION GUIDE

## PHANTOM WINCH FRONT BUMPER 2024-UP/GMC SIERRA 2500 & 3500

## INSTALL

### STEP 26

Install a 10" light into the provided brackets located below.



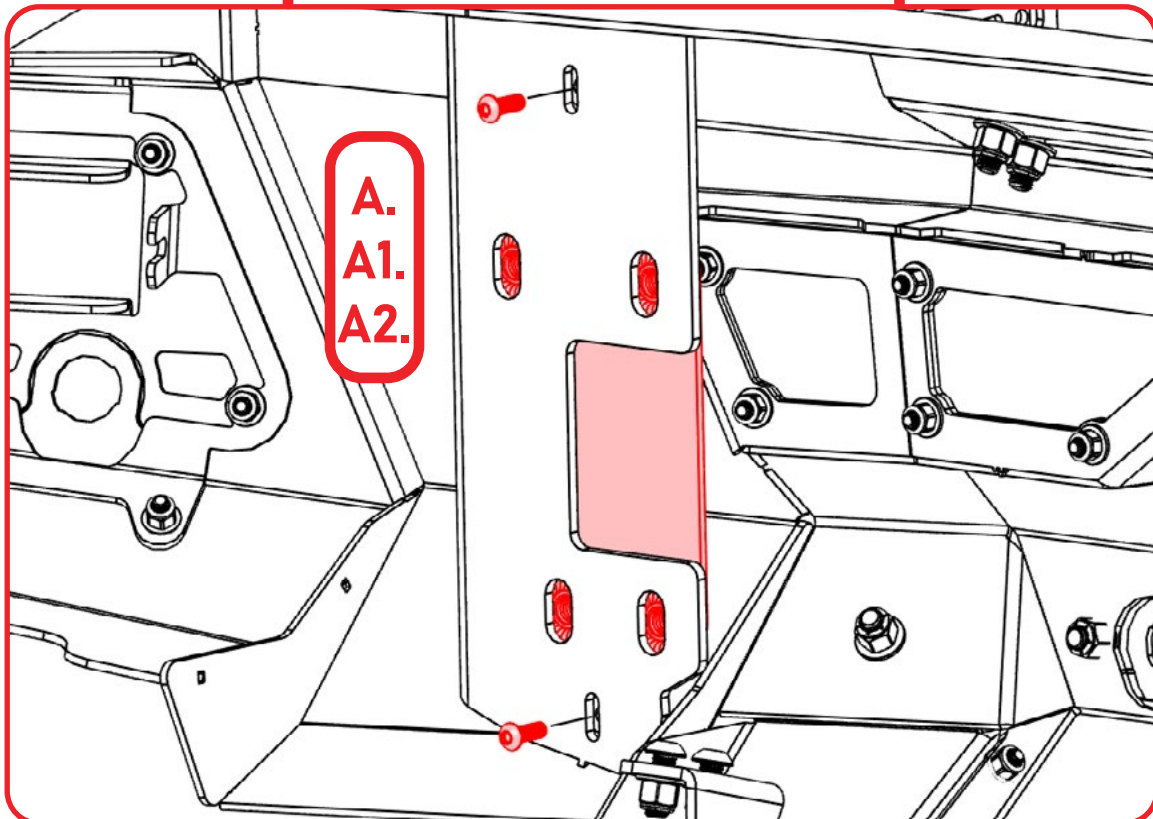
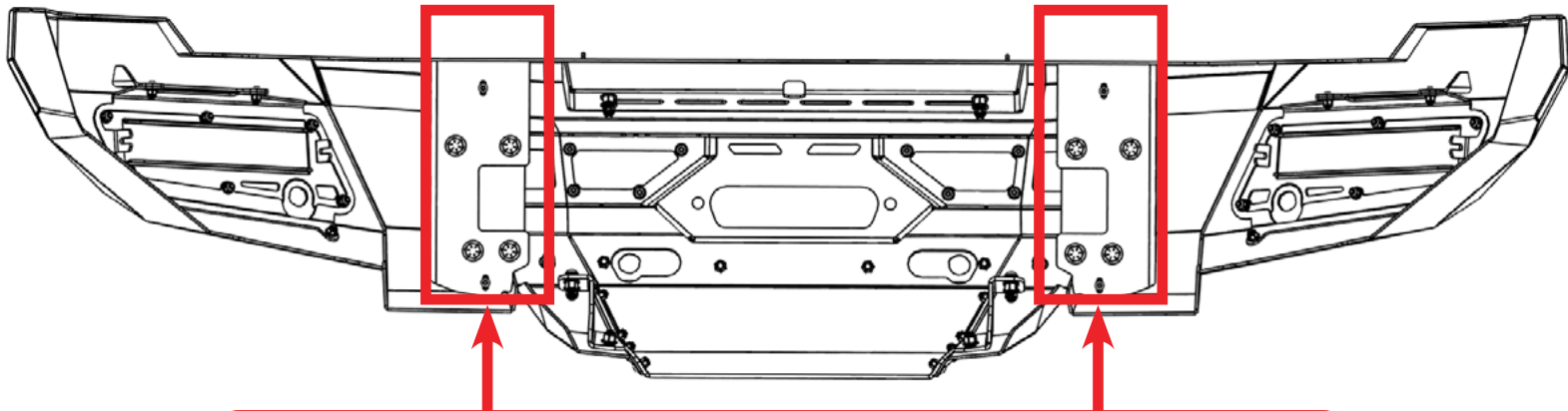


## PHANTOM WINCH FRONT BUMPER 2024-UP/GMC SIERRA 2500 & 3500

## INSTALL

### STEP 27

Install the provided **(D)** mounting plate as shown below with the provided **(A, A1, A2)** 1/4" hardware using a (5/32 allen) and a (7/16 wrench). **\*\*Leave loose enough for adjustments later in the install\*\***





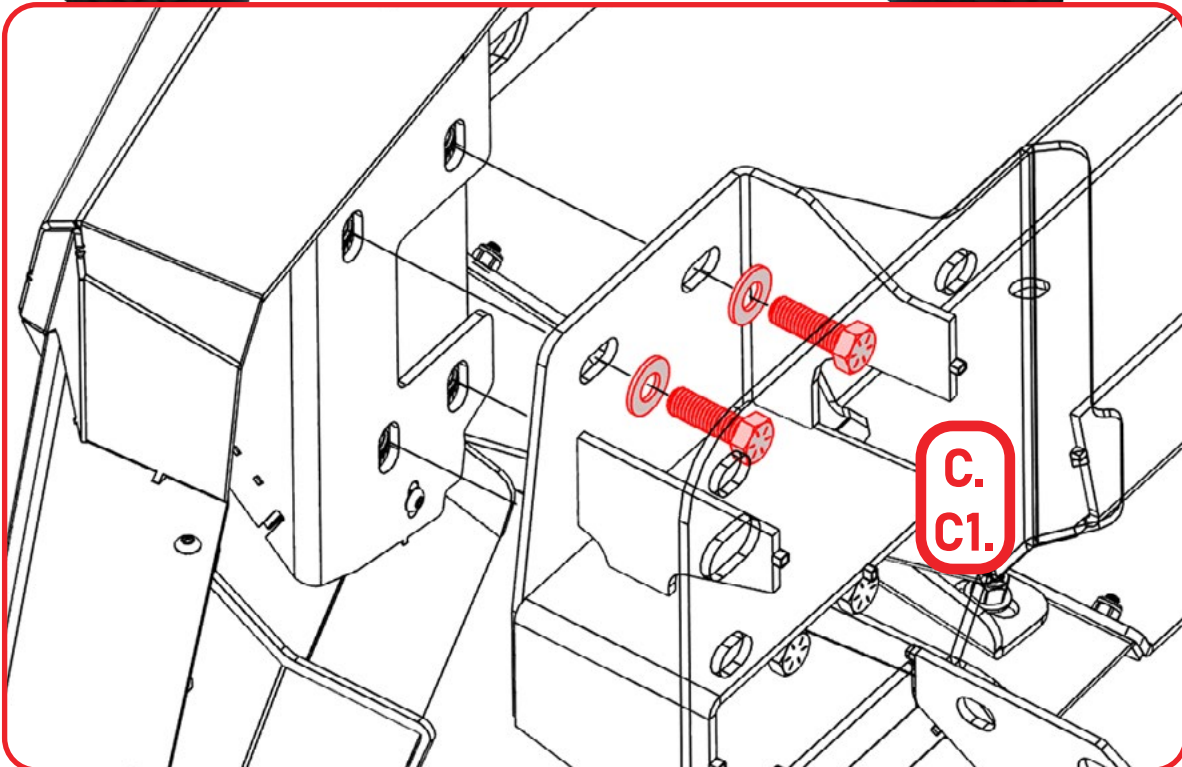
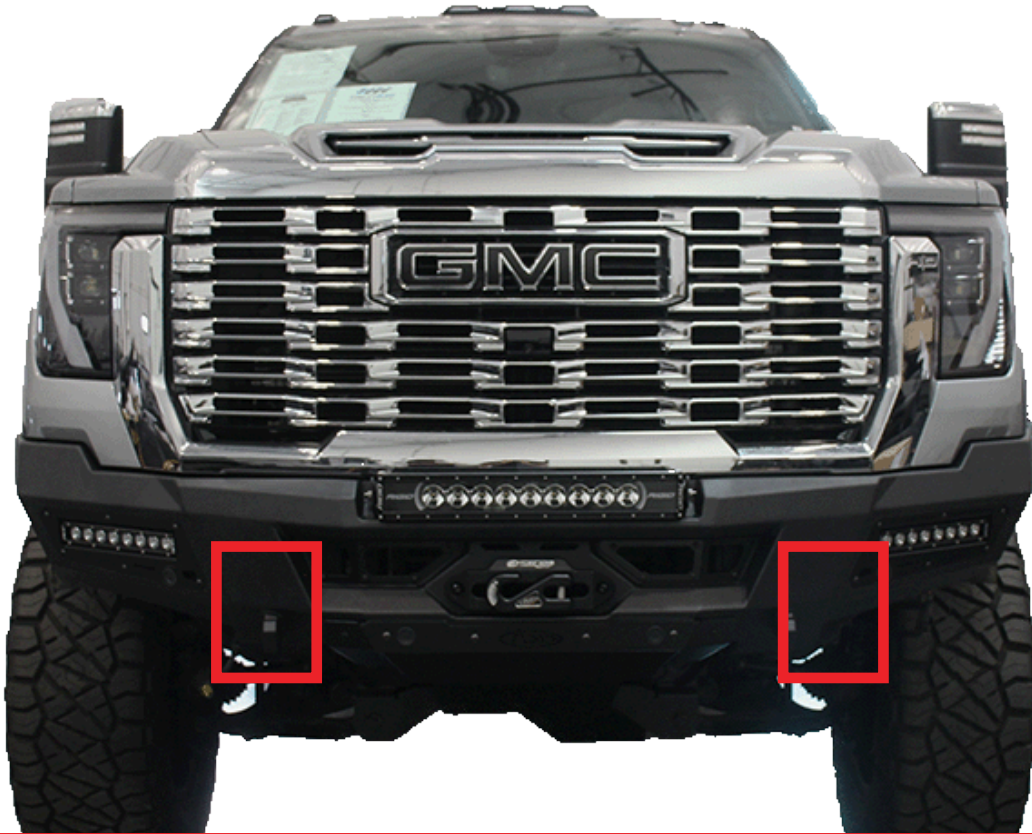
# INSTALLATION GUIDE

## PHANTOM WINCH FRONT BUMPER 2024-UP/GMC SIERRA 2500 & 3500

## INSTALL

### □ STEP 28

With a helping hand, install the bumper with the provided **(C, C1)** 1/2" hardware using a (3/4 socket).







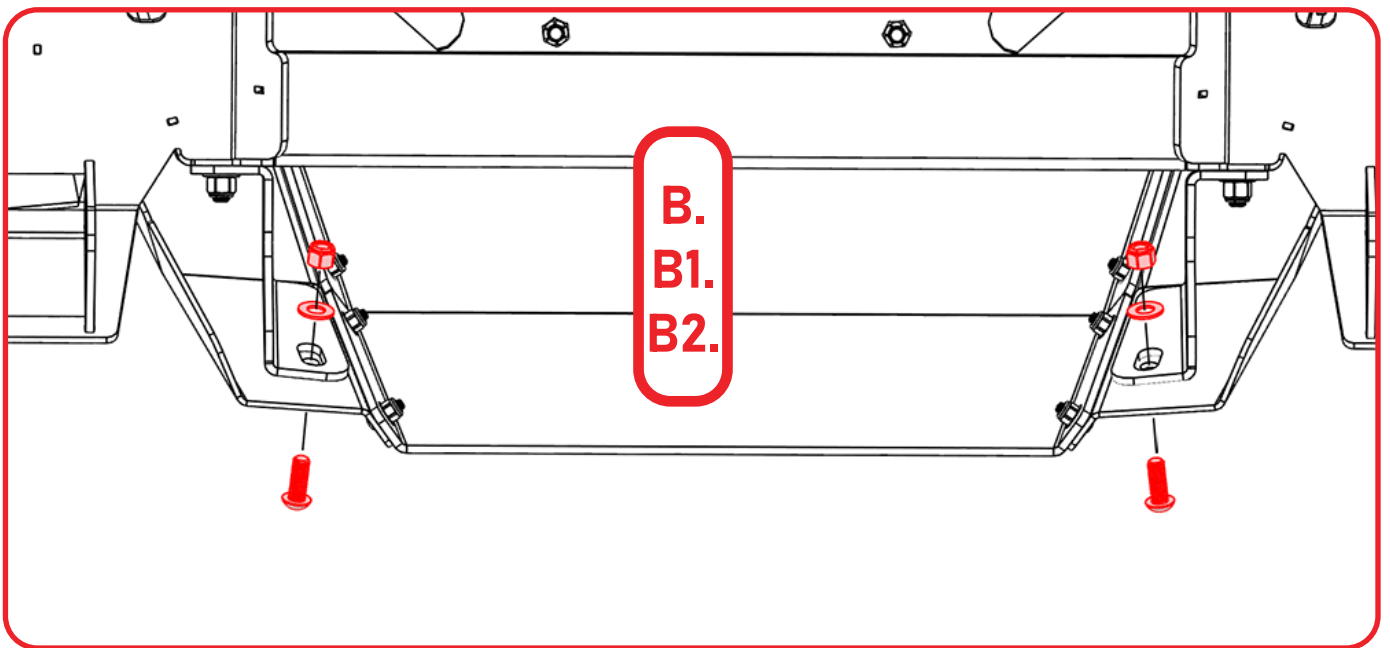
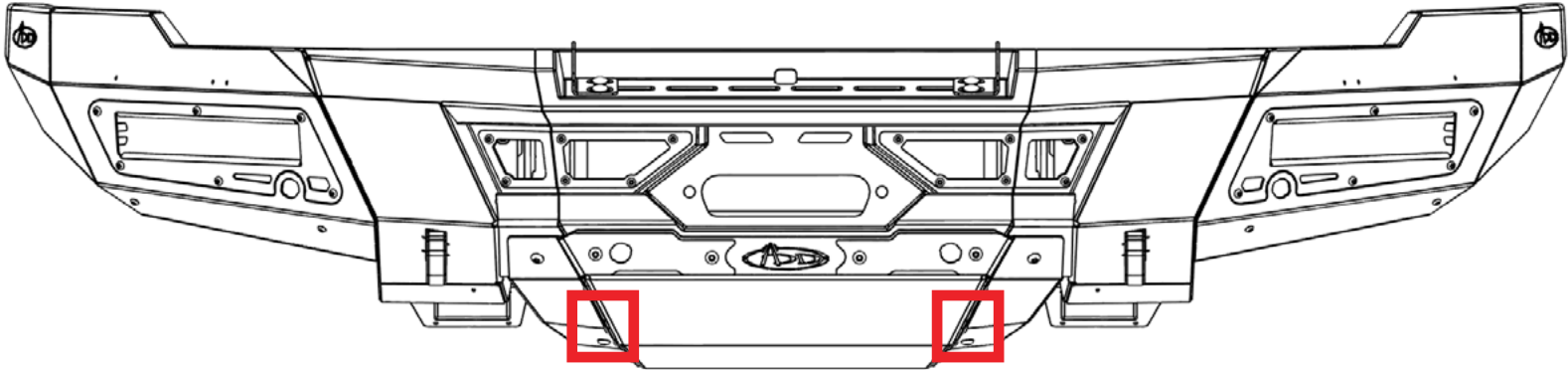
# INSTALLATION GUIDE

## PHANTOM WINCH FRONT BUMPER 2024-UP/GMC SIERRA 2500 & 3500

## INSTALL

### □ STEP 29

Install the bottom support hardware located on the bottom of the skid plate with the provided **(B, B1, B2)** 3/8" hardware using a (7/32 allen) and a (9/16 wrench).



## PHANTOM WINCH FRONT BUMPER 2024-UP/GMC SIERRA 2500 & 3500

## INSTALL

### □ STEP 30

Using a (T15) and a (10mm socket) remove the metal bracket holding the inner liner to the frame. Next trim the inner wheel well using a (razor blade/scissors) as shown below.







# INSTALLATION GUIDE

## PHANTOM WINCH FRONT BUMPER 2024-UP/GMC SIERRA 2500 & 3500

## FINAL

### □ STEP 31

Stand back and enjoy your new ADD Phantom Winch Front Bumper.

Check and re-tighten all mounting bolts after 100 miles and periodically thereafter.



THIS PRODUCT IS PROTECTED BY ONE OR MORE U.S. PATENTS  
[WWW.ADDICTIVEDESERTDESIGNS.COM/PATENTS](http://WWW.ADDICTIVEDESERTDESIGNS.COM/PATENTS)

FOR ADDITIONAL SUPPORT OR TECHNICAL QUESTIONS,  
PLEASE CALL 480-671-0820 OR  
EMAIL [INFO@ADDICTIVEDESERTDESIGNS.COM](mailto:INFO@ADDICTIVEDESERTDESIGNS.COM)