



# INSTALLATION GUIDE

## STEALTH FIGHTER FRONT BUMPER 22+/TOYOTA TUNDRA



### PREPARATION

**We recommend reading through the installation instructions in whole before performing the work.**

- Disconnect the negative battery terminal. Park the vehicle on level ground and set the emergency brake.
- When button head bolts are being used, install the supplied washer on the nut side. Then, hold the bolt stationary and only turn the nut to tighten. Do not turn the bolt to tighten hardware assembly, unless otherwise noted.
- Anti-seize is recommended for all fasteners.



#### SKILL LEVEL

-Hard/Skilled

**\*\*This installation requires 2 people for best results\*\***



#### TIME REQUIRED

- 4 hours for OEM Removal/Cutting/Bumper Install
- 1 Additional Hour to Wire Cube Lights

**\*\*Labor Rates are based on a vehicle with no pre-existing damage. Wiring labor is based on a standard wiring procedure with light switches installed in an easily accessible location. Custom light triggering or switch mounting location will result in a greater labor charge.\*\***



#### INCLUDED IN KIT

- 6- Nylon Lock Nuts (1/2-13")
- 6- Hex Head Bolts (1/2-13 X 1 1/4")
- 12- Flat Washer (1/2")
- 12- Hex Head Bolt (3/8-16 x 1 1/4")
- 4- Nylon Lock Nuts (3/8-16")
- 16- Flat Washers (3/8")
- 8- 3m Double Sided Tape (1"x1")



#### TOOLS REQUIRED

- (Box end wrenches) 10mm, 17mm, 7/16, 9/16, 3/4
- (Sockets) 10mm, 17mm, 9/16, 3/4
- (Allen Wrenches) 5/32, 7/32
- Fastener remover or flathead screwdriver
- Jigsaw/Grinder
- Palm sander/sandpaper
- Razor blade/scissors
- Masking tape
- Sharpie
- Tape measure
- Zip ties



# INSTALLATION GUIDE

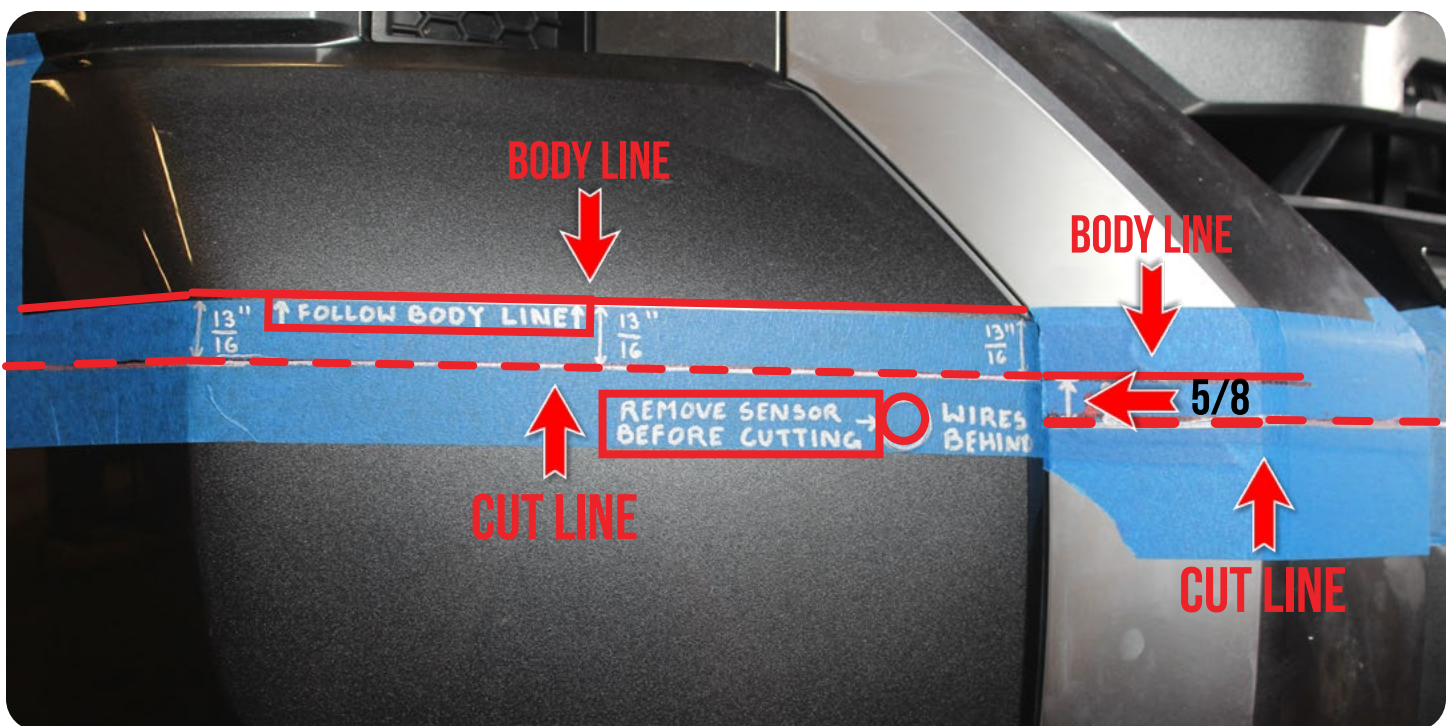
## STEALTH FIGHTER FRONT BUMPER

22+/TOYOTA TUNDRA

### STEP 1

Using (masking tape and a tape measure) mark your cut before removing the bumper. See pictures below for layout. (Repeat on other side)

## PREPARATION

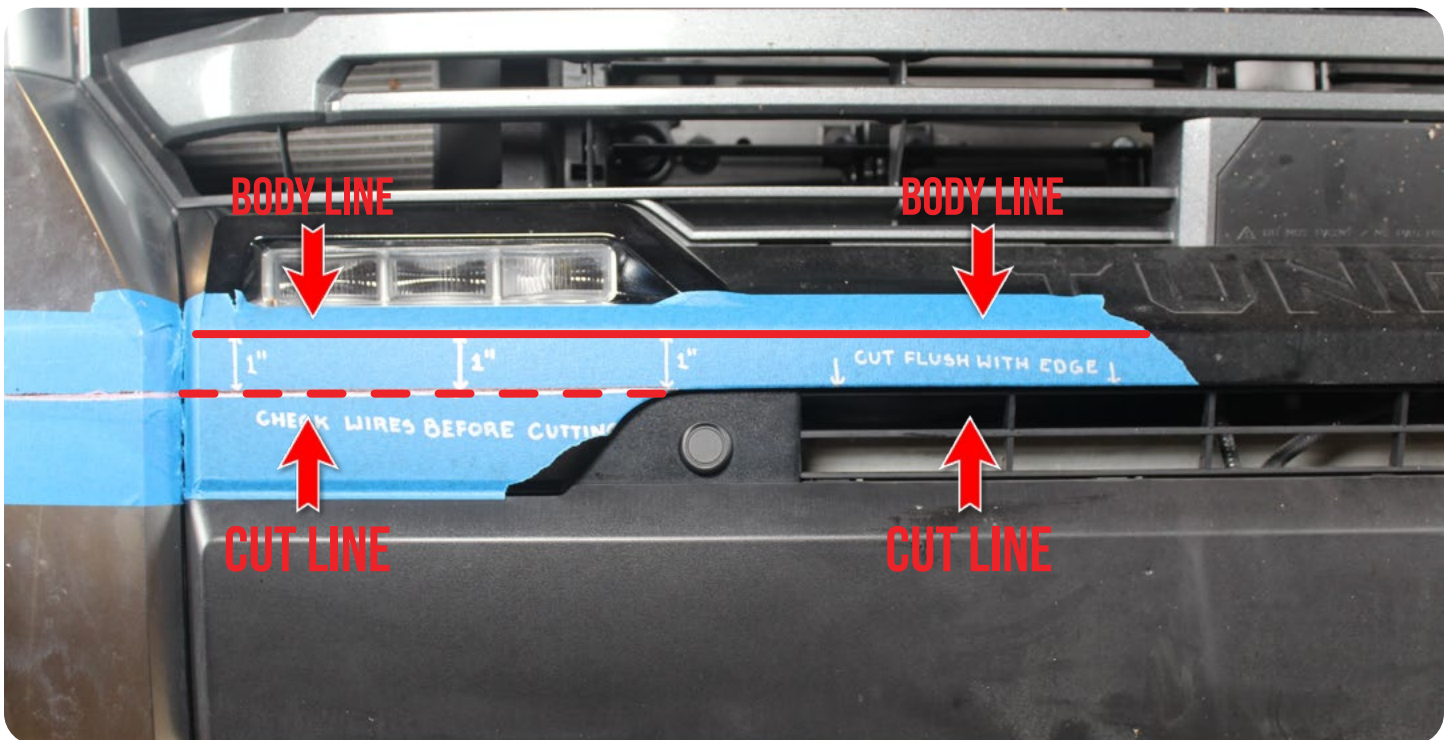
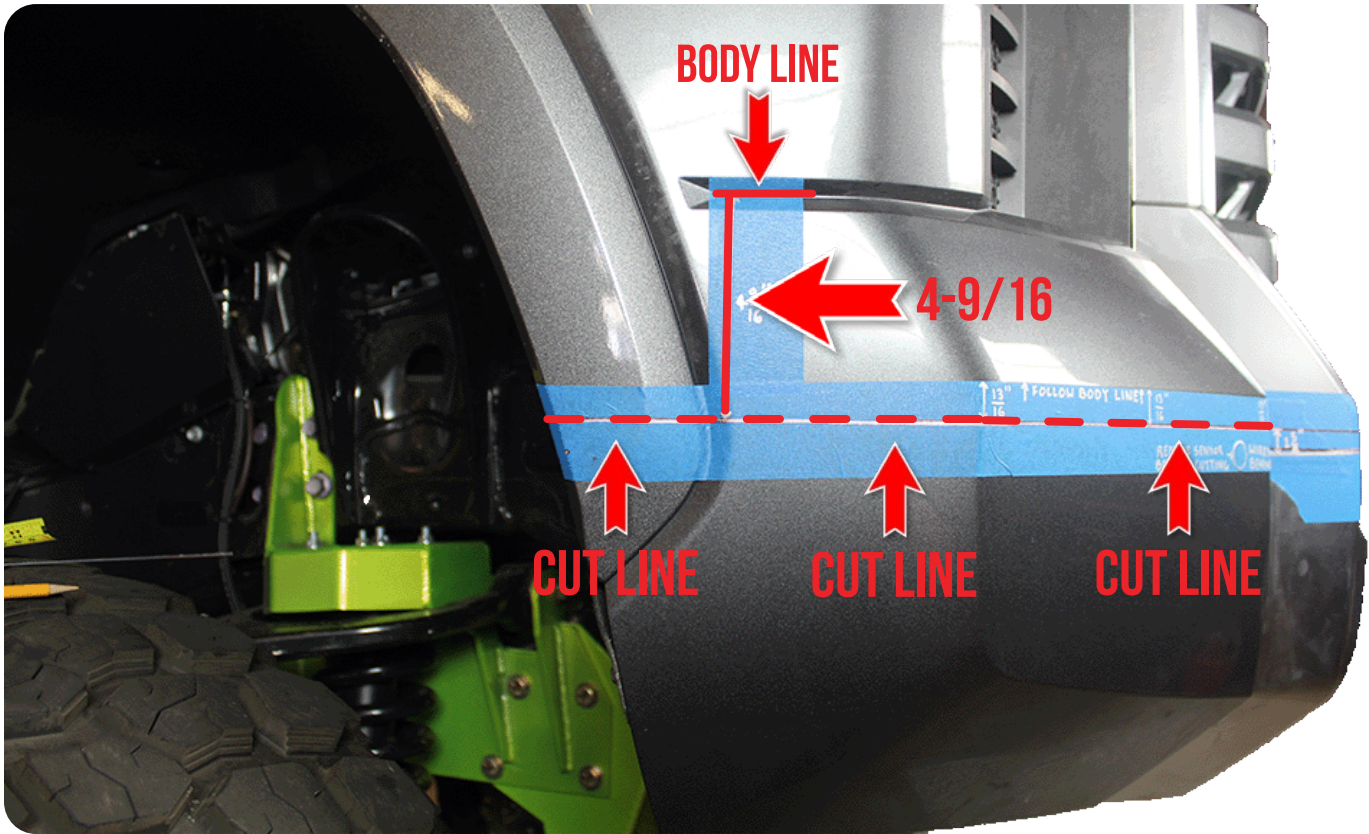




# INSTALLATION GUIDE

STEALTH FIGHTER FRONT BUMPER  
22+/TOYOTA TUNDRA

## PREPARATION



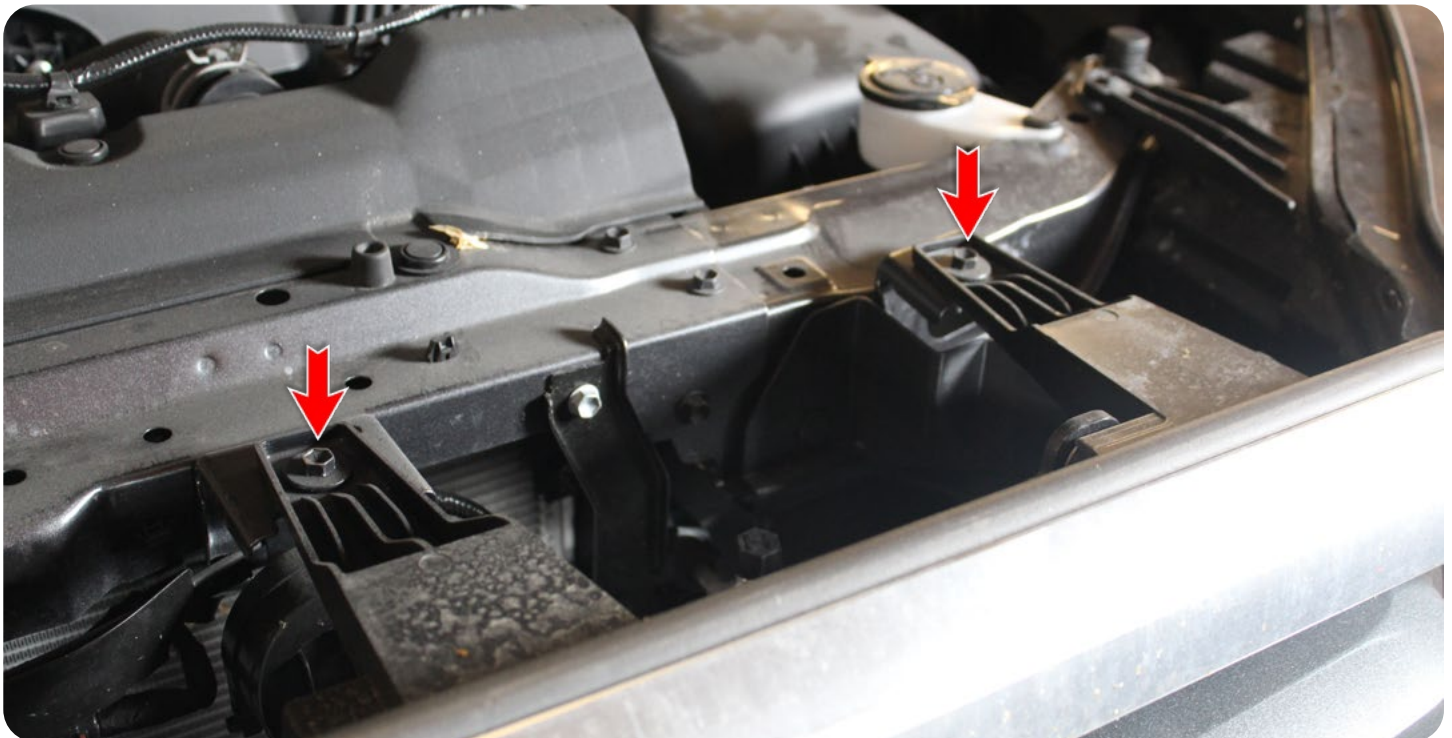
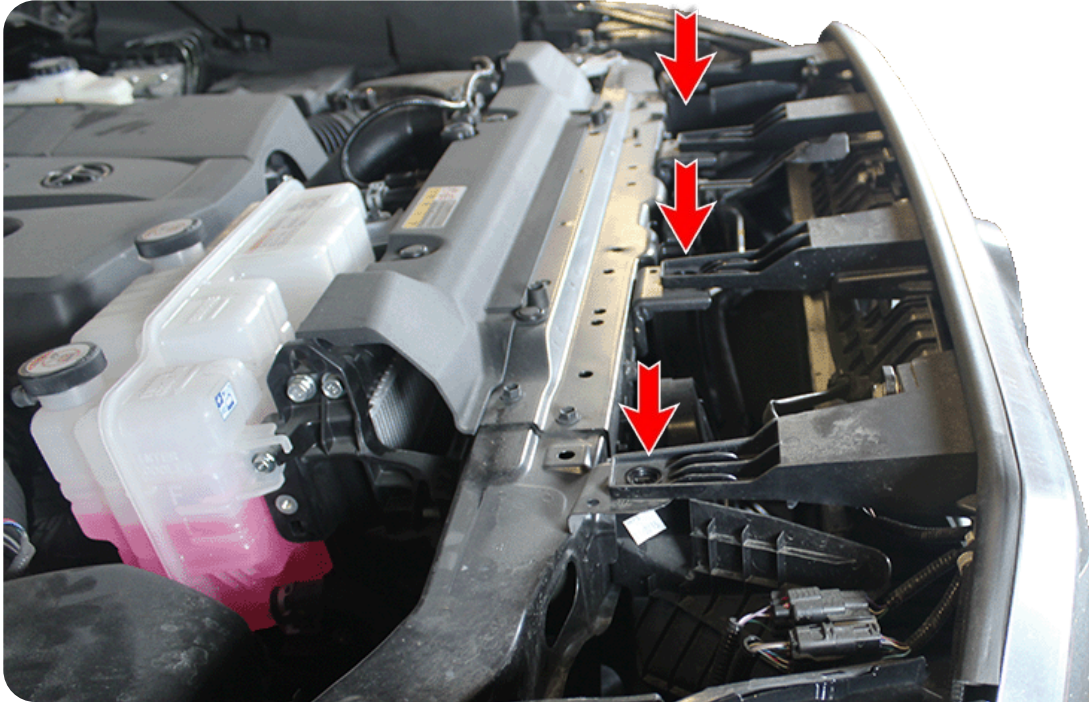
## STEALTH FIGHTER FRONT BUMPER

22+/TOYOTA TUNDRA

### □ STEP 2

Remove the 4x bolts on top of the grill using a (10mm socket).

## REMOVAL



## STEALTH FIGHTER FRONT BUMPER

22+/**TOYOTA TUNDRA**

### **STEP 3**

Unplug the 3x wiring harness plugs by depressing and pulling.

## REMOVAL





# INSTALLATION GUIDE

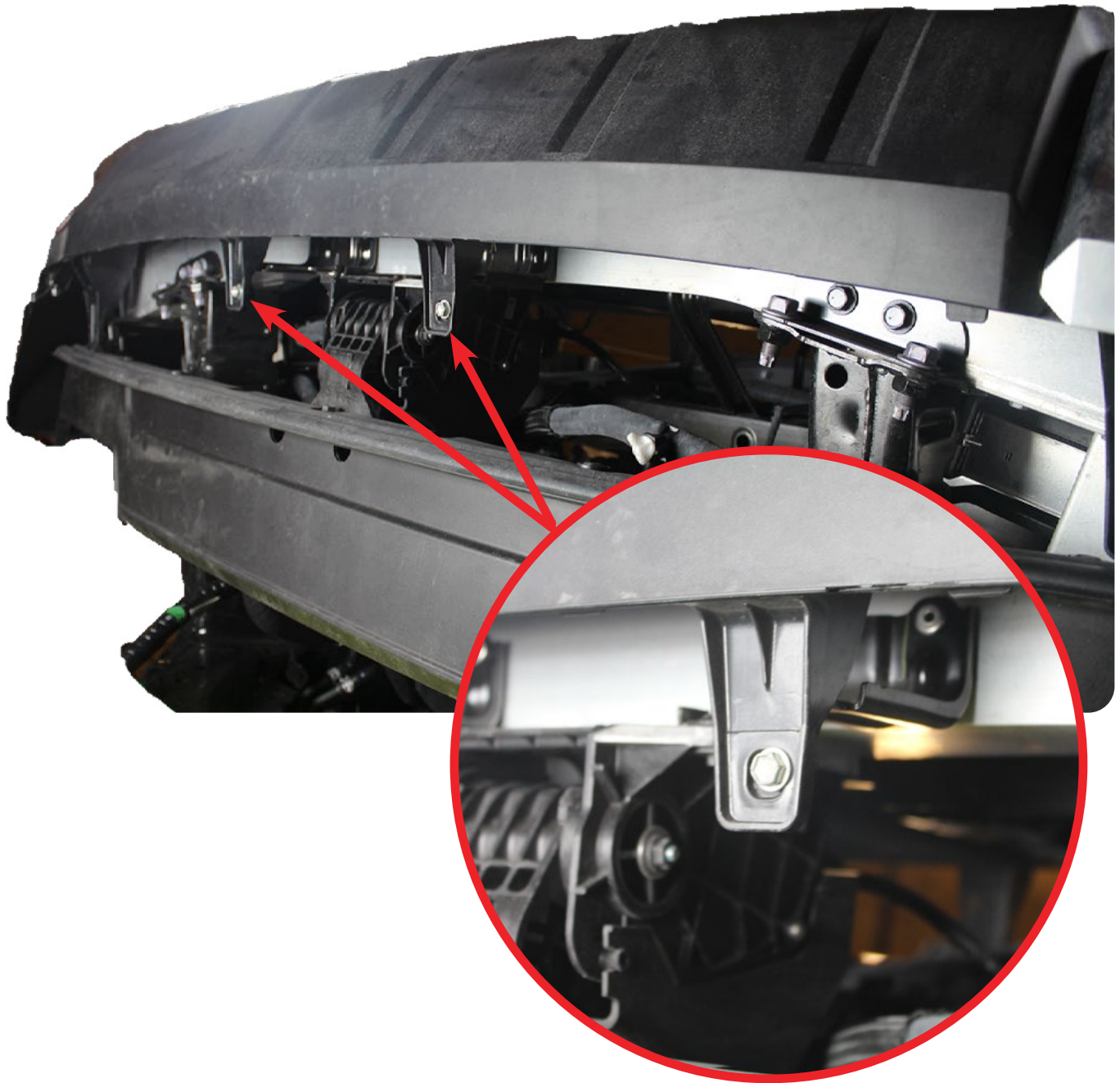
## STEALTH FIGHTER FRONT BUMPER

22+/TOYOTA TUNDRA

### STEP 4

Remove the 2x support mount bolts from underneath the bumper using a (10mm socket).

## REMOVAL



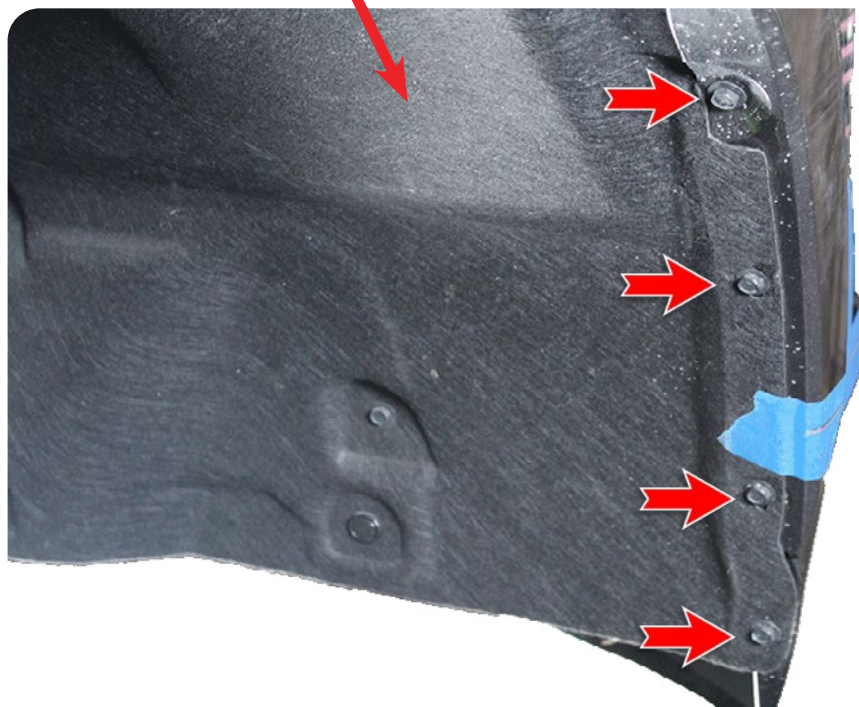
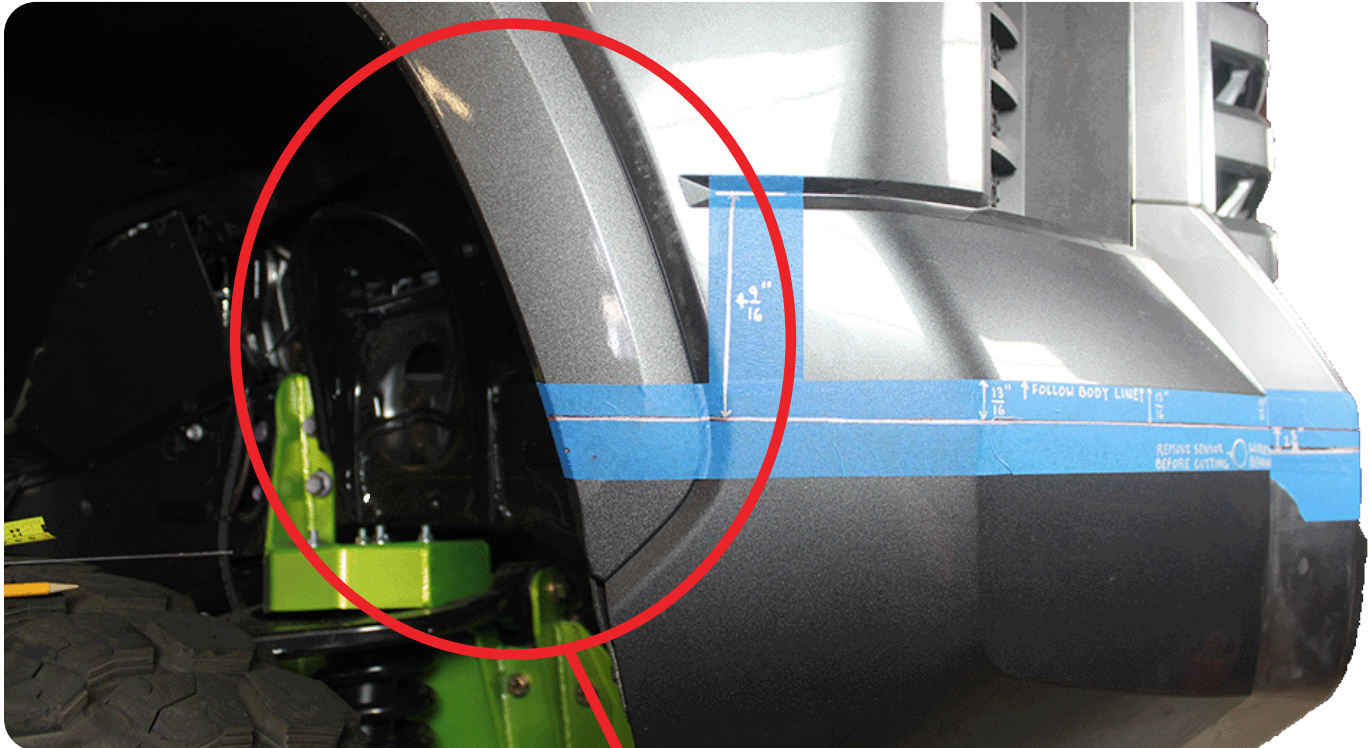
## STEALTH FIGHTER FRONT BUMPER

22+/TOYOTA TUNDRA

### □ STEP 5

Inside the wheel well, remove the 4x bolts holding the trim by using a (10mm socket). After, pop both trim and grill off by pulling towards you. You can now remove the grill.

## REMOVAL



STEALTH FIGHTER FRONT BUMPER  
22+/**TOYOTA TUNDRA**

## REMOVAL





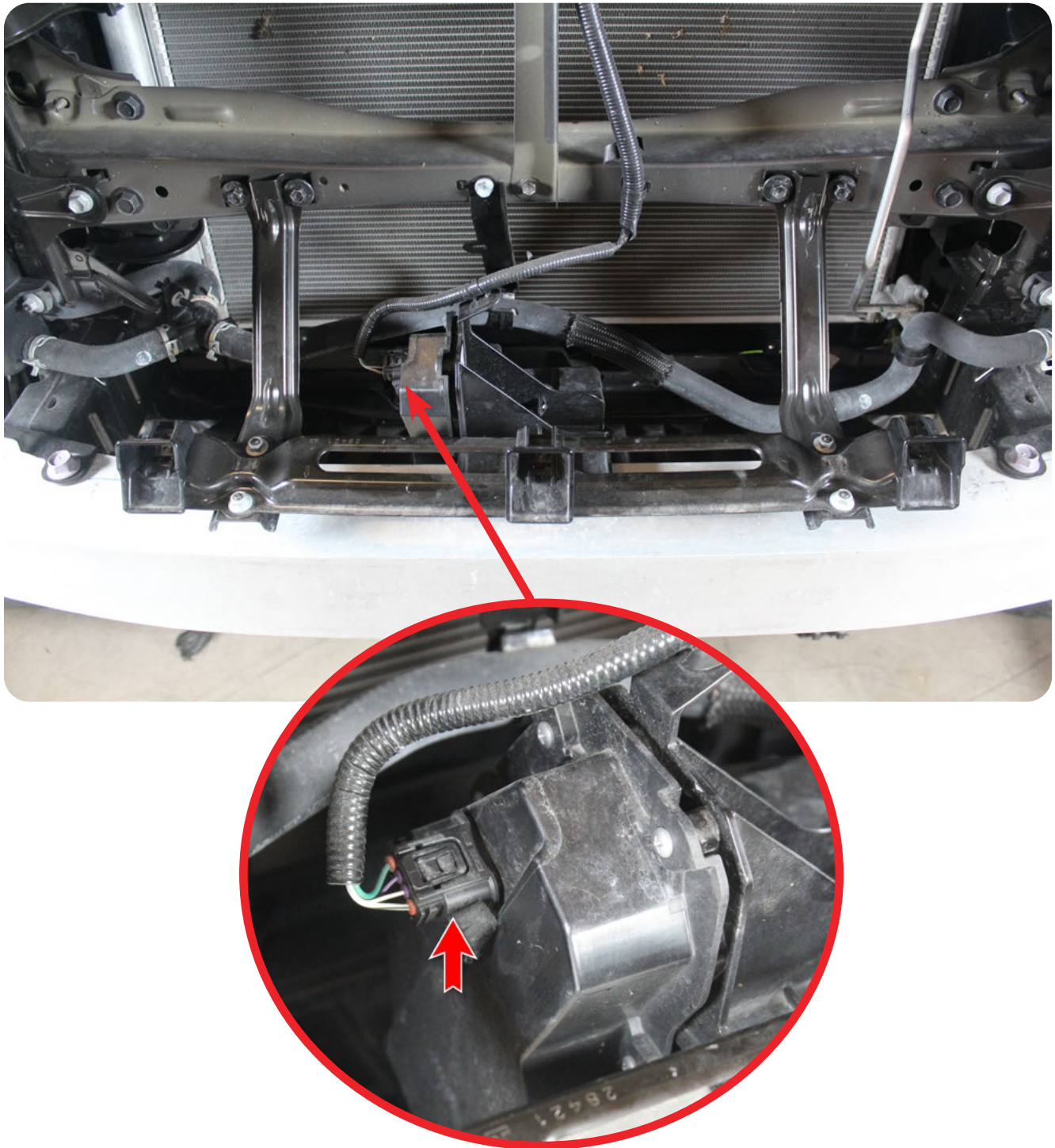
## STEALTH FIGHTER FRONT BUMPER

22+/TOYOTA TUNDRA

### ❑ STEP 6

Unplug the air dam motor by depressing and pulling.

## REMOVAL



## STEALTH FIGHTER FRONT BUMPER

22+/TOYOTA TUNDRA

### ☐ STEP 7

Remove the 4x aluminum crash bar bolts on top and bottom by using a (17mm socket).

## REMOVAL



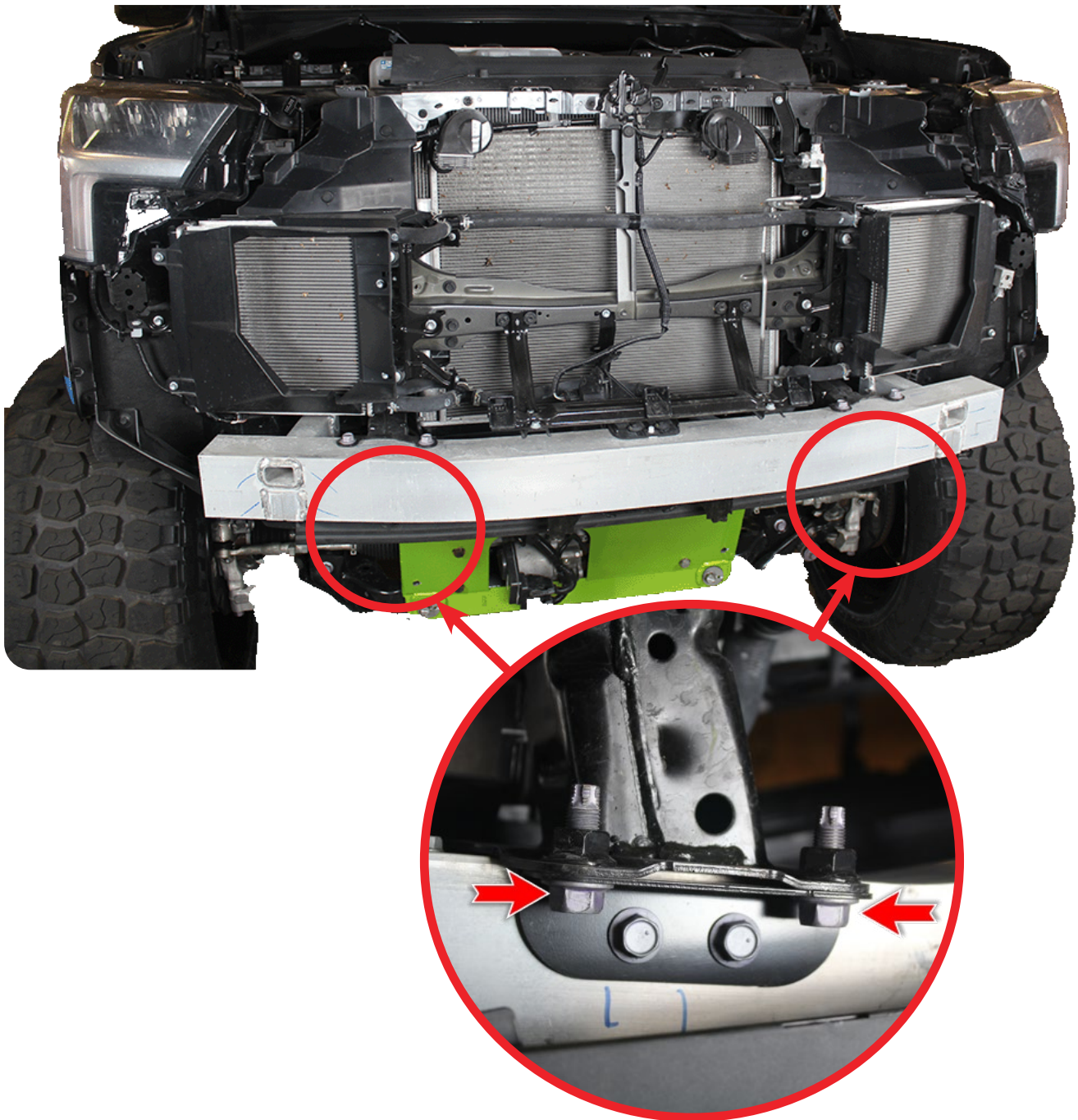


# INSTALLATION GUIDE

STEALTH FIGHTER FRONT BUMPER

22+ / TOYOTA TUNDRA

## REMOVAL



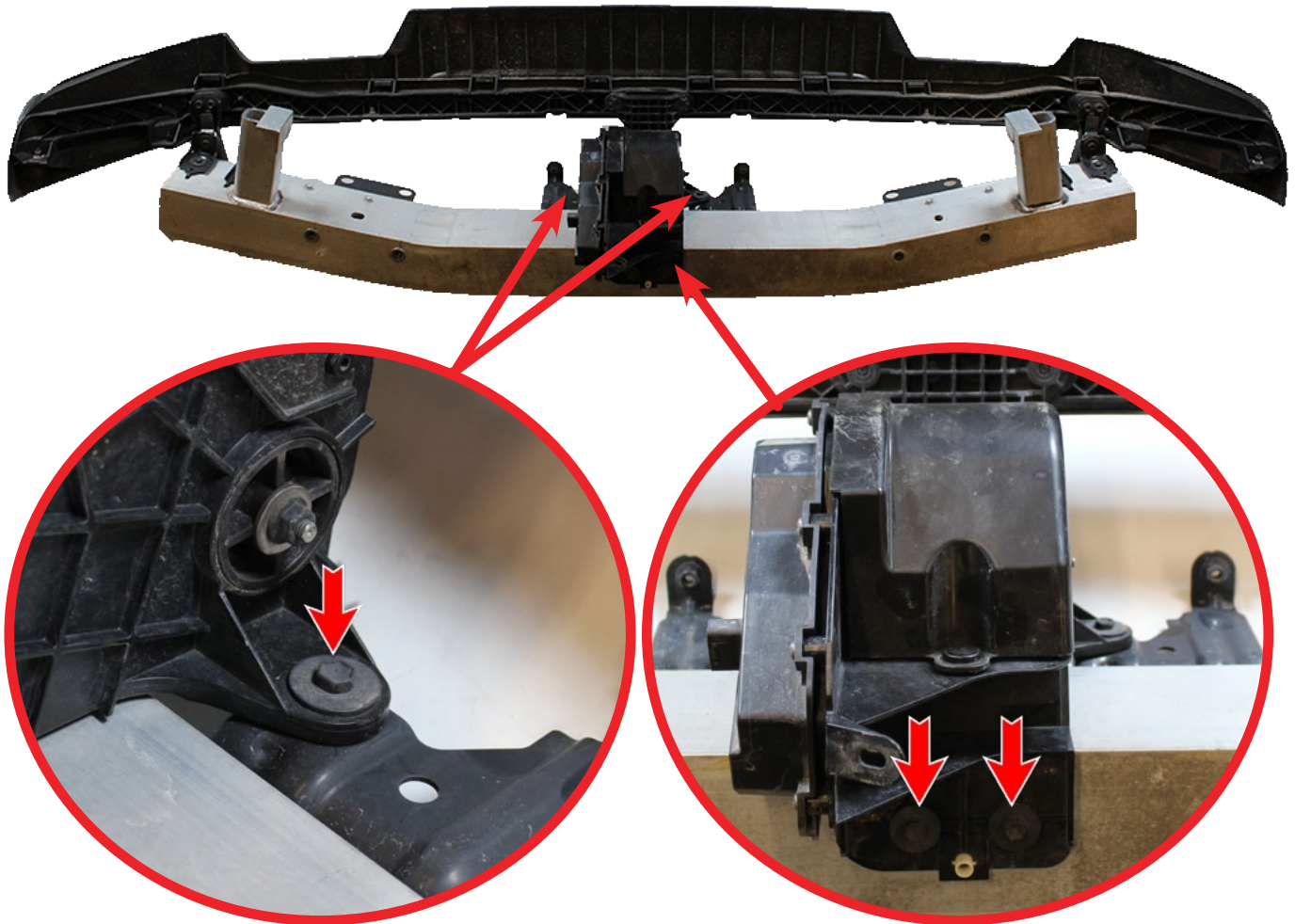
## STEALTH FIGHTER FRONT BUMPER

22+/TOYOTA TUNDRA

### □ STEP 8

Remove the air dam motor by using a (10mm socket). Remove the 6x bolts shown below.

## REMOVAL



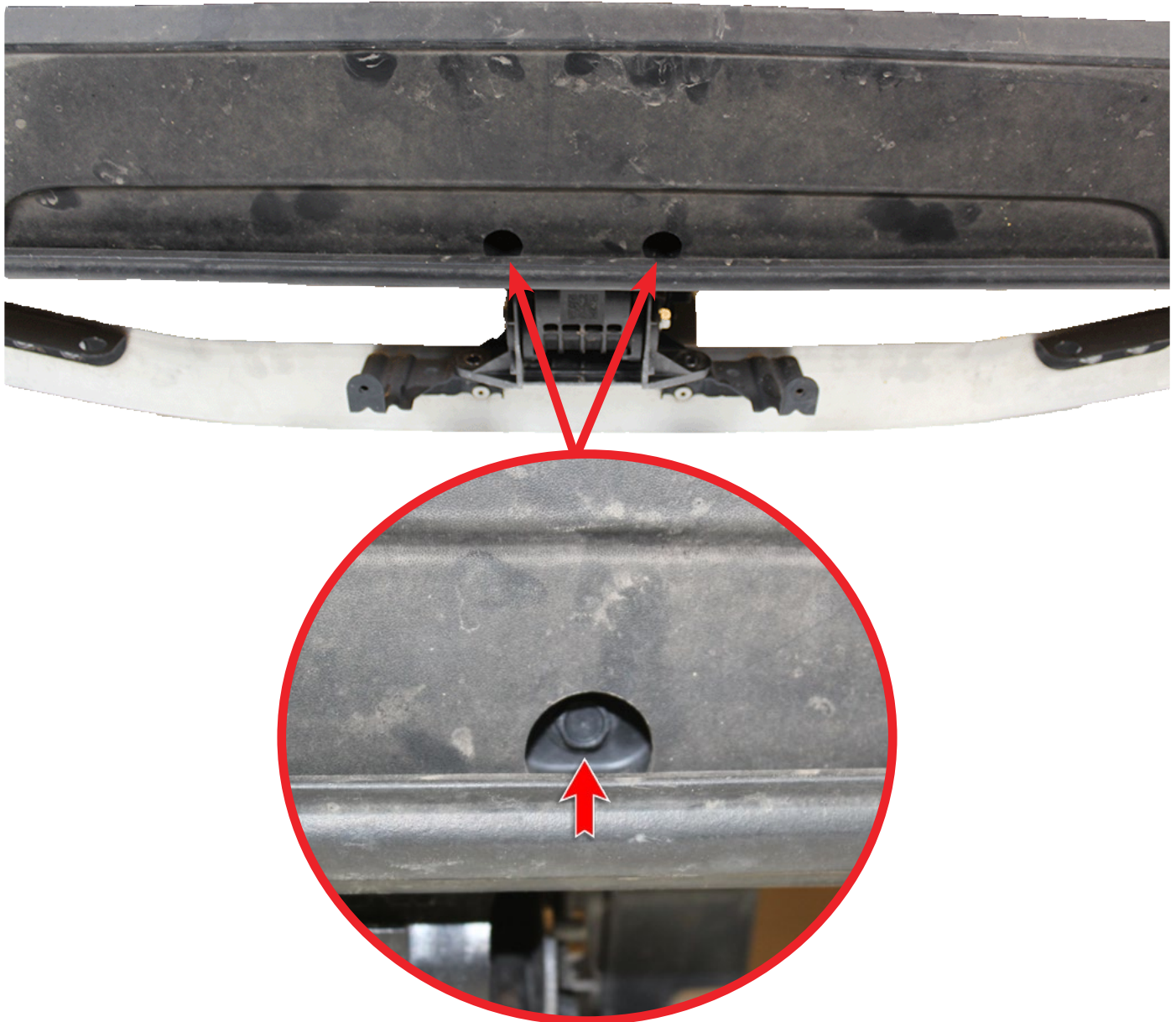
## STEALTH FIGHTER FRONT BUMPER

22+/TOYOTA TUNDRA

### □ STEP 9

Flip the air dam over and remove the 2x bolts from the bottom as shown below using a (10mm socket).

## REMOVAL



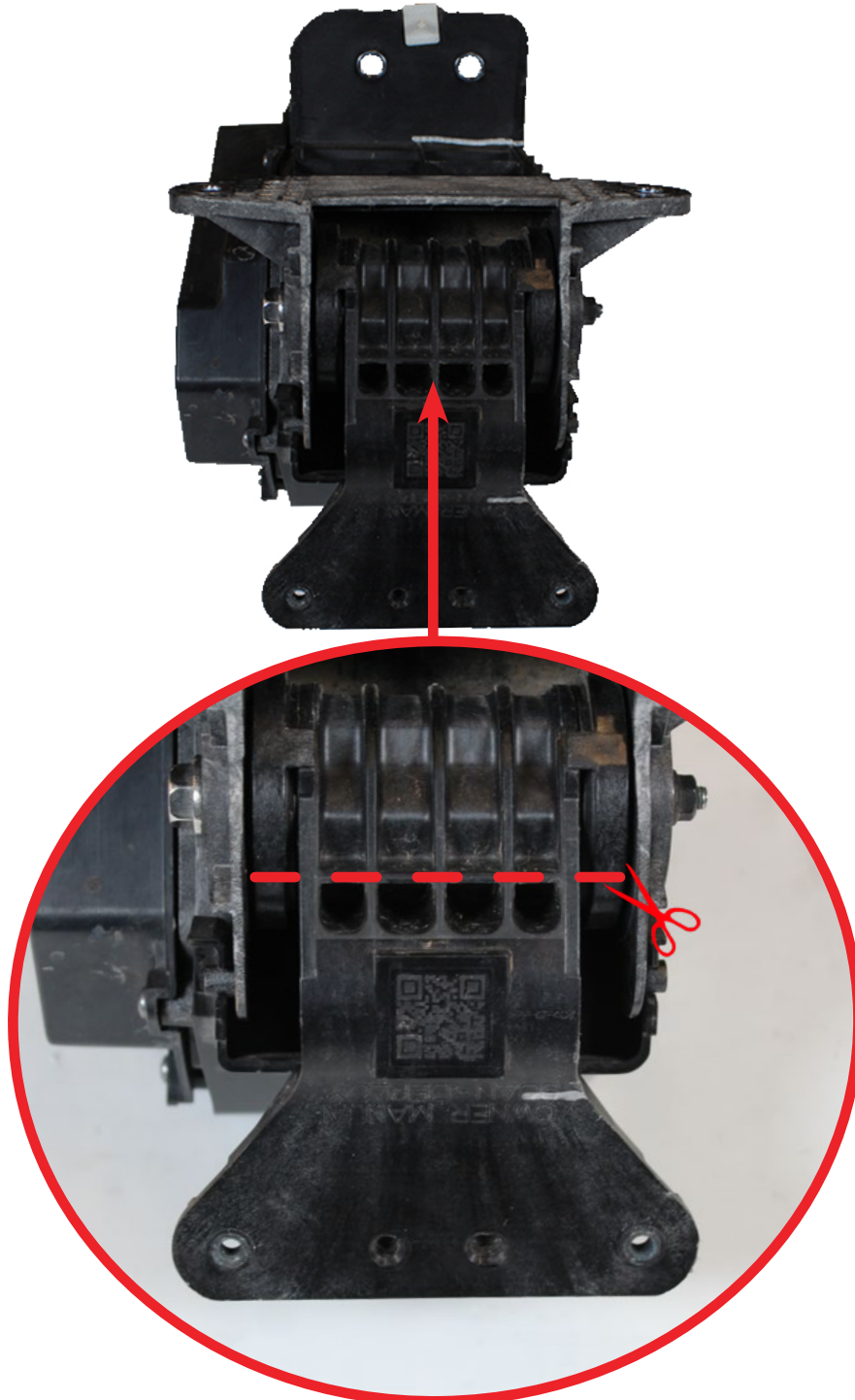
## STEALTH FIGHTER FRONT BUMPER

22+/TOYOTA TUNDRA

### □ STEP 10

After the air dam motor has been removed, cut along the lines as shown below using a (cutoff wheel/jigsaw). **\*\*It is important to cut on the dotted line for clearance\*\***

## REMOVAL



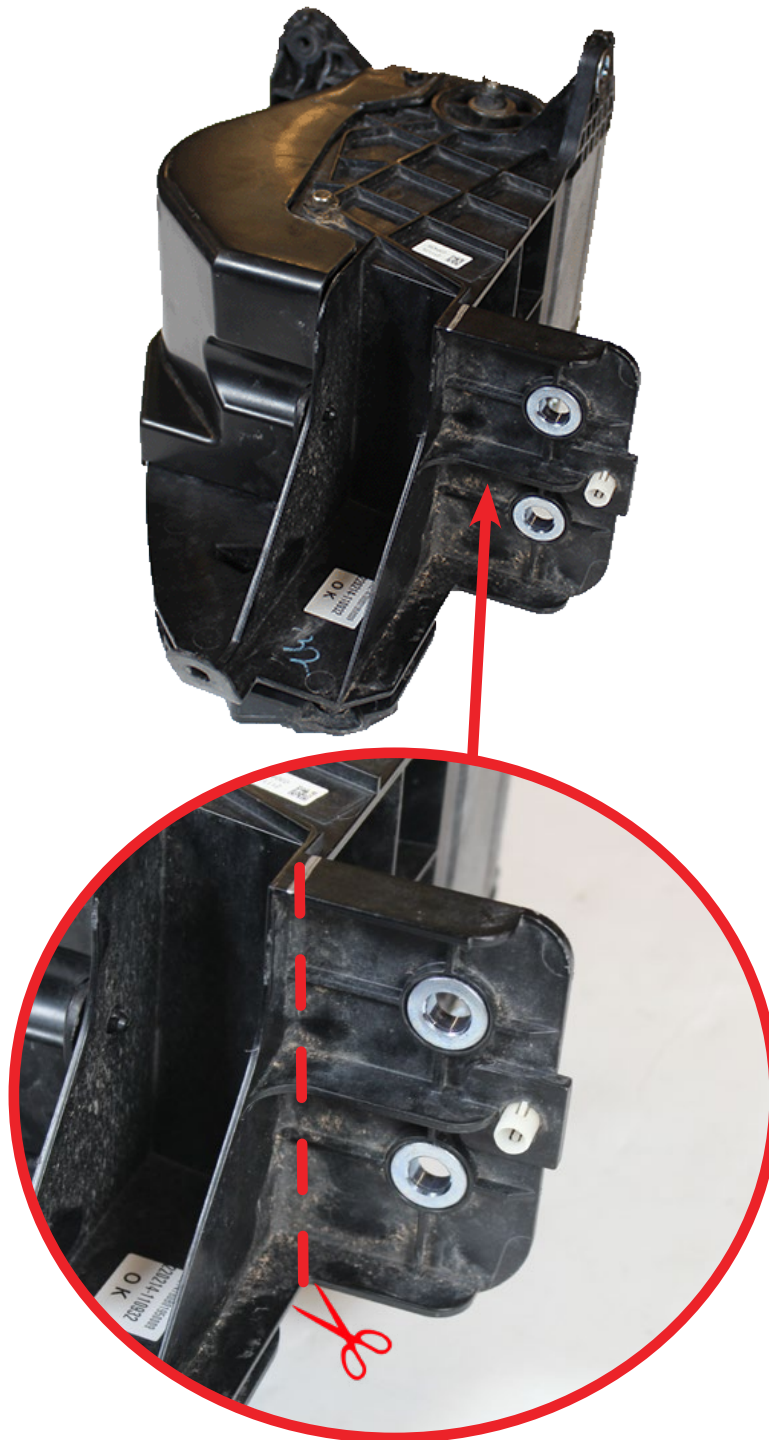


# INSTALLATION GUIDE

STEALTH FIGHTER FRONT BUMPER

22+/TOYOTA TUNDRA

## REMOVAL



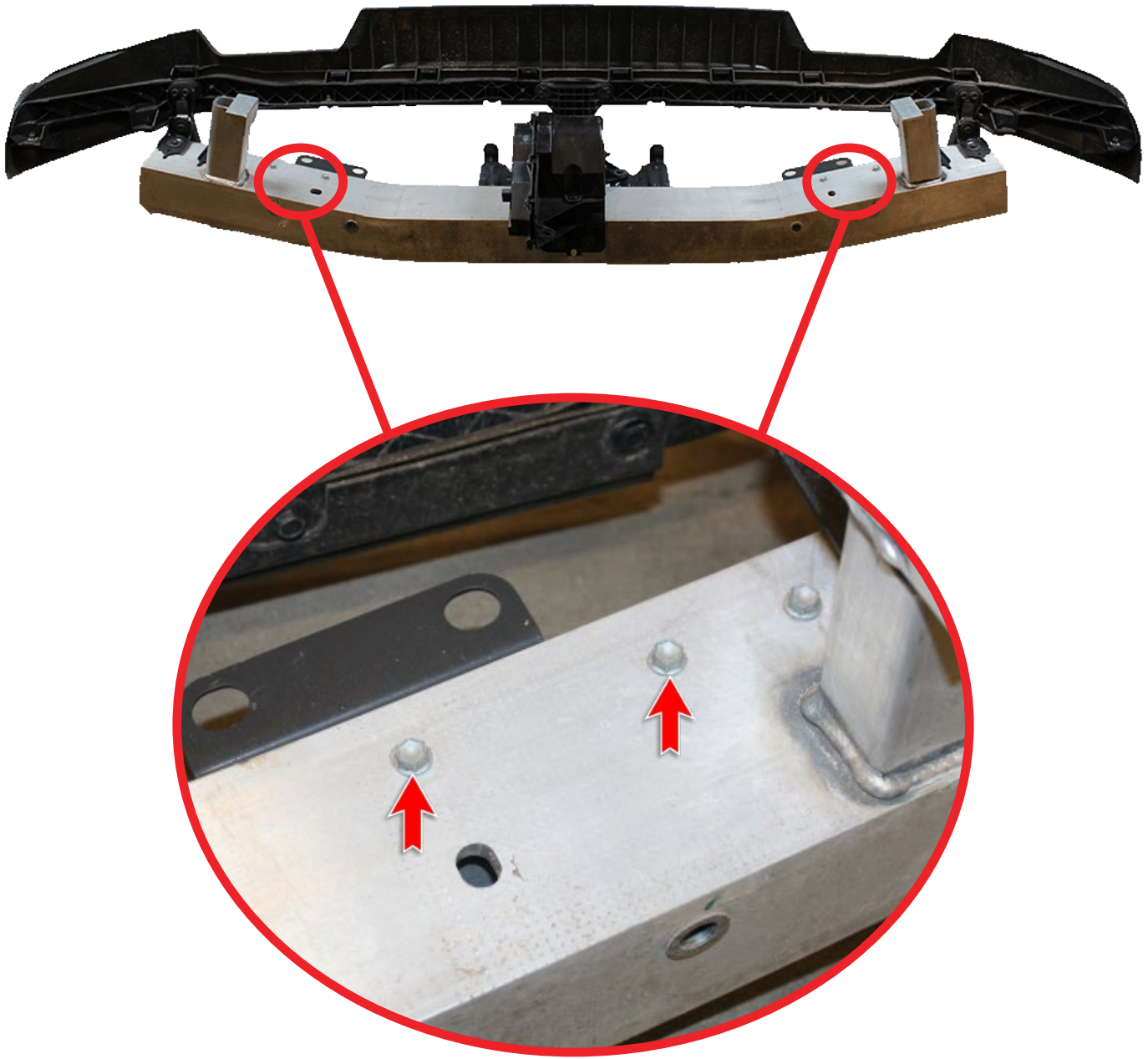
## STEALTH FIGHTER FRONT BUMPER

22+/TOYOTA TUNDRA

### ❑ STEP 11

Remove one out of the four stock bolts shown below using a (10mm socket).

## REMOVAL





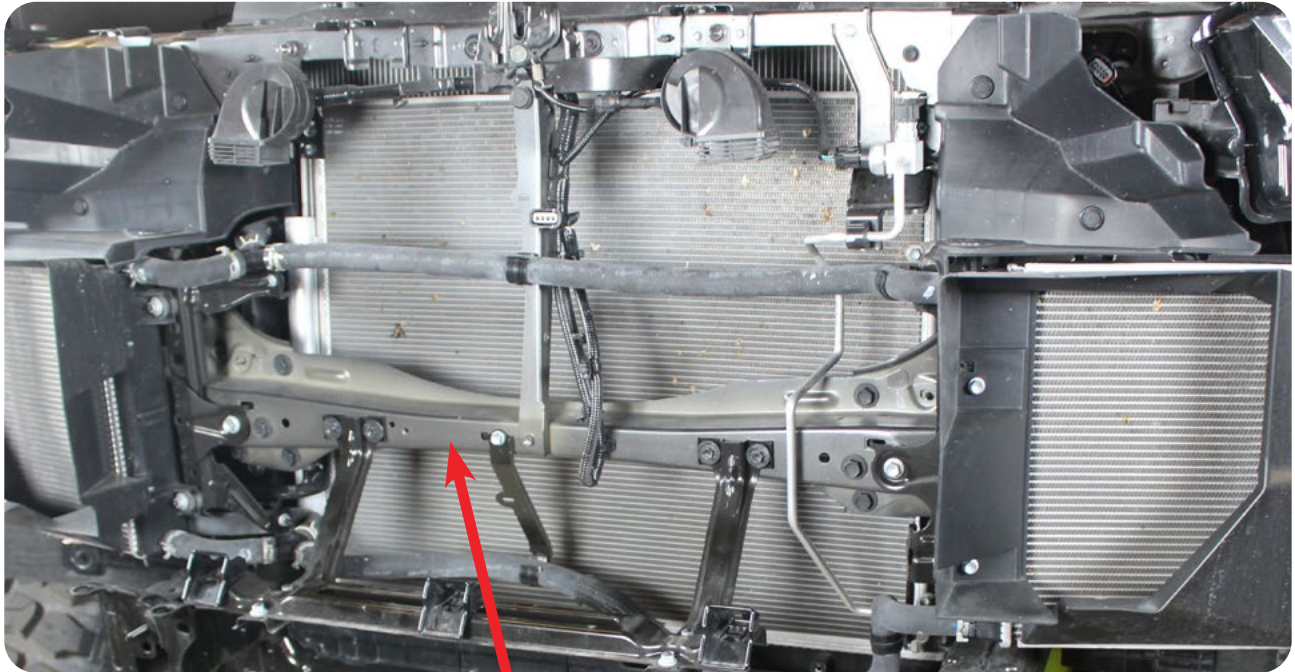
## STEALTH FIGHTER FRONT BUMPER

22+/TOYOTA TUNDRA

### STEP 12

Using the stock bolt taken from **step 11**, install the air dam motor bracket in the existing threaded holes shown below using a (10mm socket).

## INSTALLATION



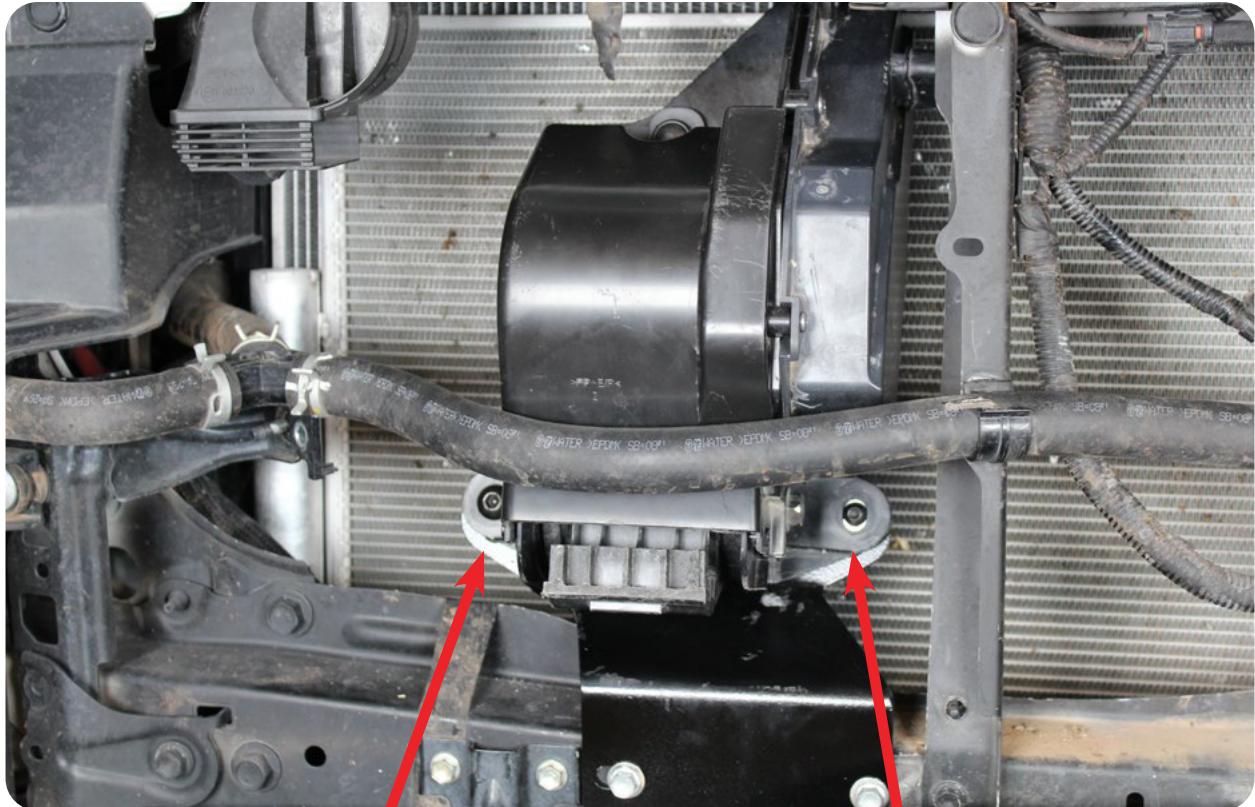
## STEALTH FIGHTER FRONT BUMPER

22+/TOYOTA TUNDRA

### □ STEP 13

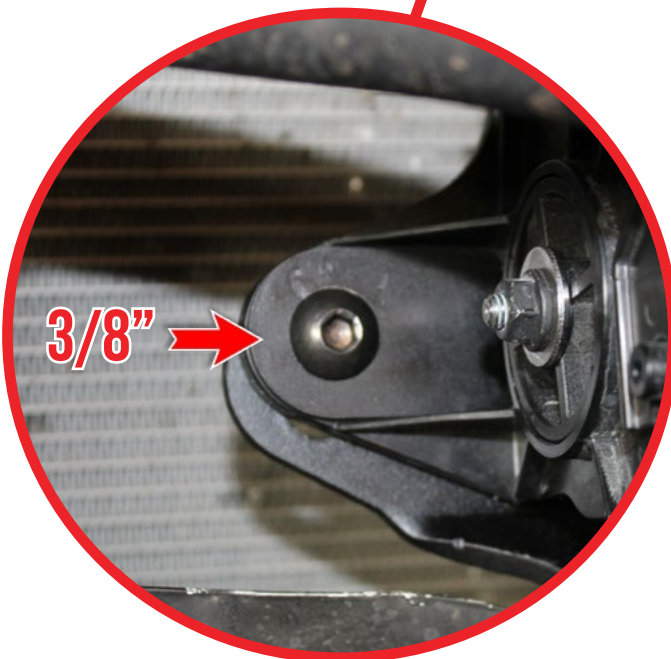
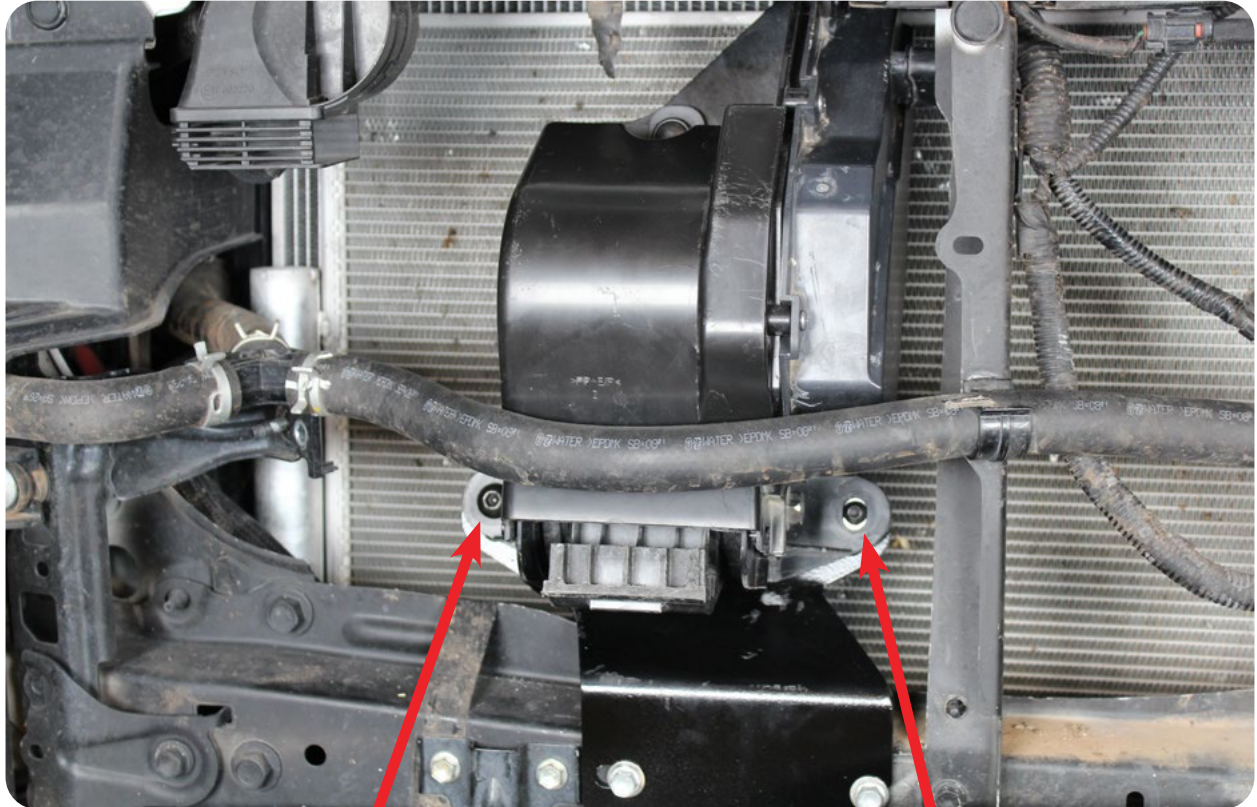
Install the air dam motor using the **provided washers**, and your 3/8" button head bolt, washer, and nylon lock nut using a (7/32 allen) and a (9/16 wrench). And the provided 1/4" button head bolt, washer, and nylon lock nut using a (5/32 allen) and a (7/16 wrench).

## INSTALLATION



## STEALTH FIGHTER FRONT BUMPER 22+/TOYOTA TUNDRA

## INSTALLATION



## STEALTH FIGHTER FRONT BUMPER

22+/TOYOTA TUNDRA

### □ STEP 14

Install the air dam motor top bracket to the top rail and the air dam motor as shown on [page 21](#) using the provided 1/4" button head bolt, washer, and nylon lock nut using a (5/32 allen) and a (7/16 wrench).

## INSTALLATION



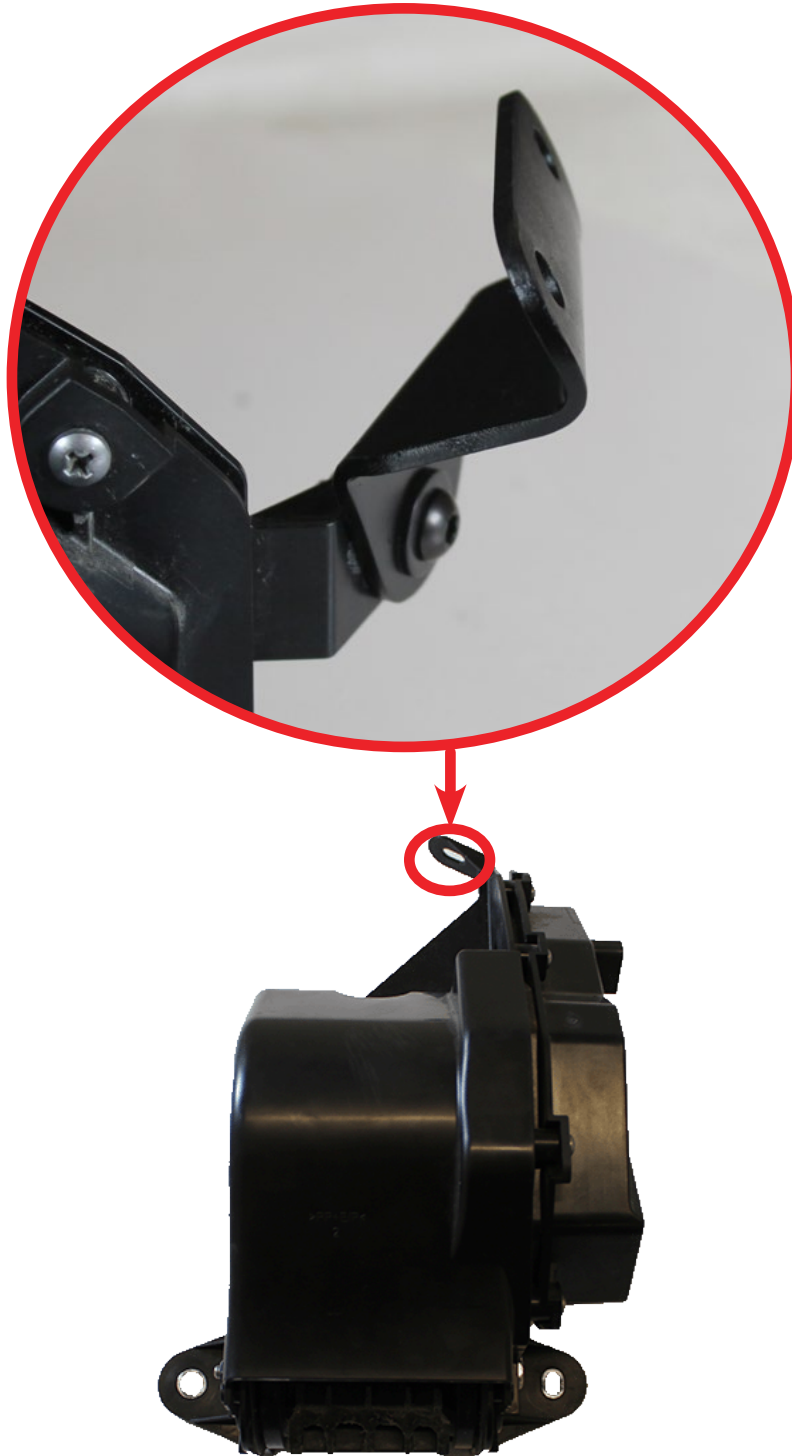


# INSTALLATION GUIDE

STEALTH FIGHTER FRONT BUMPER

22+/TOYOTA TUNDRA

## INSTALLATION





# INSTALLATION GUIDE

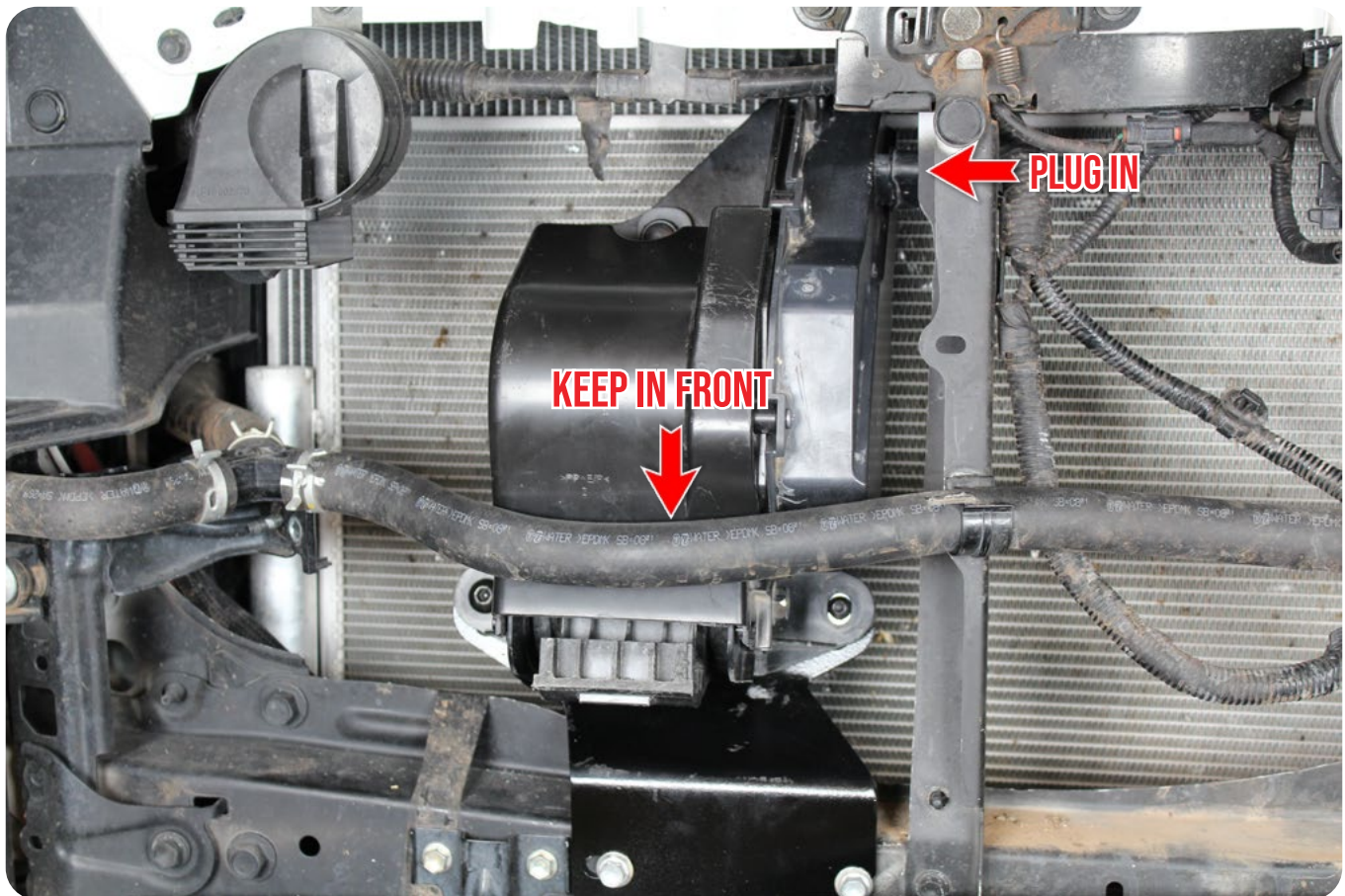
## STEALTH FIGHTER FRONT BUMPER

22+/TOYOTA TUNDRA

### □ STEP 15

Keep the coolant line in front of the motor and plug in your air dam motor before re-installing your grill.

## INSTALLATION



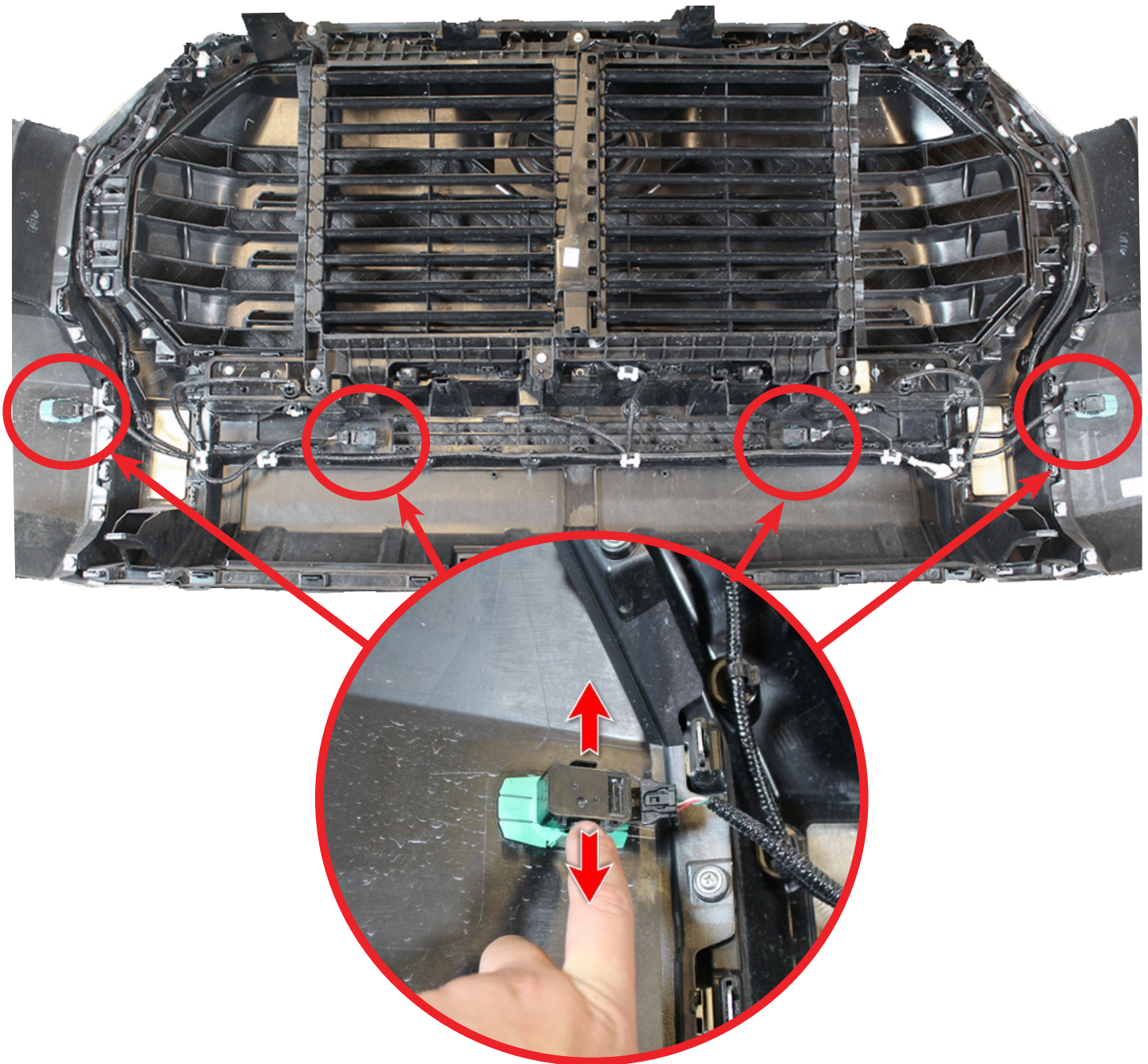
## STEALTH FIGHTER FRONT BUMPER

22+/TOYOTA TUNDRA

### □ STEP 16

Release parking sensors from bezel. **\*\*DO NOT pry tabs hard due to breakage\*\***

## REMOVAL



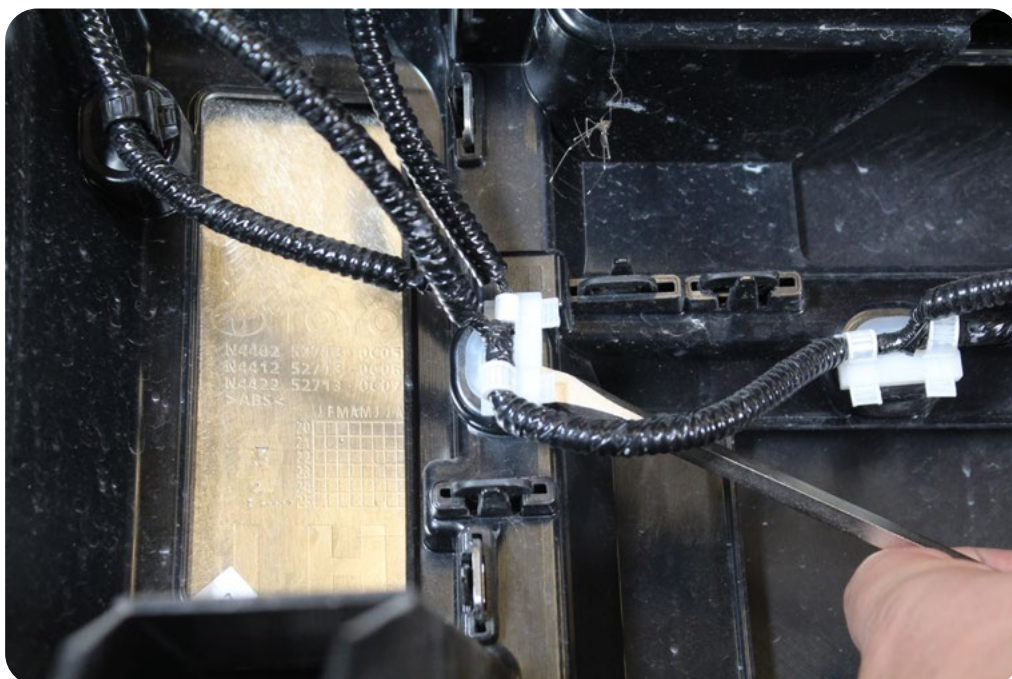
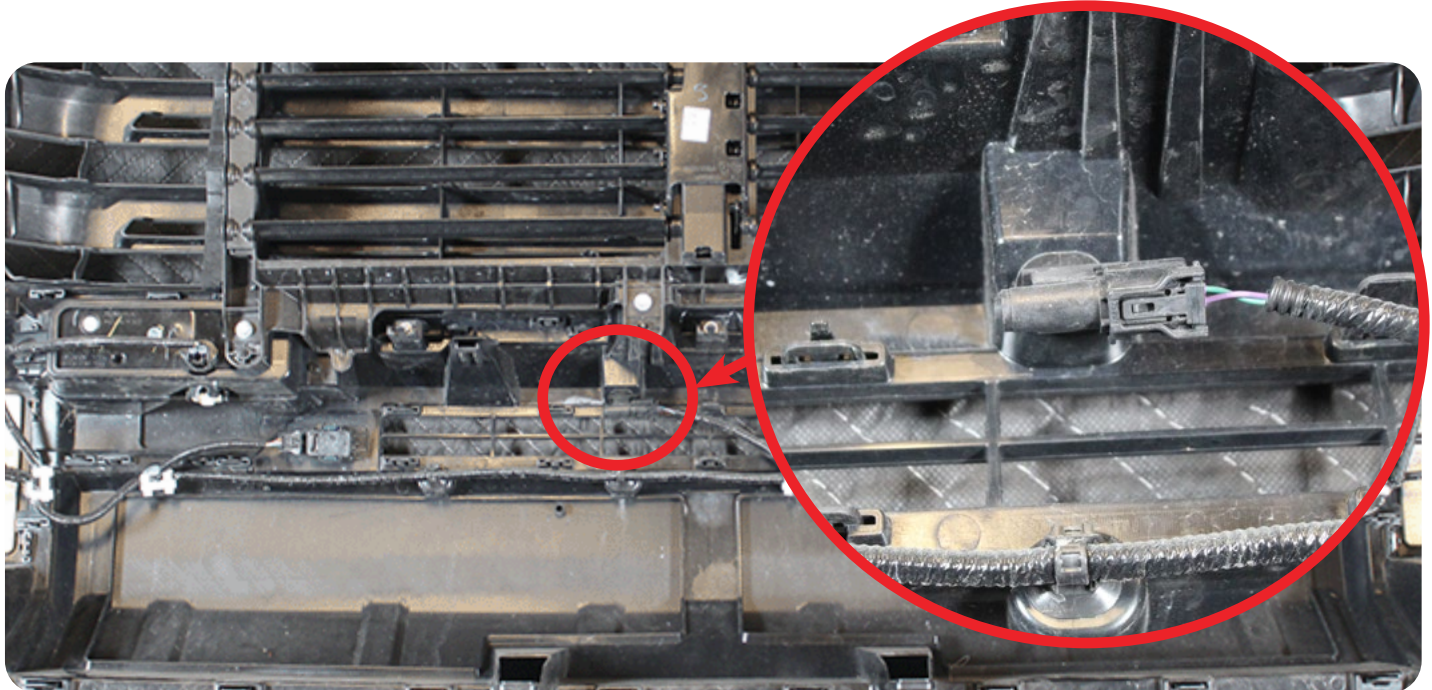
## STEALTH FIGHTER FRONT BUMPER

22+/TOYOTA TUNDRA

### □ STEP 17

Using a (fastener remover/flathead screwdriver) remove the key less entry antenna and all of the wire loom clips. **\*\*Zip tie the sensor towards the top of the grill out of the way before re-install\*\***

## REMOVAL





## STEALTH FIGHTER FRONT BUMPER

22+/TOYOTA TUNDRA

### □ STEP 18

Using a (flathead screwdriver) remove the sensor bezels. **\*\*Be careful not to break tabs on top\*\***

## REMOVAL





# INSTALLATION GUIDE

## STEALTH FIGHTER FRONT BUMPER

22+/TOYOTA TUNDRA

### STEP 19

Install the grill back onto the truck and cut along the lines made from step 1 using a (jigsaw). **\*\*You can clean up the cut by using a palm sander or sandpaper\*\***

## INSTALLATION



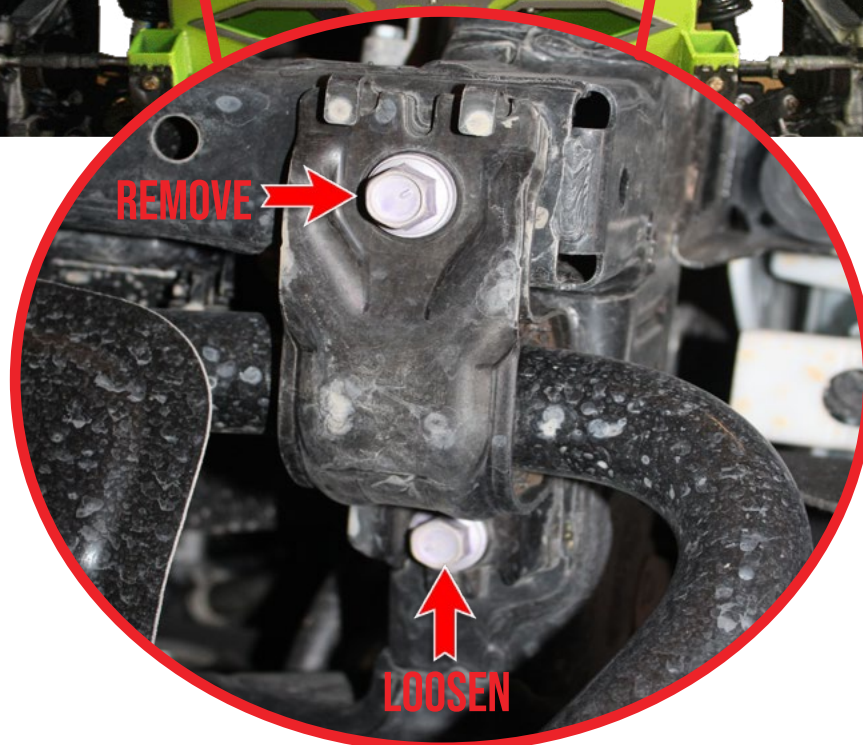
## STEALTH FIGHTER FRONT BUMPER

22+/TOYOTA TUNDRA

### □ STEP 20

Install the winch mount by loosening the sway bar brackets for the bottom mounting holes using a (17mm socket). You will slip the mount above the bracket as shown on page 25 and reinstall with stock bolts. **\*\*DO NOT remove the bracket completely\*\***

## INSTALLATION



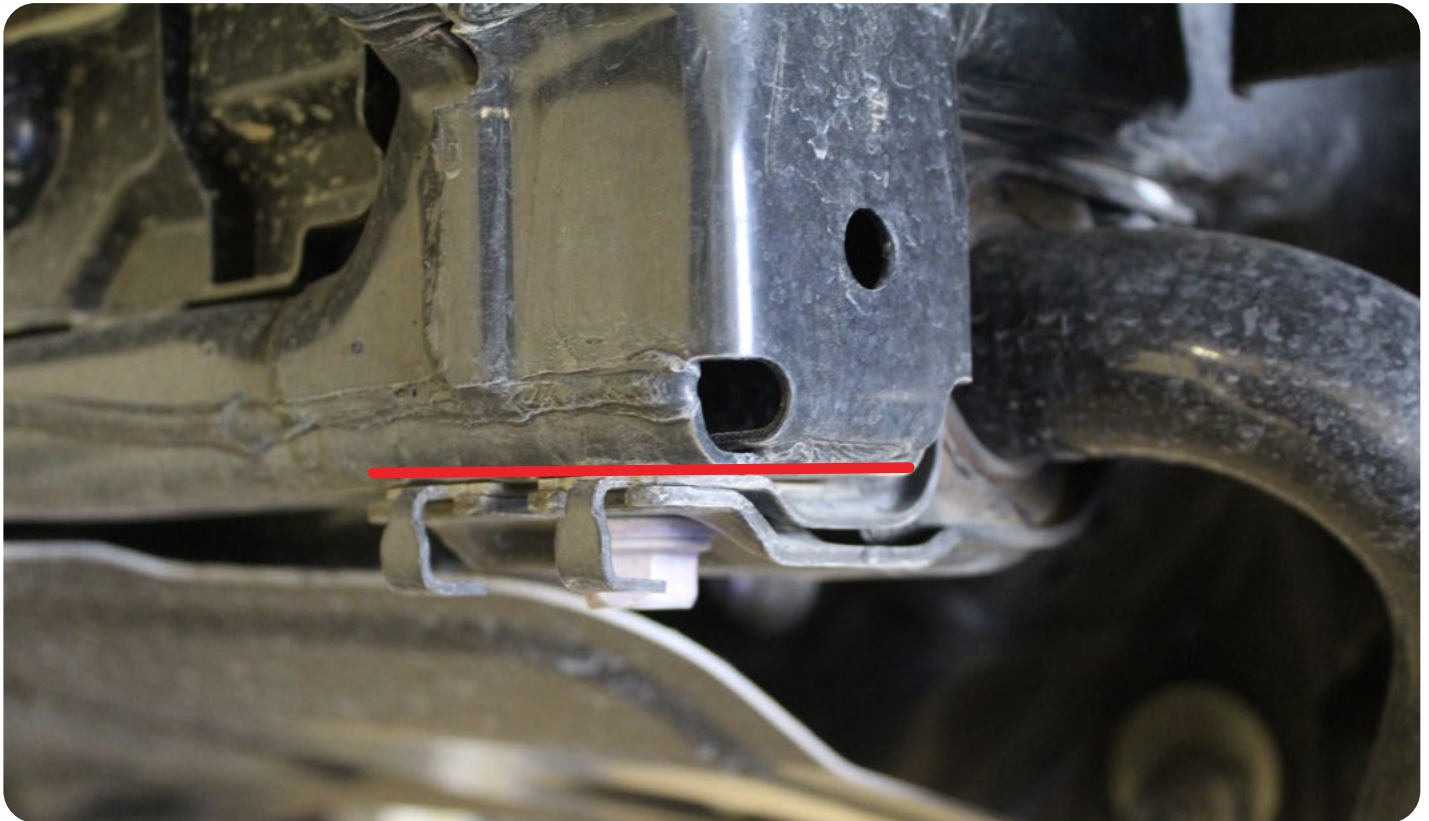


# INSTALLATION GUIDE

STEALTH FIGHTER FRONT BUMPER

22+/TOYOTA TUNDRA

## INSTALLATION





# INSTALLATION GUIDE

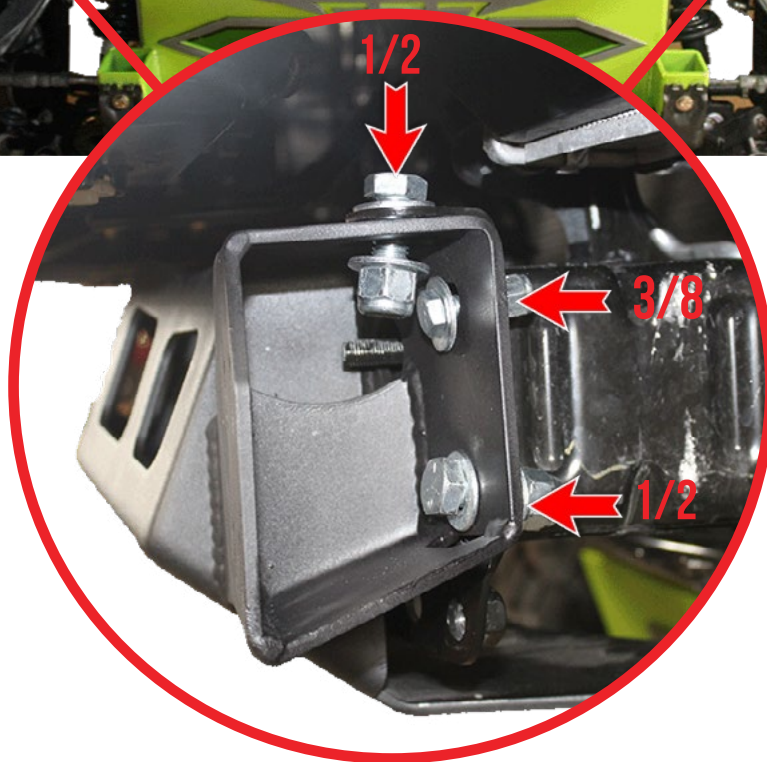
## STEALTH FIGHTER FRONT BUMPER

22+/TOYOTA TUNDRA

### □ STEP 21

Next install the provided 3/8 bolts, nylon lock nuts, and washers on the middle hole by using a (9/16 socket and 9/16 wrench). Then install the provided 1/2" bolts, nylon lock nuts, and washers on the top hole and bottom using a (3/4 socket) and a (3/4 wrench).

## INSTALLATION



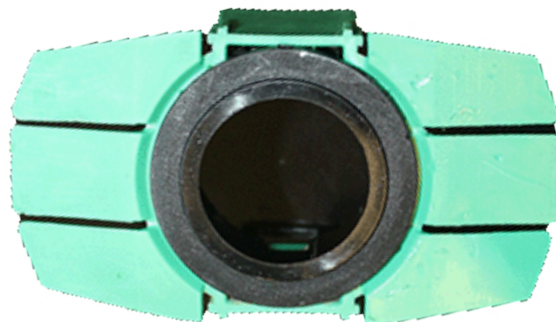
## STEALTH FIGHTER FRONT BUMPER

22+/TOYOTA TUNDRA

## INSTALLATION

### STEP 22

Remove double sided tape from the bezel until the surface is clear of residue.



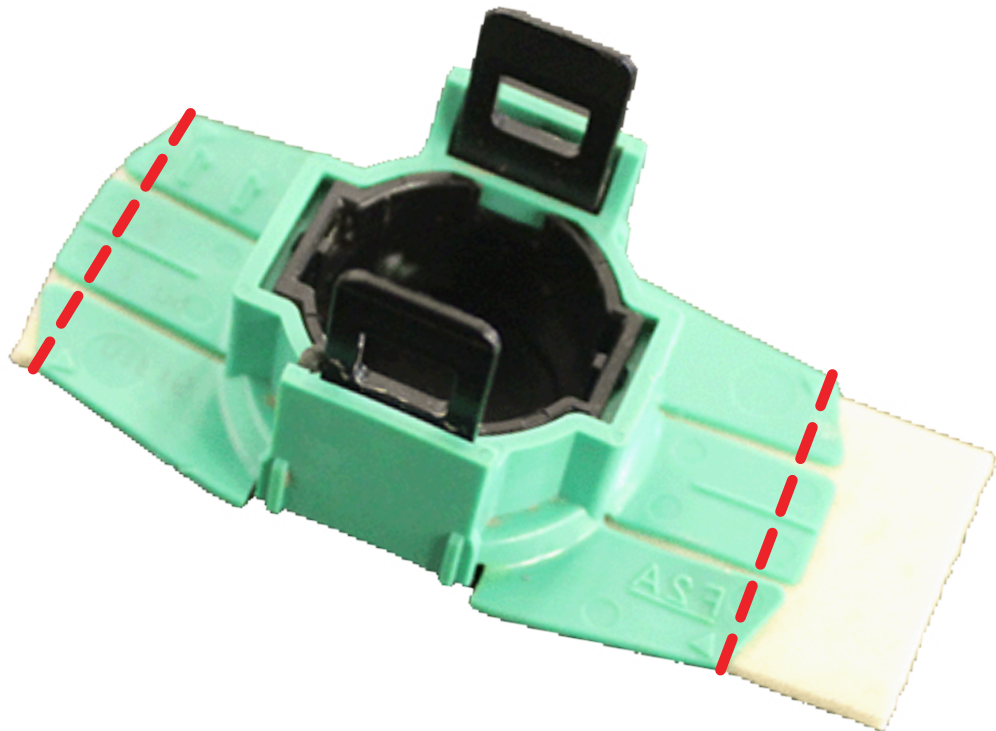
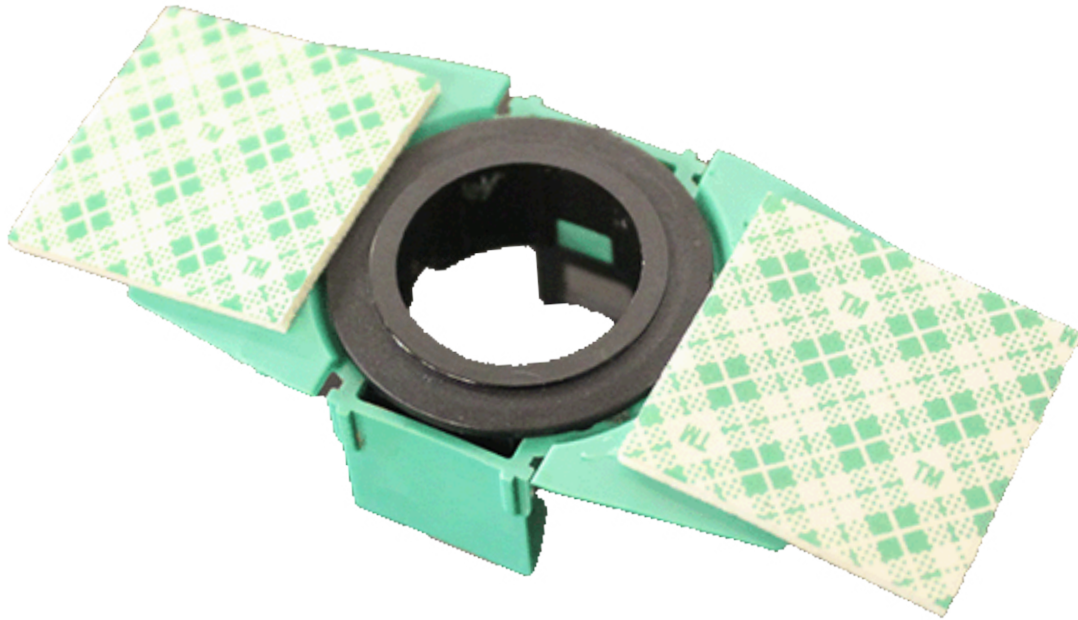
## STEALTH FIGHTER FRONT BUMPER

22+/TOYOTA TUNDRA

## INSTALLATION

### □ STEP 23

Install 3m double sided tape to each side of the bezel wings and trim excess with a (razor blade).



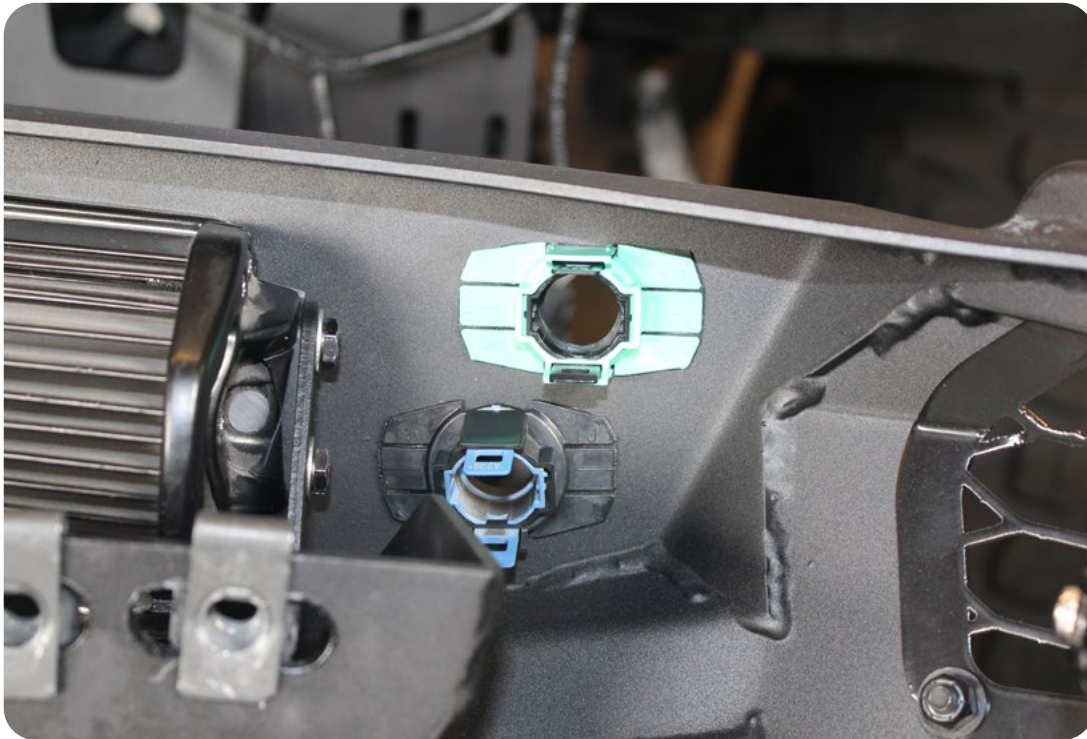
## STEALTH FIGHTER FRONT BUMPER

22+/TOYOTA TUNDRA

### □ STEP 24

Place the sensor bezels in the orientation provide in the pictures below.

## INSTALLATION







# INSTALLATION GUIDE

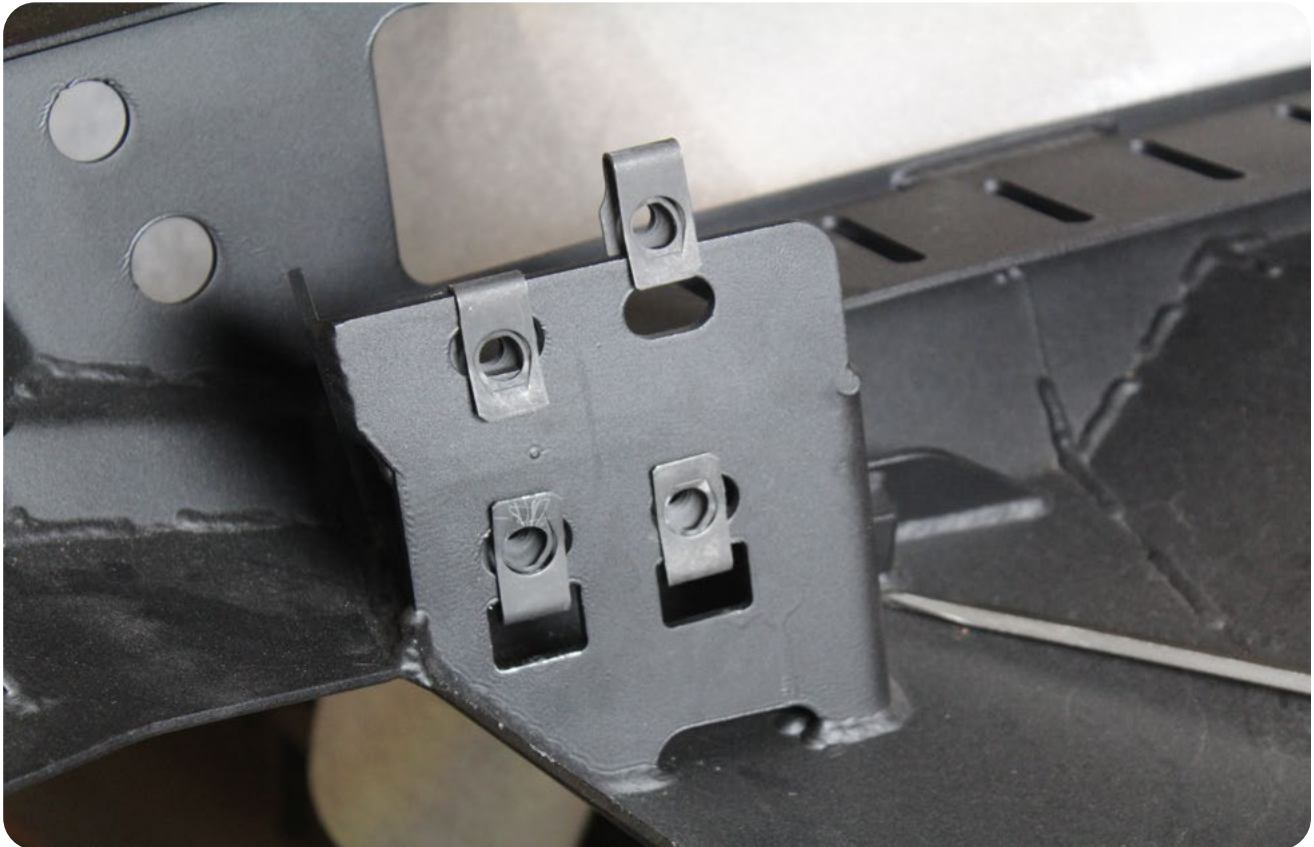
## STEALTH FIGHTER FRONT BUMPER

22+/TOYOTA TUNDRA

### STEP 25

Install the provided 3/8 nut clips. (Repeat on other side)

## INSTALLATION





# INSTALLATION GUIDE

## STEALTH FIGHTER FRONT BUMPER

22+/TOYOTA TUNDRA

### □ STEP 26

Remove the zip ties you used in **step 9** and let the wire harness hang before installing the bumper.

## INSTALLATION





# INSTALLATION GUIDE

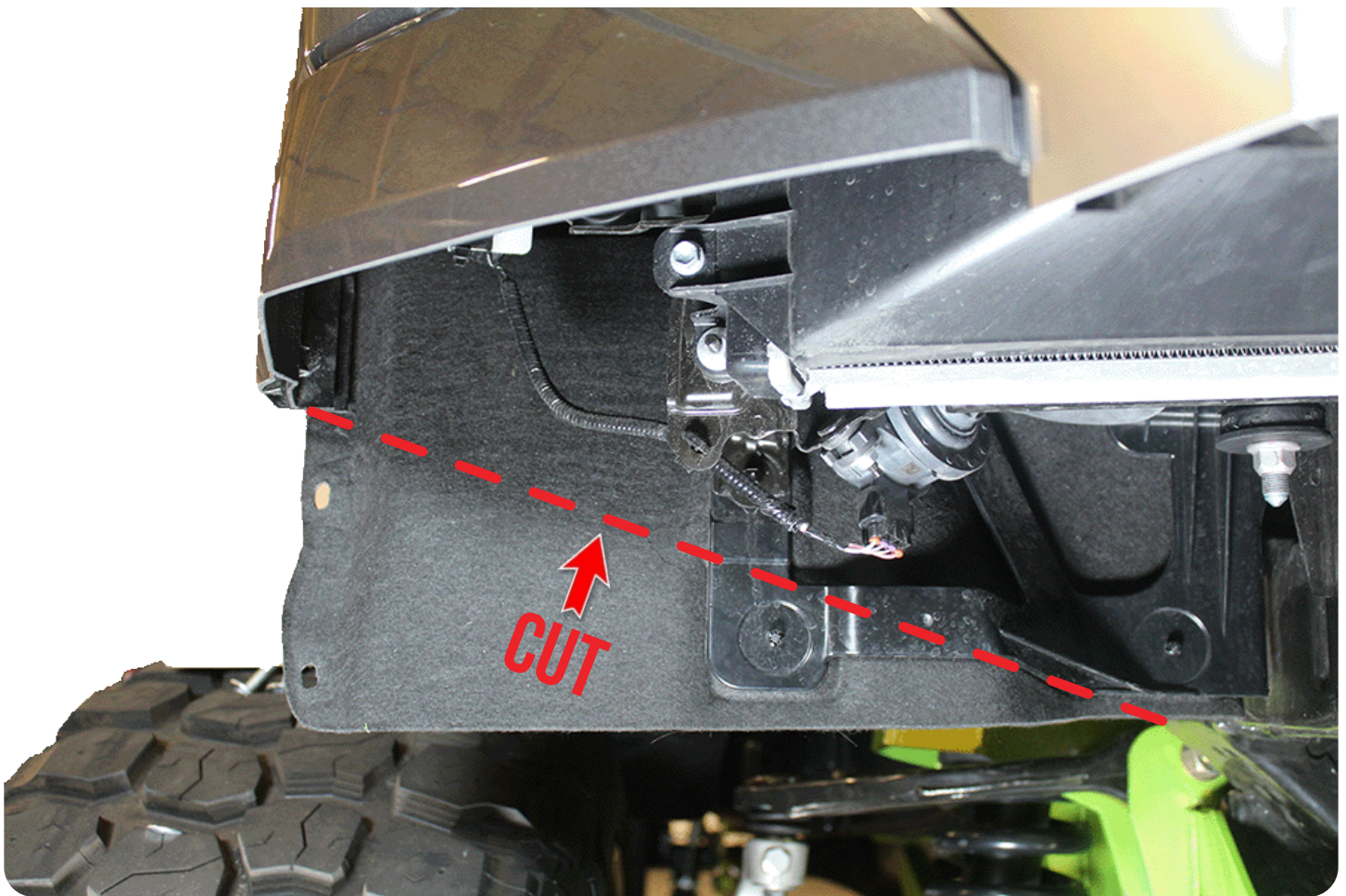
## STEALTH FIGHTER FRONT BUMPER

22+/TOYOTA TUNDRA

### STEP 27

Cut the liner inside the wheel well using a (razor blade/scissors).

## INSTALLATION





# INSTALLATION GUIDE

## STEALTH FIGHTER FRONT BUMPER

22+/TOYOTA TUNDRA

### STEP 28

Using a (9/16 wrench/socket) Install the bumper using the provided 3/8 bolts, and washers.

## INSTALLATION





# INSTALLATION GUIDE

## STEALTH FIGHTER FRONT BUMPER

22+/TOYOTA TUNDRA

## INSTALLATION

### STEP 29

Stand back and enjoy your new ADD Stealth Fighter™ Front Bumper.

Check and re-tighten, if needed, all mounting bolts after 100 miles and periodically thereafter.



THIS PRODUCT IS PROTECTED BY ONE OR MORE U.S. PATENTS  
[WWW.ADDICTIVEDESERTDESIGNS.COM/PATENTS](http://WWW.ADDICTIVEDESERTDESIGNS.COM/PATENTS)

FOR ADDITIONAL SUPPORT OR TECHNICAL QUESTIONS,  
PLEASE CALL 480-671-0820 OR  
EMAIL [INFO@ADDICTIVEDESERTDESIGNS.COM](mailto:INFO@ADDICTIVEDESERTDESIGNS.COM)